



HK

HONG KONG

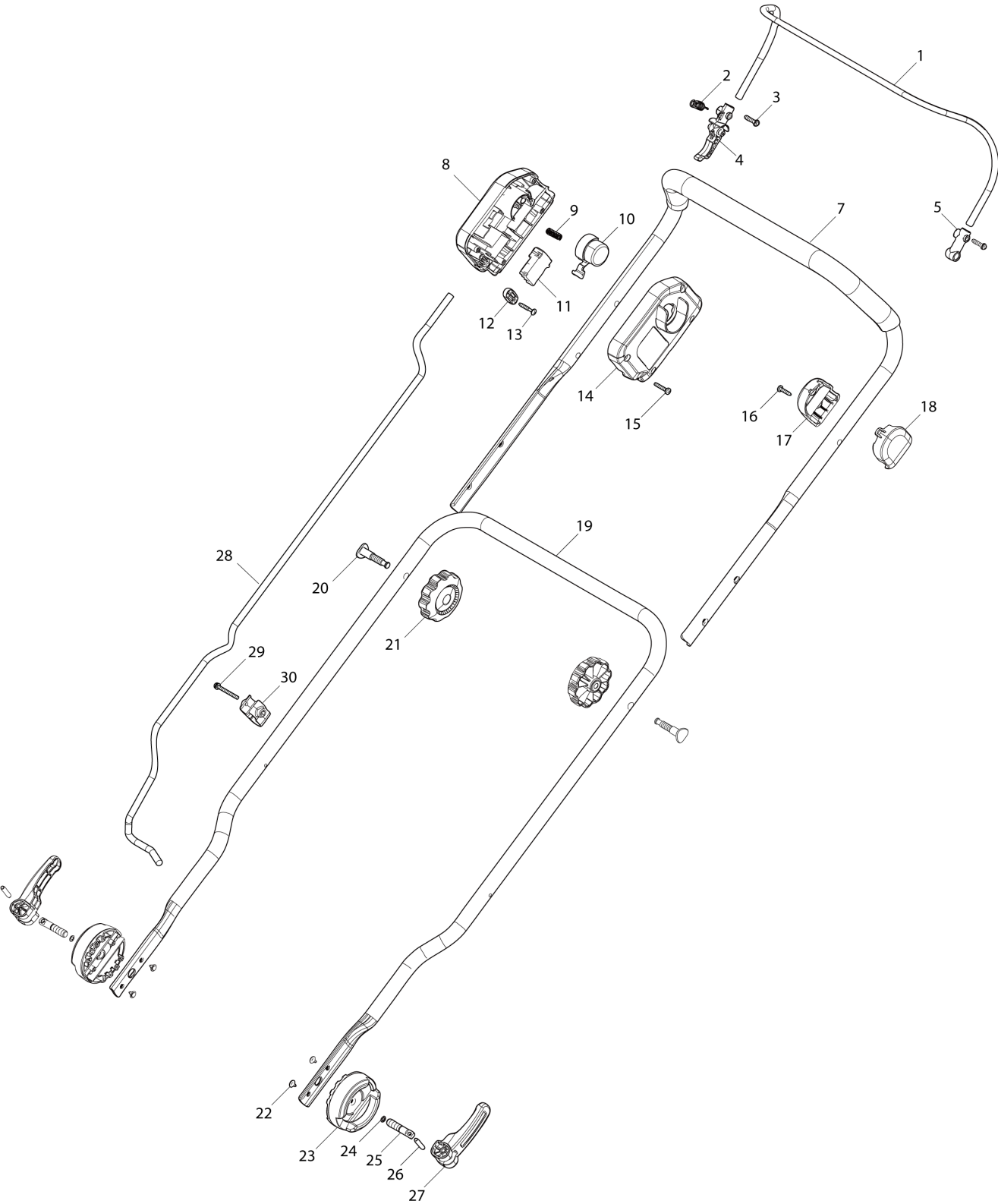
Diagram / Parts List

LM003G

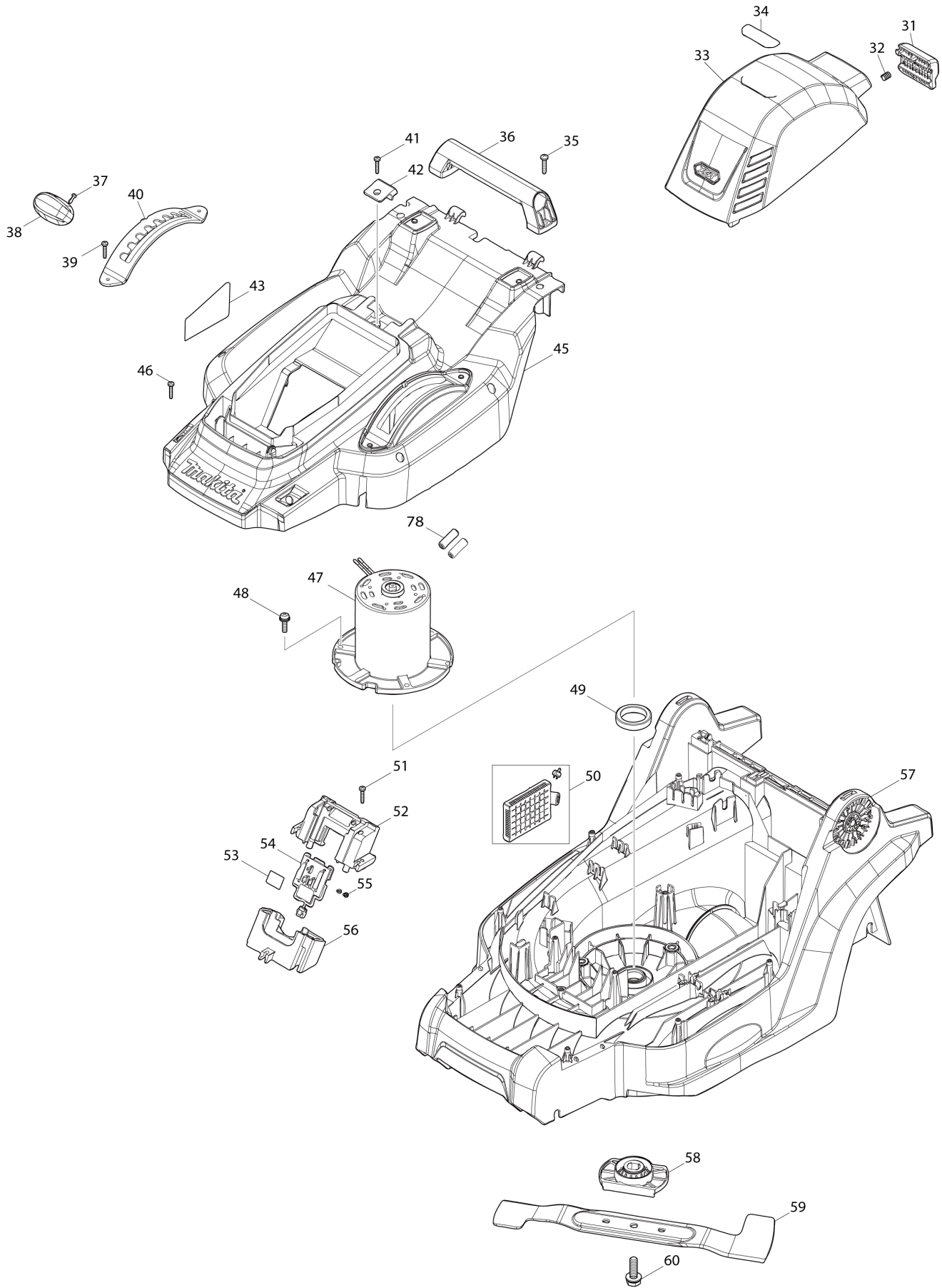
380MM CORDLESS LAWN MOWER



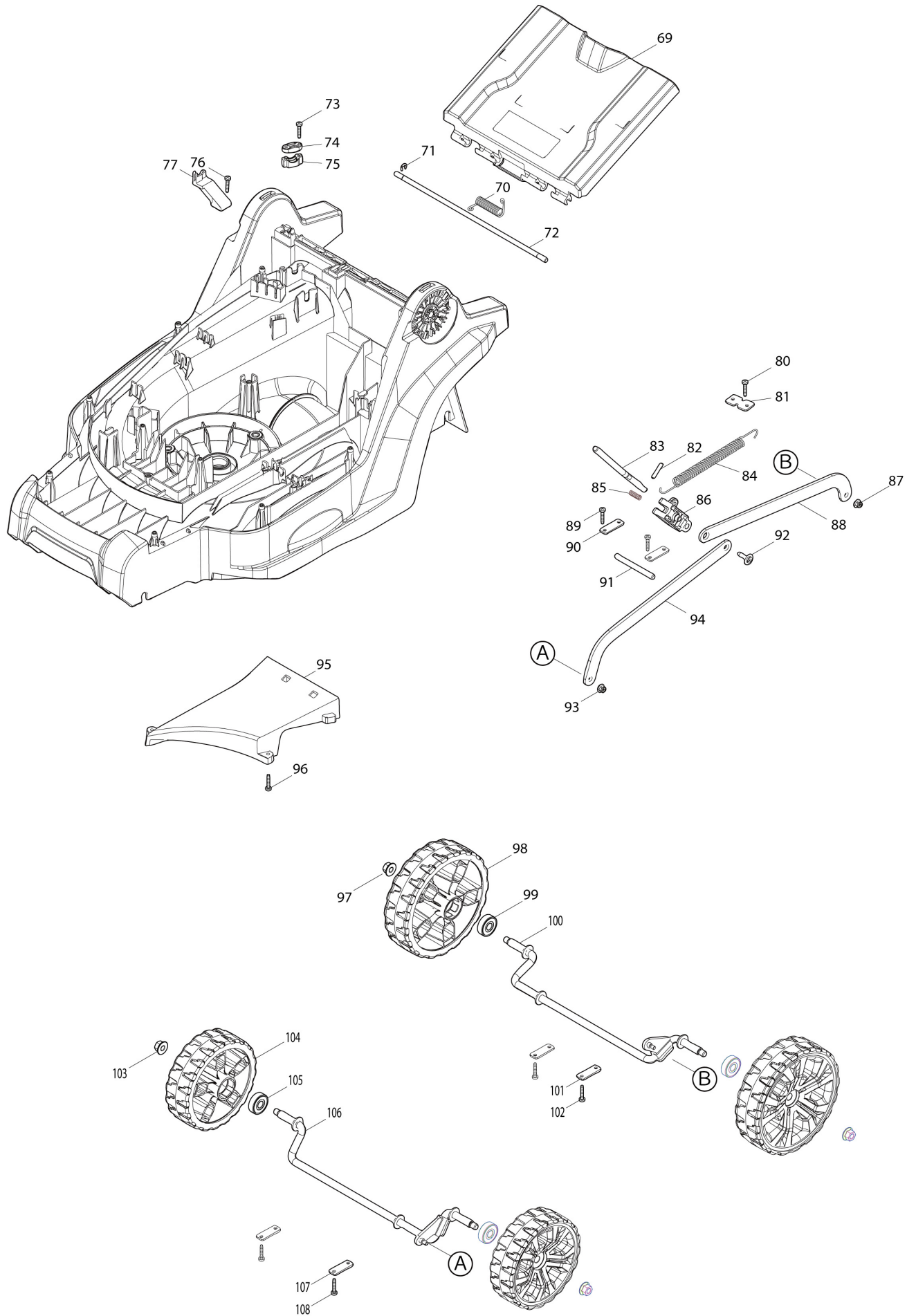
(HK) LM003G / 380MM CORDLESS LAWN MOWER



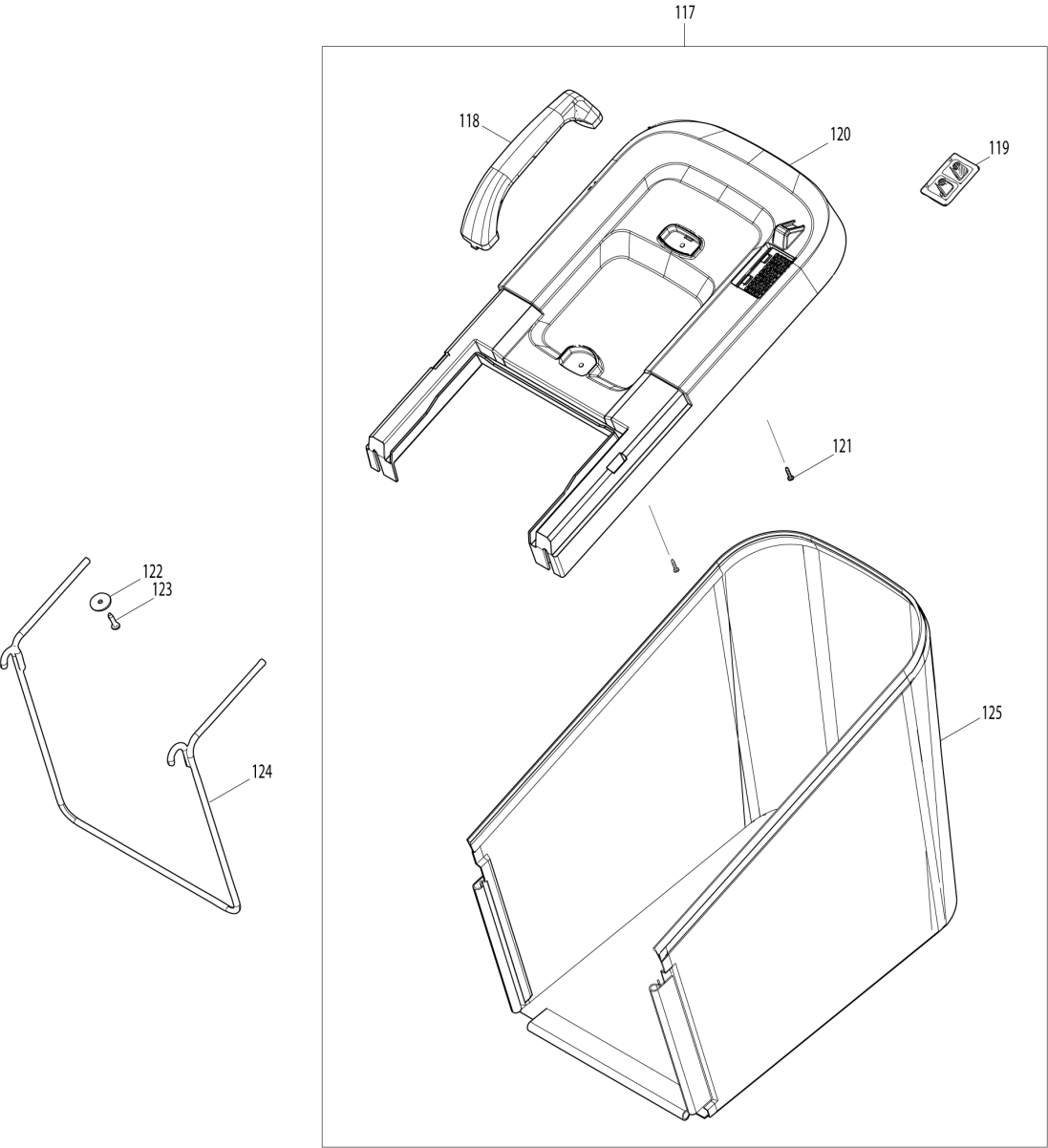
(HK) LM003G / 380MM CORDLESS LAWN MOWER



(HK) LM003G / 380MM CORDLESS LAWN MOWER



(HK) LM003G / 380MM CORDLESS LAWN MOWER



HK

HONG KONG

LM003G / 380MM CORDLESS LAWN MOWER

Item	Sub	Parts No.	Parts Description	Qty	I/C	E/C No.	Close No.	Remark
001		327C33-1	SWITCH LEVER	1				
002		232814-1	TENSION SPRING 7	1				
003		911138-5	P.H.SCREW M4X20 WITH WR	2				
004		455075-8	LEVER	1				
005		455078-2	ARM	1				
007		141T11-7	UPPER PIPE COMPLETE	1				
008		1830C3-1	SWITCH BOX SET	1				
	C10	8053U7-4	INDICATION LABEL	1				
	D10		INC. 14					
009		233068-3	COMPRESSION SPRING 6	1				
010		455074-0	SWITCH BUTTON	1				
011		650041-2	SWITCH TG772BDS-1	1				
012		687124-5	STRAIN RELIEF	1				
013		265999-8	TAPPING SCREW 4X25	2				
014		1830C3-1	SWITCH BOX SET	1				
	C10	8053U7-4	INDICATION LABEL	1				
	D10		INC. 8					
015		266424-2	TAPPING SCREW 4X20	4				
016		266326-2	TAPPING SCREW 4X18	1				
017		456352-1	SWITCH LEVER CASE COVER	1				
018		456351-3	SWITCH LEVER CASE	1				
019		327C30-7	LOWER PIPE	1				
020		265C08-1	FLAT HEAD BOLT M8X50	2				
021		265C06-5	THUMB NUT M8	2				
022		265B81-5	TAPPING SCREW FLANGE 3X6	4				
023		413T46-1	SUPPORT	2				
024		213877-6	O-RING 6	2				
025		327C36-5	LOCK PIN	2				
026		951119-7	SPRING PIN 4-24	2				
027		413T47-9	LEVER	2				
028		699230-4	POWER SUPPLY CORD UNIT	1				
029		911163-6	PAN HEAD SCREW M4X35	1				
030		413944-9	CLAMP	1				
	C10	931102-0	HEX. NUT M4	1				
031		413B03-1	LOCK LEVER	1				
032		231037-8	COMPRESSION SPRING 7	1				
033		141T10-9	BATTERY COVER COMPLETE	1				
034		8071M8-0	INDICATION LABEL	1				
035		266459-3	TAPPING SCREW 5X25	2				
036		273675-0	GRIP A	1				
037		266816-5	+ PAN HEAD SCREW M3X12 WITH WR	2				
038		413939-2	HEIGHT ADJUST LEVER GRIP	1				
039		266424-2	TAPPING SCREW 4X20	2				
040		162C76-4	HEIGHT ADJUST PLATE	1				
041		266424-2	TAPPING SCREW 4X20	1				
042		413T52-6	HOOK	1				
043		8142A8-5	LM003G NAME PLATE	1				
045		137034-1	COWLING ASS'Y	1				
046		266424-2	TAPPING SCREW 4X20	8				
047		629C41-1	DC MOTOR	1				
048		265A53-4	+ PAN HEAD SCREW M6X22 WITH WR	3				
049		688238-3	LINE FILTER	1				
050		620M32-5	CONTROLLER	1				
051		266424-2	TAPPING SCREW 4X20	3				
052		1830A2-9	TERMINAL HOUSING SET	1				
	C10	263005-3	RUBBER PIN 6	2				
	D10		INC. 56					
053		8142B3-2	LM003G SERIAL NO. LABEL	1				
054		632T08-2	TERMINAL UNIT	1				
055		652031-1	PAN HEAD SCREW M3X6	2				
056		1830A2-9	TERMINAL HOUSING SET	1				
	C10	263005-3	RUBBER PIN 6	2				
	D10		INC. 52					
057		413T39-8	DECK	1				
058		413T45-3	BLADE SUPPORT	1				

Z:LM003GZ(N)

Interchange

O : Yes

X : No

< : the new part can be substituted for the current.

> : the current part can be substituted for the new.

S : Interchangeable as a set.

