



HK

HONG KONG

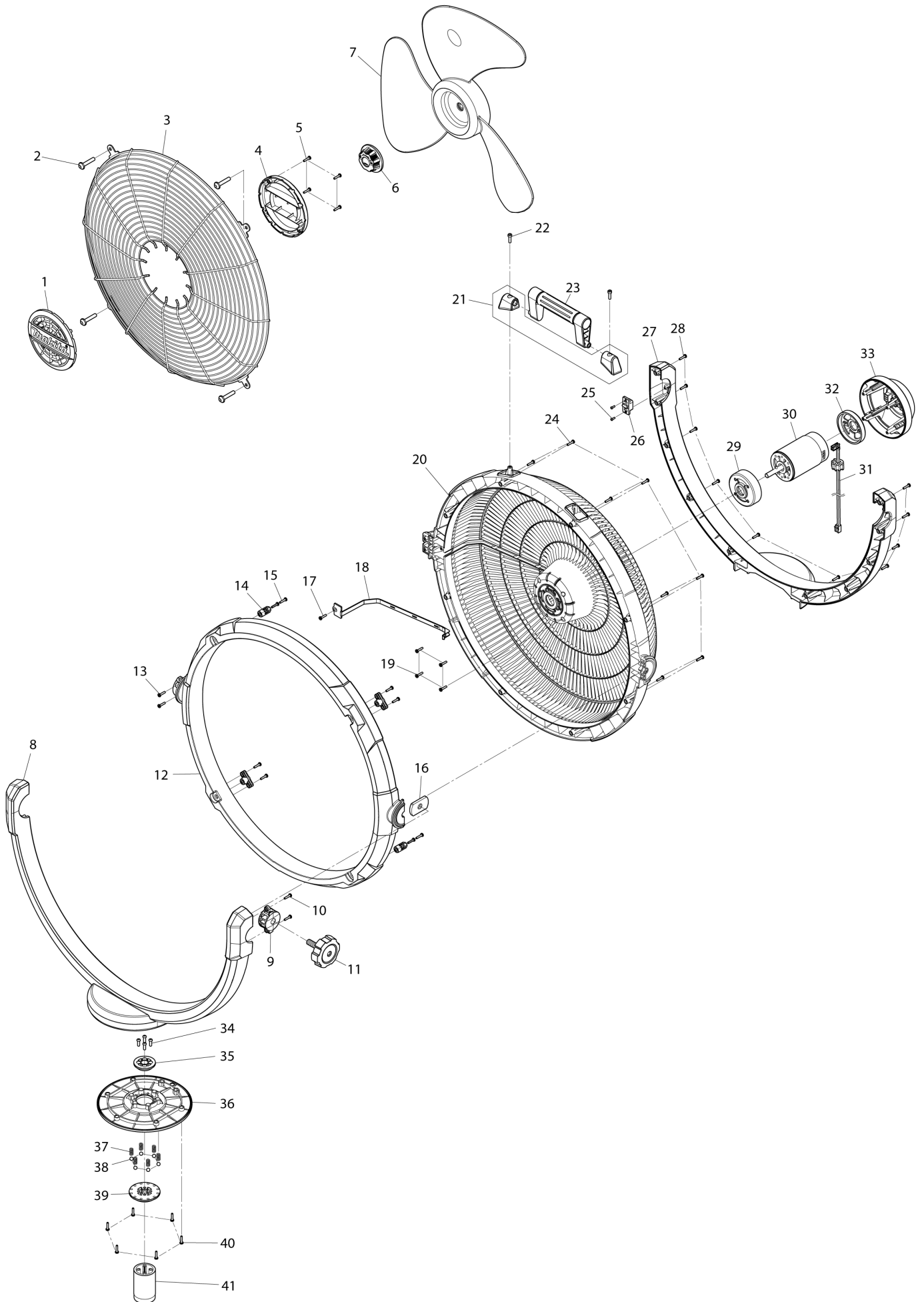
Diagram / Parts List

CF003G

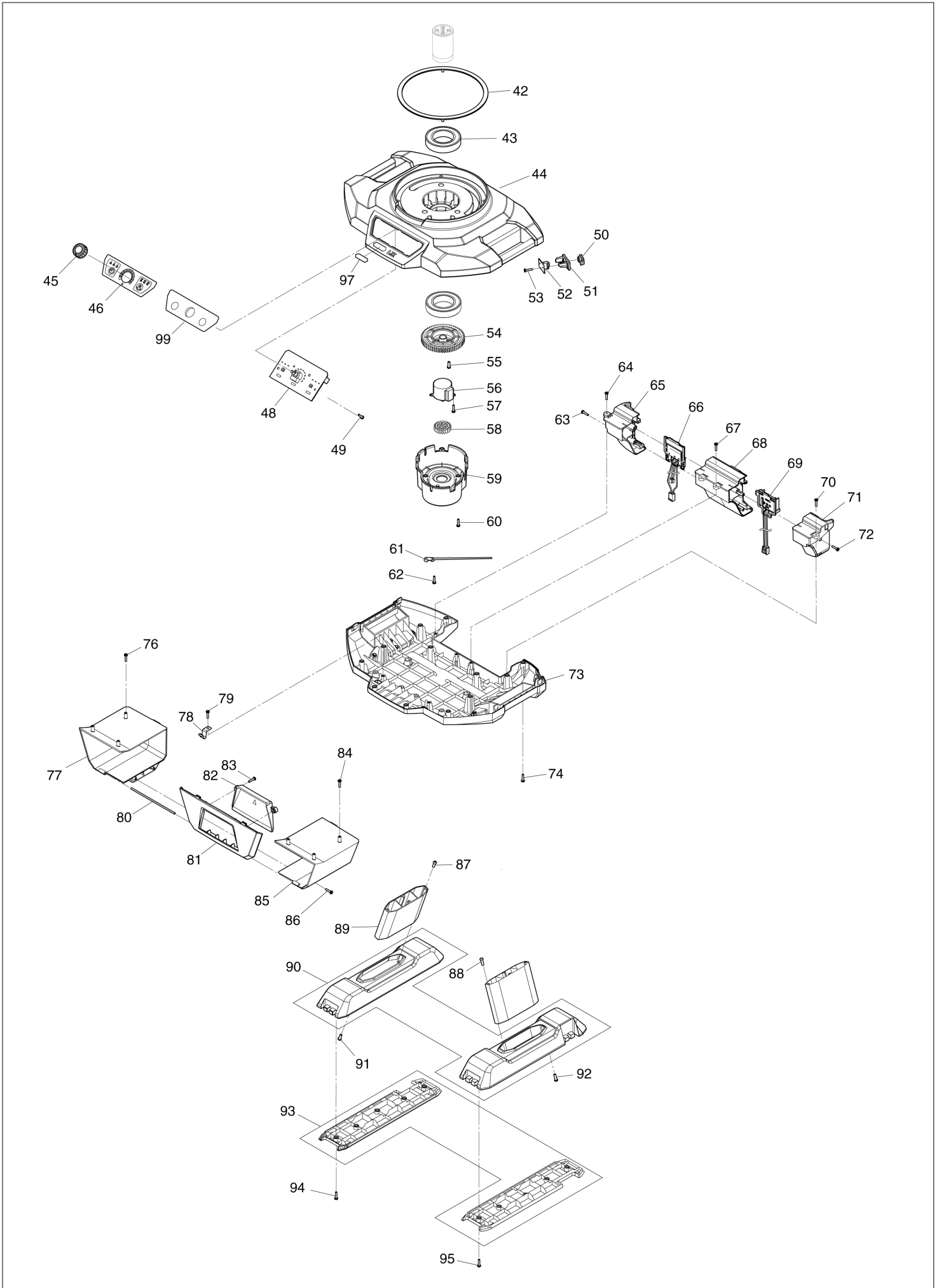
CORDLESS FAN



(HK) CF003G / CORDLESS FAN



(HK) CF003G / CORDLESS FAN



CF003G / CORDLESS FAN

| Item | Sub | Parts No. | Parts Description | Qty | I/C | E/C No. | Close No. | Remark |
|-------|-----|------------|-------------------------------|-----|-----|---------|-----------|--------|
| 001 | | TE00000704 | CENTER CAP FRONT | 1 | | | | |
| 002 | | TE00000706 | PAN HEAD SCREW M5X20 | 4 | | | | |
| 003 | | TE00000707 | FRONT GUARD | 1 | | | | |
| 004 | | TE00000708 | CENTER CAP REAR | 1 | | | | |
| 005 | | TE00000028 | TAPPING SCREW 3X14 | 4 | | | | |
| 006 | | TE00000709 | BLADE FIXING TUB NUT M8 LH | 1 | | | | |
| 007 | | TE00000710 | FAN BLADE 45 | 1 | | | | |
| 008 | | TE00000711 | FRONT SWINGING FLAME | 1 | | | | |
| 009 | | TE00000712 | ANGLE ADJUSTER RING | 1 | | | | |
| 010 | | TE00000028 | TAPPING SCREW 3X14 | 2 | | | | |
| 011 | | TE00000713 | TUB SCREW M10X31 | 1 | | | | |
| 012 | | TE00000714 | FRONT GUARD FIXING RING | 1 | | | | |
| 013 | | TE00000028 | TAPPING SCREW 3X14 | 2 | | | | |
| 014 | | TE00000715 | FRONT GUARD FIXING NUT M5 | 4 | | | | |
| 015 | | TE00000028 | TAPPING SCREW 3X14 | 8 | | | | |
| 016 | | TE00000716 | RECTANGLE NUT M10 | 1 | | | | |
| 017 | | TE00000028 | TAPPING SCREW 3X14 | 1 | | | | |
| 018 | | TE00000717 | WIRING COVER FOR REAR GUARD | 1 | | | | |
| 019 | | TE00000028 | TAPPING SCREW 3X14 | 4 | | | | |
| 020 | | TE00000718 | REAR GUARD | 1 | | | | |
| 021 | | TE00000719 | HANDLE HOLDER L/R SET | 1 | | | | |
| 022 | | TE00000720 | HEX SOCKET HEAD TAPPING SCREW | 2 | | | | |
| 023 | | TE00000721 | HANDLE | 1 | | | | |
| 024 | | TE00000028 | TAPPING SCREW 3X14 | 8 | | | | |
| 025 | | TE00000203 | SELF-TAPPING SCREW 2.5X8 | 2 | | | | |
| 026 | | TE00000722 | POM SMALL FASTENER 1 | 1 | | | | |
| 027 | | TE00000723 | REAR SWINGING FLAME | 1 | | | | |
| 028 | | TE00000028 | TAPPING SCREW 3X14 | 10 | | | | |
| 029 | | TE00000724 | FRONT MOTOR MOUNT | 1 | | | | |
| 030 | | TE00000725 | DC MOTOR ASSY | 1 | | | | |
| 031 | | TE00000726 | LEAD WIRE ASSY(MOTOR-PCB) | 1 | | | | |
| 032 | | TE00000727 | REAR MOTOR MOUNT | 1 | | | | |
| 033 | | TE00000728 | MOTOR HOUSING | 1 | | | | |
| 034 | | TE00000729 | PAN HEAD SCREW M4X12 | 4 | | | | |
| 035 | | TE00000730 | TURN TABLE BASE | 1 | | | Y09254 | |
| 035-1 | | TE00000730 | TURN TABLE BASE | 1 | O | Y09254 | Y09254 | |
| 035-2 | | TE00000733 | FIX RING FOR TURN TABLE | 1 | X | Y09254 | | |
| 036 | | TE00000731 | TURN TABLE | 1 | | | | |
| 037 | | TE00000732 | COMPRESSION SPRING 6 | 6 | | | | |
| 038 | | TE00000063 | STEEL BALL 6 | 6 | | | | |
| 039 | | TE00000733 | FIX RING FOR TURN TABLE | 1 | | | Y09254 | |
| 039-1 | | TE00000733 | FIX RING FOR TURN TABLE | 1 | O | Y09254 | Y09254 | |
| 039-2 | | TE00000730 | TURN TABLE BASE | 1 | X | Y09254 | | |
| 040 | | TE00000028 | TAPPING SCREW 3X14 | 6 | | | | |
| 041 | | TE00000734 | SWING SHAFT | 1 | | | | |
| 042 | | TE00000735 | TURN TABLE RING | 1 | | | | |
| 043 | | TE00000736 | BALL BEARING 6008ZZ | 2 | | | | |
| 044 | | TE00000737 | UPPER CONTROLLER HOUSING | 1 | | | | |
| 045 | | TE00000738 | KNOB FOR SPEED CONTROL | 1 | | | | |
| 046 | | TE00000740 | LABEL FOR SWITCH PANEL | 1 | | | | |
| 048 | | TE00000742 | PCB | 1 | | | | |
| 049 | | TE00000388 | TAPPING SCREW 3X10 | 4 | | | | |
| 050 | | TE00000743 | DC SOCKET COVER | 1 | | | | |
| 051 | | TE00000744 | DC SOCKET PANEL | 1 | | | | |
| 052 | | TE00000745 | DC SOCKET | 1 | | | | |
| 053 | | TE00000028 | TAPPING SCREW 3X14 | 2 | | | | |
| 054 | | TE00000746 | GEAR 54 | 1 | | | | |
| 055 | | TE00000729 | PAN HEAD SCREW M4X12 | 4 | | | | |
| 056 | | TE00000747 | MOTOR ASSY FOR SWINGING | 1 | | | | |
| 057 | | TE00000028 | TAPPING SCREW 3X14 | 2 | | | | |
| 058 | | TE00000748 | GEAR 20 | 1 | | | | |
| 059 | | TE00000749 | SWING UNIT HOUSING | 1 | | | | |
| 060 | | TE00000028 | TAPPING SCREW 3X14 | 3 | | | | |
| 061 | | TE00000418 | CABLE TIE | 1 | | | | |
| 062 | | TE00000028 | TAPPING SCREW 3X14 | 1 | | | | |

A:

Interchange
O : Yes
X : No
< : the new part can be substituted for the current.
> : the current part can be substituted for the new.
S : Interchangeable as a set.

