



HK

HONG KONG

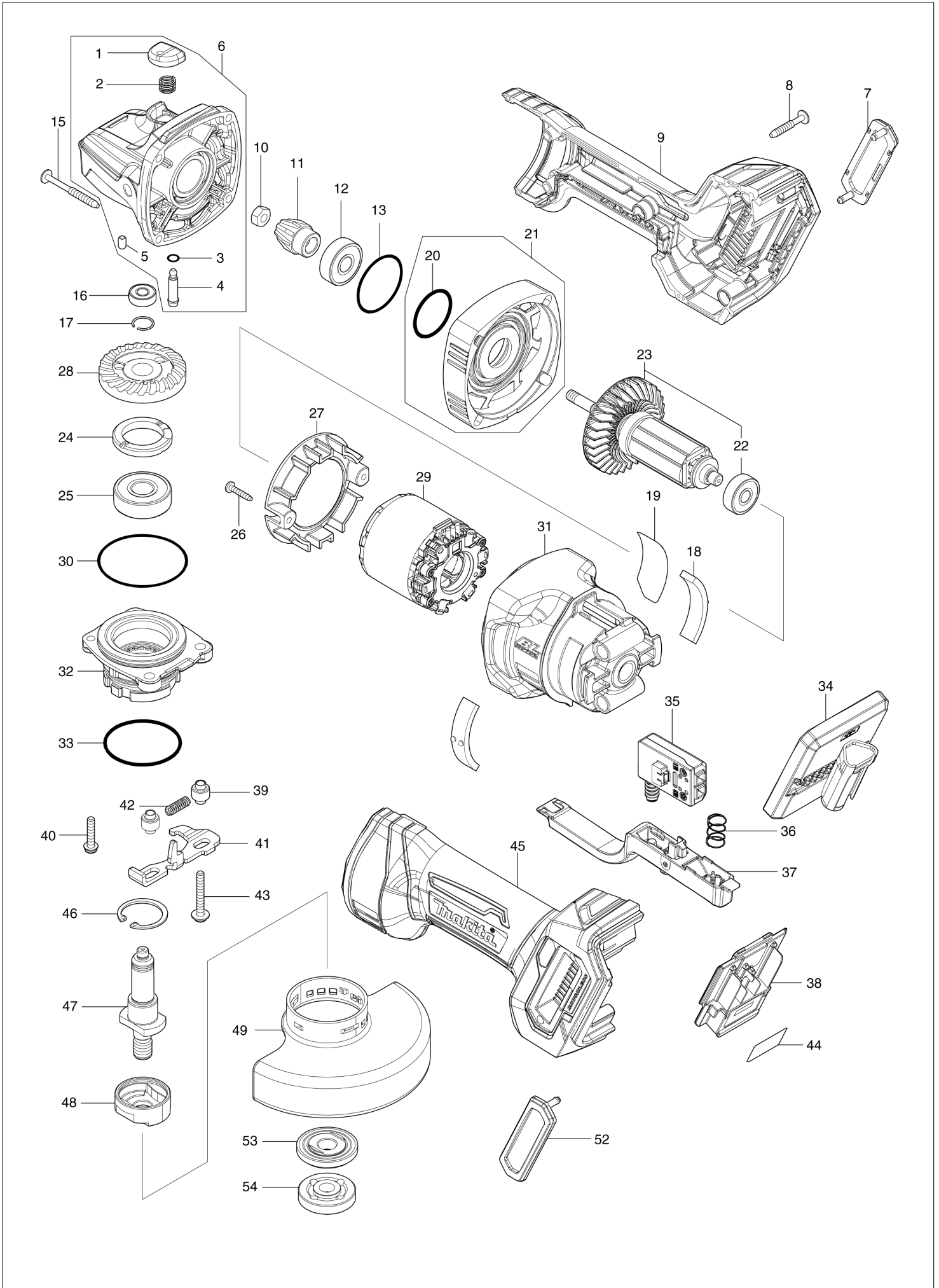
Diagram / Parts List

GA048G

100MM CORDLESS ANGLE GRINDER



(HK) GA048G / 100MM CORDLESS ANGLE GRINDER



| | |
|-----------|------------------|
| HK | HONG KONG |
|-----------|------------------|

GA048G / 100MM CORDLESS ANGLE GRINDER

| Item | Sub | Parts No. | Parts Description | Qty | I/C | E/C No. | Close No. | Remark |
|------|-----|-----------|--------------------------|-----|-----|---------|-----------|--------|
| 001 | | 412234-7 | PIN CAP | 1 | | | | |
| 002 | | 233072-2 | COMPRESSION SPRING 8 | 1 | | | | |
| 003 | | 213960-9 | O RING 5 | 1 | | | | |
| 004 | | 256546-6 | SHOULDER PIN 4 | 1 | | | | |
| 005 | | 263002-9 | RUBBER PIN 4 | 1 | | | | |
| 006 | | 136986-3 | GEAR HOUSING ASSEMBLY | 1 | | | | |
| | D10 | | INC. 1-5 | | | | | |
| 007 | | 422A12-3 | DUST COVER | 1 | | | | |
| 008 | | 265999-8 | TAPPING SCREW 4X25 | 5 | | | | |
| 009 | | 183Y56-9 | HANDLE SET | 1 | | | | |
| | C10 | 263005-3 | RUBBER PIN 6 | 2 | | | | |
| | C20 | 422A11-5 | CUSHION RING | 4 | | | | |
| | D10 | | INC. 7,45,52 | | | | | |
| 010 | | 252186-8 | HEX. NUT M6 | 1 | | | | |
| 011 | | 226976-5 | SPIRAL BEVEL GEAR 10 | 1 | | | | |
| 012 | | 210042-8 | BALL BEARING 629LLB | 1 | | | | |
| 013 | | 213A32-6 | O-RING 32 | 1 | | | | |
| 015 | | 266048-4 | TAPPING SCREW 4X40 | 4 | | | | |
| 016 | | 210033-9 | BALL BEARING 696ZZ | 1 | | | | |
| 017 | | 233950-6 | RING SPRING 11 | 1 | | | | |
| 018 | | 422A10-7 | FRONT CUSHION | 2 | | | | |
| 019 | | 8589U6-1 | GA048G NAME PLATE | 1 | | | | |
| 020 | | 213445-5 | O-RING 26 | 1 | | | | |
| 021 | | 136989-7 | GEAR HOUSING COVER ASS'Y | 1 | | | | |
| | D10 | | INC. 20 | | | | | |
| 022 | | 210023-2 | BALL BEARING 627DDW | 1 | | | | |
| 023 | | 519810-9 | ROTOR ASSEMBLY | 1 | | | | |
| | D10 | | INC. 22 | | | | | |
| 024 | | 285039-6 | BEARING RETAINER 23-33 | 1 | | | | |
| 025 | | 211137-0 | BALL BEARING 6201LLU | 1 | | | | |
| 026 | | 266429-2 | TAPPING SCREW 3X16 | 2 | | | | |
| 027 | | 413P41-7 | BAFFLE PLATE | 1 | | | | |
| 028 | | 227A65-5 | SPIRAL BEVEL GEAR 37 | 1 | | | | |
| 029 | | 629C11-0 | STATOR | 1 | | | | |
| 030 | | 213622-9 | O RING 45 | 1 | | | | |
| 031 | | 1830B1-8 | MOTOR HOUSING SET | 1 | | | | |
| | D10 | | INC. 18 | | | | | |
| 032 | | 141N73-9 | BEARING BOX COMPLETE | 1 | | | | |
| 033 | | 213789-3 | O-RING 38 | 1 | | | | |
| 034 | | 620L32-9 | CONTROLLER | 1 | | | | |
| 035 | | 651083-9 | SWITCH C3XA-1PSPM | 1 | | | | |
| 036 | | 233263-5 | COMPRESSION SPRING 9 | 1 | | | | |
| 037 | | 141N71-3 | SWITCH LEVER COMPLETE | 1 | | | | |
| 038 | | 632P65-6 | TERMINAL UNIT | 1 | | | | |
| 039 | | 327322-6 | SLEEVE 4 | 2 | | | | |
| 040 | | 911138-5 | P.H.SCREW M4X20 WITH WR | 2 | | | | |
| 041 | | 347803-4 | LEVER | 1 | | | | |
| 042 | | 232490-1 | COMPRESSION SPRING 4 | 1 | | | | |
| 043 | | 911159-7 | PAN HEAD SCREW M4X30 | 2 | | | | |
| 044 | | 8589J3-0 | GA048G SERIAL NO.LABEL | 1 | | | | |
| 045 | | 183Y56-9 | HANDLE SET | 1 | | | | |
| | C10 | 263005-3 | RUBBER PIN 6 | 2 | | | | |
| | C20 | 422A11-5 | CUSHION RING | 4 | | | | |
| | D10 | | INC. 7,9,52 | | | | | |
| 046 | | 962105-3 | RETAINING RING R-26 | 1 | | | | |
| 047 | | 326669-5 | SPINDLE | 1 | | | | |
| 048 | | 310516-0 | LEAD FLANGE B | 1 | | | | |
| 049 | | 141P42-2 | WHEEL COVER 100 COMPLETE | 1 | | | | |
| | C10 | 8050A1-8 | CAUTION LABEL | 1 | | | | |
| 052 | | 422A12-3 | DUST COVER | 1 | | | | |
| 053 | | 224483-2 | INNER FLANGE 30 | 1 | | | | |
| 054 | | 224559-5 | LOCK NUT 10-30 | 1 | | | | |
| A01 | | A-80852 | GRINDING WHEEL 100X6X16 | 1 | | | | |
| A02 | | 191V54-1 | CUTTING W.C.A. 100 SET | 1 | | | | |
| A03 | | 162258-0 | VIBRATION PROOF GRIP | 1 | | | | |

Z:GA048GZ(N)

Interchange
 O : Yes
 X : No
 < : the new part can be substituted for the current.
 > : the current part can be substituted for the new.
 S : Interchangeable as a set.

