



HK

HONG KONG

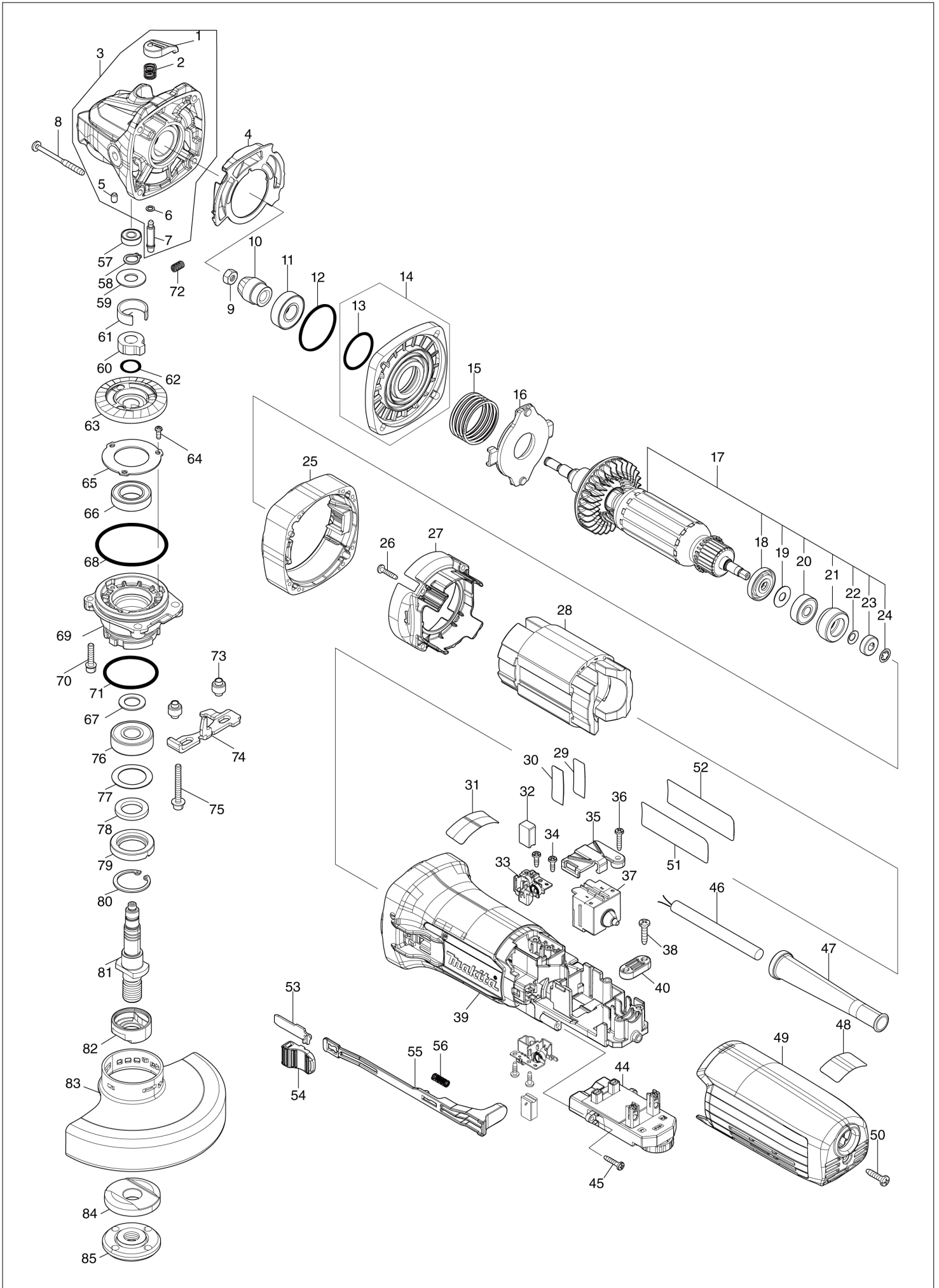
# Diagram / Parts List

**GA5091**

**125MM ANGLE GRINDER**



# (HK) GA5091 / 125MM ANGLE GRINDER



HK

HONG KONG

## GA5091 / 125MM ANGLE GRINDER

Item	Sub	Parts No.	Parts Description	Qty	I/C	E/C No.	Close No.	Remark
001		453369-5	PIN CAP	1				
002		234057-1	COMPRESSION SPRING 8	1				
003		136770-6	GEAR HOUSING ASS'Y	1				
	D10		INC. 1,2,5-7					
004		413C06-1	DIFFUSER	1				
005		263002-9	RUBBER PIN 4	1				
006		213032-0	O RING 4	1				
007		256535-1	SHOULDER PIN 6	1				
008		266467-4	TAPPING SCREW 4X50	4				
009		252186-8	HEX. NUT M6	1				
010		227916-6	SPIRAL BEVEL GEAR 11	1				
011		211131-2	BALL BEARING 6001DDW	1				
012		422812-5	RUBBER PLATE	1				
013		213693-6	O-RING 27.5	1				
014		136771-4	GEAR HOUSING COVER ASS'Y	1				
	D10		INC. 13					
015		234230-3	COMPRESSION SPRING 33	1				
016		141515-9	BRAKE SHOE HOLDER COMPLETE	1				
017		511A43-8	ARMATURE ASS'Y 220V	1				
	D10		INC. 18-24					
018		681656-4	INSULATION WASHER	1				
019		253823-7	FLAT WASHER 7	1				
020		210027-4	BALL BEARING 627DDW	1				
021		422811-7	LABYRINTH RUBBER RING 22	1				
022		267756-0	WAVE WASHER 6	1				
023		688117-5	MAGNET SLEEVE	1				
024		259039-2	SELF LOCK 6	1				
025		413C05-3	SPACER	1				
026		266429-2	TAPPING SCREW 3X16	4				
027		413C08-7	BAFFLE PLATE B	1				
028		621968-3	FIELD 220-240V	1				
029		807G78-4	CLEAR LABEL	1				
030		858N22-6	GA5091 SERIAL NO. LABEL	1				
031		898443-6	SJS2 MARK LABEL	1				
032		1910M3-7	CARBON BRUSH 264 SET	1				
033		644011-1	BRUSH HOLDER	2				
034		266007-8	TAPPING SCREW BIND PT 3X10	4				
035		413G29-3	SWITCH COVER	1				
036		266429-2	TAPPING SCREW 3X16	1				
037		650028-4	SWITCH FPC-2115T-0-02	1				
038		266326-2	TAPPING SCREW 4X18	2				
039		413C01-1	MOTOR HOUSING B	1				
040		687123-7	STRAIN RELIEF	1				
044		620H27-8	CONTROLLER	1				
045		266429-2	TAPPING SCREW 3X16	2				
046		692021-2	POWER SUPPLY CORD 1.0-2-2.5	1				
047		682116-9	CORD GUARD	1				
048		8055D1-9	INDICATION LABEL	1				
049		413C02-9	REAR COVER C	1				
050		266326-2	TAPPING SCREW 4X18	1				
051		858N19-5	GA5091 NAME PLATE	1				
052		8055D2-7	CLEAR LABEL	1				
053		347908-0	SWITCH PLATE	1				
054		413C04-5	SWITCH KNOB B	1				
055		413C03-7	SWITCH LEVER	1				
056		233121-5	COMPRESSION SPRING 4	1				
057		210026-6	BALL BEARING 696ZZ	1				
058		961006-2	RETAINING RING S-10	1				
059		253180-3	FLAT WASHER 10	1				
060		327918-3	JOINT SLEEVE	1				
061		347911-1	C TYPE PLATE	1				
062		213122-9	O RING 12	1				
063		227917-4	SPIRAL BEVEL GEAR 38	1				
064		265199-0	+ PAN HEAD SCREW M3X8	3				
065		285048-5	BEARING RETAINER 27-46	1				

Y:GA5091X01(H)

Interchange

O : Yes

X : No

&lt; : the new part can be substituted for the current.

&gt; : the current part can be substituted for the new.

S : Interchangeable as a set.

