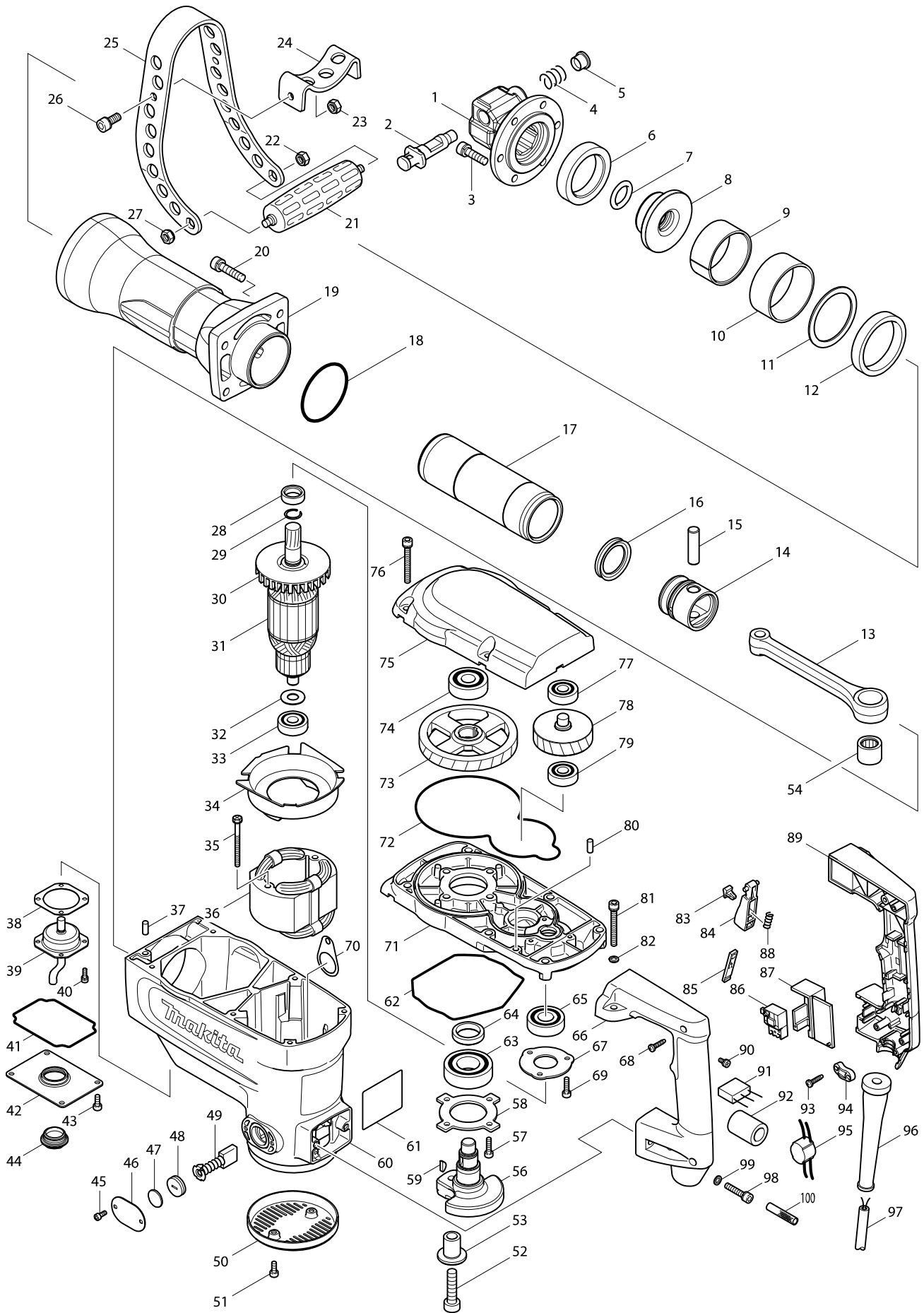


Model No. HM1306 DEMOLITION HAMMER



Model No. HM1306 DEMOLITION HAMMER

Item	Parts No.	Description	I/C	Qty	N/O	Sales	Purch.	Note
001	324820-1	TOOL HOLDER		1				
002A	324099-4	TOOL RETAINER		1	*			
002-1A	324942-7	TOOL RETAINER	S	1				
002-1B	324942-7	TOOL RETAINER		1				
003	266010-9	HEX. SOCKET HEAD BOLT M8X30		6				
004A	233309-7	COMPRESSION SPRING 17		1	*			
004-1A	233309-7	COMPRESSION SPRING 17	O	1				
004-1B	233309-7	COMPRESSION SPRING 17		1				
005	324135-6	RETAINER SLEEVE		1				
006	262137-3	URETHANE RING 49		1				
007	213388-1	O RING 24		1				
008	324821-9	SEAL HOLDER		1				
009	324824-3	IDLER		1				
010	262536-9	RUBBER SLEEVE 64		1				
011	267146-7	FLAT WASHER 58		1				
012	262068-6	URETHANE RING 59		1				
013	324832-4	CONNECTING ROD		1				
014	318193-2	PISTON		1				
015	256238-7	PIN 12		1				
016	213494-2	Y RING 34		1				
017	324822-7	HAMMER		1				
018	213701-3	O RING 65		1				
019	318190-8	BARREL		1				
020	266011-7	HEX. SOCKET HEAD BOLT M8X35		4				
021	273518-6	GRIP 37		1				
022	252005-8	HEX. NUT M8-13		1				
023	252005-8	HEX. NUT M8-13		2				
024	345474-1	HANDLE CLAMP		1				
025	345473-3	SIDE HANDLE		1				
026	922431-2	HEX. SOCKET HEAD BOLT M8X20		2				
027	252005-8	HEX. NUT M8-13		1				
028	257260-7	RING 17		1				
029	233933-6	RING SPRING 15		1				
030	241870-0	FAN 80		1				
D10		INC. 30,32,33						
031A	517773-3	ARMATURE ASS'Y 220V		1				
031B	518732-0	ARMATURE ASS'Y 115V		1				
032	267024-1	FLAT WASHER 12		1				
033	211106-1	BALL BEARING 6201LLB		1				
034	418790-5	BAFFLE PLATE		1				
035	265345-5	+ HEX. BOLT M5X60		2				
C10	654197-3	RING TERMINAL		2	*			
C20	654502-4	CONNECTOR P-2		2	*			
C30	683381-3	VARNISHED POLYESTER TUBE		2	*			
D10		INC. 70			*			
036A	526143-5	FIELD ASS'Y 220V		1	*			
036B	526140-1	FIELD ASS'Y 110-115V		1	*			
C10	654197-3	RING TERMINAL		2				

Model No. HM1306 DEMOLITION HAMMER

Item	Parts No.	Description	I/C	Qty	N/O	Sales	Purch.	Note
C20	654502-4	CONNECTOR P-2		2				
C30	683381-3	VARNISHED POLYESTER TUBE		2				
D10		INC. 70						
036-1A	526233-4	FIELD ASS'Y 220V	<	1				
036-1B	526230-0	FIELD ASS'Y 100-115V	<	1				
037	256111-1	PIN 6		1				
038	442139-7	HOLDER SEAL		1				
039	158388-3	FELT COMPLETE		1				
040	922116-0	HEX. SOCKET HEAD BOLT M4X12		4				
041	424053-9	SEAL RING C		1				
042	158540-3	OIL TANK COVER COMPLETE		1				
C10	816765-2	INDICATION LABEL		1				
043	265903-7	HEX. SOCKET HEAD BOLT M5X12		4				
044	242502-2	OIL GAUGE		1				
045	266167-6	HEX. SOCKET HEAD BOLT M4X10		4				
046	344975-6	HOLDER CAP PLATE		2				
047	421034-4	CAP RUBBER		2				
048	643700-5	BRUSH HOLDER CAP 7-18		2				
049	191957-7	A.C. CARBON BRUSH CB-204		1				
050	284067-8	REAR COVER		1				
051	265903-7	HEX. SOCKET HEAD BOLT M5X12		2				
052	266276-1	HEX.SOCKET HEAD BOLT M10X40		1				
053	331792-3	CRANK SLEEVE		1				
054	212263-8	NEEDLE ROLLER BEARING 1820		1				
056	324823-5	CRANK SHAFT		1				
057	265853-6	HEX. SOCKET HEAD BOLT M5X18		4				
058	285730-6	BEARING RETAINER 65		1				
059	254001-2	WOODRUFF KEY 4		2				
060	158386-7	MOTOR HOUSING COMPLETE		1				
C10	643713-6	BRUSH HOLDER		2				
061	864243-6	HM1306 NAME PLATE		1				
062	424048-2	SEAL RING A		1				
063	211373-8	BALL BEARING 6205LLU		1				
064	257286-9	RING 25		1				
065	211281-3	BALL BEARING 6203LLU		1				
066	188387-1	HANDLE SET		1				
D10		INC. 89						
067	285729-1	BEARING RETAINER 48		1				
068	265995-6	TAPPING SCREW 4X18		3				
069	265853-6	HEX. SOCKET HEAD BOLT M5X18		3				
070	681018-6	PAPER WASHER		2				
071	318191-6	GEAR HOUSING		1				
072	424049-0	SEAL RING B		1				
073	226671-7	HELICAL GEAR 65		1				
074	211211-4	BALL BEARING 6302LLB		1				
075	318192-4	GEAR HOUSING COVER		1				
076	266304-2	HEX. SOCKET HEAD BOLT M6X50		4				
077	211107-9	BALL BEARING 6201ZZ		1				

