



HK

HONG KONG

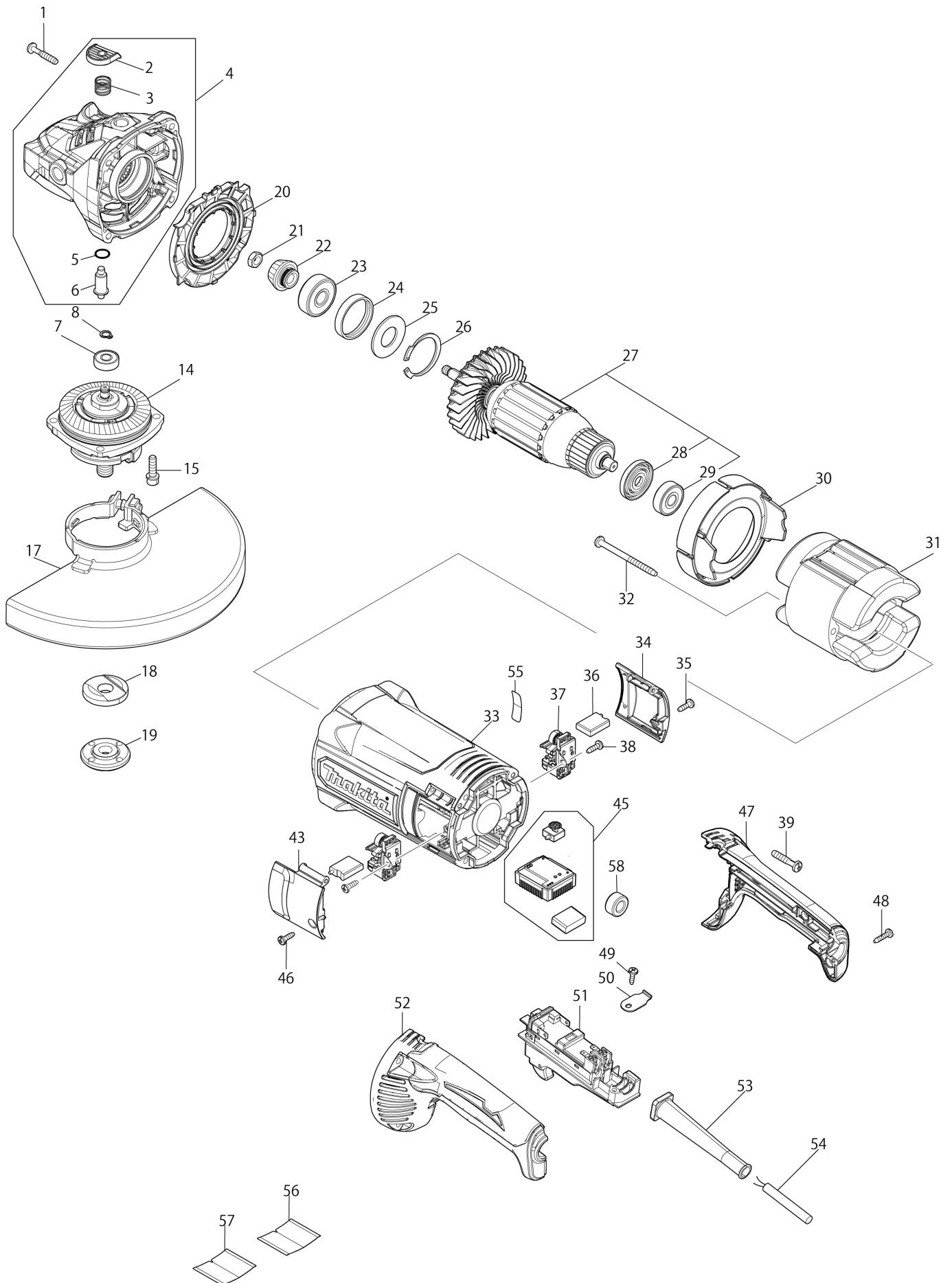
# Diagram / Parts List

**GA9081**

**230MM ANGLE GRINDER**



# (HK) GA9081 / 230MM ANGLE GRINDER



HK

HONG KONG

## GA9081 / 230MM ANGLE GRINDER

| Item  | Sub | Parts No. | Parts Description           | Qty | I/C | E/C No. | Close No. | Remark |
|-------|-----|-----------|-----------------------------|-----|-----|---------|-----------|--------|
| 001   |     | 251489-7  | TAPPING SCREW 5X30          | 4   |     |         | DF582     |        |
| 001-1 |     | 922253-0  | H.S.H.BOLT M5X30 WITH WR    | 4   | <   | DF582   |           |        |
| 002   |     | 413H41-9  | PIN CAP                     | 1   |     |         |           |        |
| 003   |     | 233292-8  | COMPRESSION SPRING 12       | 1   |     |         |           |        |
| 004   |     | 136698-8  | GEAR HOUSING ASSY           | 1   |     |         |           |        |
|       | C10 | 262118-7  | FELT RING 18                | 1   |     |         |           |        |
|       | C20 | 263002-9  | RUBBER PIN 4                | 1   |     |         |           |        |
|       | D10 |           | INC. 2,3,5,6                |     |     |         |           |        |
| 005   |     | 213062-1  | O RING 9                    | 1   |     |         |           |        |
| 006   |     | 256491-5  | SHOULDER PIN 5              | 1   |     |         |           |        |
| 007   |     | 211032-4  | BALL BEARING 608ZZ          | 1   |     |         |           |        |
| 008   |     | 961004-6  | RETAINING RING (EXT) S-8    | 1   |     |         |           |        |
| 014   |     | 122C64-3  | TORQUE LIMITER ASSEMBLY 230 | 1   |     |         |           |        |
|       | C10 | 213760-7  | O RING 78                   | 1   |     |         |           |        |
|       | C15 | 252429-8  | NUT M15-23                  | 1   |     | Y08804  | DF582     |        |
|       | C16 | 252323-4  | CIRCULAR NUT M15-23         | 1   | <   | DF582   |           |        |
|       | C20 | 232163-6  | CUP SPRING 20               | 2   |     | Y08804  |           |        |
|       | C25 | 267798-4  | LOCK WASHER                 | 1   |     | Y08804  |           |        |
|       | C30 | 227492-0  | SPIRAL BEVEL GEAR 53C       | 1   |     | Y08804  |           |        |
|       | C35 | 265120-9  | PAN HEAD SCREW M5X16        | 3   |     | Y08804  |           |        |
|       | C40 | 285741-1  | BEARING RETAINER 50         | 1   |     | Y08804  |           |        |
|       | C45 | 267167-9  | FLAT WASHER 15              | 1   |     | Y08804  |           |        |
|       | C50 | 211278-2  | BALL BEARING 6203DDW        | 1   |     | Y08804  |           |        |
|       | C55 | 312D39-8  | BEARING BOX                 | 1   |     | Y08804  |           |        |
|       | C60 | 141D62-4  | SPINDLE COMPLETE            | 1   |     | Y08804  |           |        |
| 015   |     | 265541-5  | HEX. SOCKET HEAD BOLT M6X22 | 4   |     |         |           |        |
| 017   |     | 122891-0  | WHEEL COVER 230K ASSEMBLY   | 1   |     |         |           |        |
|       | C10 | 213017-6  | O RING 6                    | 1   |     |         |           |        |
|       | C20 | 265198-2  | +PAN HEAD SCREW M8X25       | 1   |     |         |           |        |
| 018   |     | 224490-5  | INNER FLANGE 14-45          | 1   |     |         |           |        |
| 019   |     | 224485-8  | LOCK NUT 14-45              | 1   |     |         |           |        |
| 020   |     | 456238-9  | DIFFUSER                    | 1   |     |         |           |        |
| 021   |     | 252194-9  | HEX. NUT M8                 | 1   |     |         |           |        |
| 022   |     | 227490-4  | SPIRAL BEVEL GEAR 12        | 1   |     |         |           |        |
| 023   |     | 211132-0  | BALL BEARING 6301DDW        | 1   |     |         |           |        |
| 024   |     | 262085-6  | RUBBER RING 38              | 1   |     |         |           |        |
| 025   |     | 267299-2  | FLAT WASHER 20              | 1   |     |         |           |        |
| 026   |     | 962211-4  | RETAINING RING R-42         | 1   |     |         |           |        |
| 027Y  |     | 511A28-4  | ARMATURE ASS'Y 220V         | 1   |     |         |           |        |
| 027Z  |     | 511A26-8  | ARMATURE ASS'Y 115V         | 1   |     |         |           |        |
|       | C10 | 240161-6  | FAN 86                      | 1   |     |         |           |        |
|       | D10 |           | INC. 28,29                  |     |     |         |           |        |
| 028   |     | 681630-2  | INSULATION WASHER           | 1   |     |         |           |        |
| 029   |     | 211087-9  | BALL BEARING 6200DDW        | 1   |     |         |           |        |
| 030   |     | 456239-7  | BAFFLE PLATE                | 1   |     |         |           |        |
| 031Y  |     | 621943-9  | FIELD 220V                  | 1   |     |         |           |        |
| 031Z  |     | 621941-3  | FIELD 115V                  | 1   |     |         |           |        |
| 032   |     | 266038-7  | TAPPING SCREW 5X70          | 2   |     |         |           |        |
| 033   |     | 413599-0  | MOTOR HOUSING               | 1   |     |         |           |        |
| 034   |     | 456246-0  | BRUSH HOLDER COVER R        | 1   |     |         |           |        |
| 035   |     | 266385-6  | TAPPING SCREW 4X14          | 1   |     |         |           |        |
| 036   |     | 191T31-1  | CARBON BRUSH SET CB-224     | 1   |     |         |           |        |
| 037   |     | 643715-2  | BRUSH HOLDER                | 2   |     |         |           |        |
| 038   |     | 266385-6  | TAPPING SCREW 4X14          | 2   |     |         |           |        |
| 039   |     | 251489-7  | TAPPING SCREW 5X30          | 4   |     |         |           |        |
| 043   |     | 456245-2  | BRUSH HOLDER COVER L        | 1   |     |         |           |        |
| 045Y  |     | 620E20-4  | CONTROLLER                  | 1   |     |         |           |        |
| 045Z  |     | 620E19-9  | CONTROLLER                  | 1   |     |         |           |        |
| 046   |     | 266385-6  | TAPPING SCREW 4X14          | 1   |     |         |           |        |
| 047   |     | 183C62-2  | HANDLE SET                  | 1   |     |         |           |        |
|       | D10 |           | INC. 52                     |     |     |         |           |        |
| 048   |     | 266326-2  | TAPPING SCREW 4X18          | 2   |     |         |           |        |
| 049   |     | 266385-6  | TAPPING SCREW 4X14          | 1   |     |         |           |        |
| 050   |     | 687169-3  | STRAIN RELIEF               | 1   |     |         |           |        |
| 051   |     | 632F79-5  | SWITCH UNIT                 | 1   |     |         |           |        |

Y:GA9081(H)  
Z:GA9081(L)Interchange  
O : Yes  
X : No  
< : the new part can be substituted for the current.  
> : the current part can be substituted for the new.  
S : Interchangeable as a set.

