



HK

HONG KONG

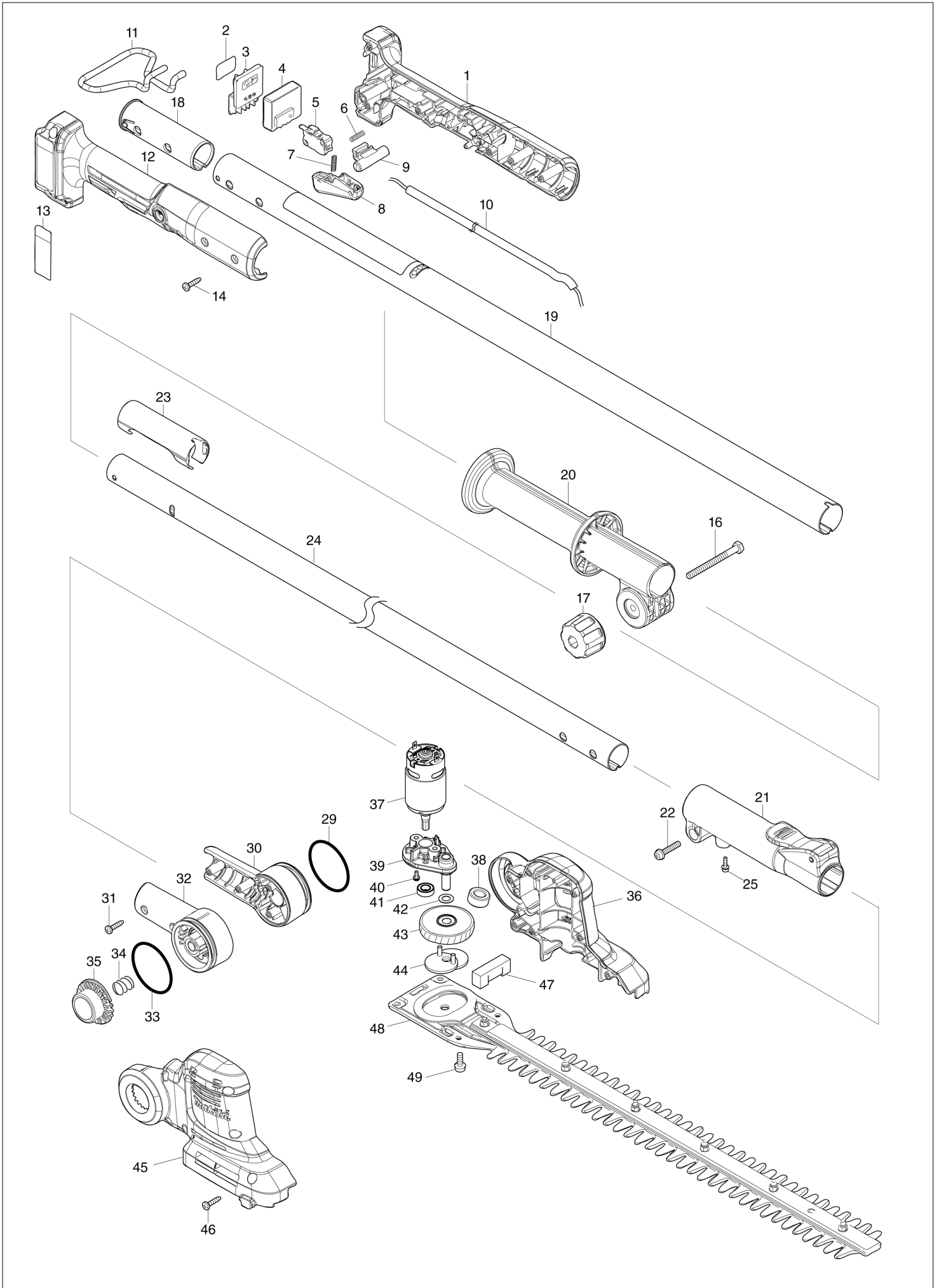
# Diagram / Parts List

**UN460WD**

**460MM DC POLE HEDGE TRIMMER**



(HK) UN460WD / 460MM DC POLE HEDGE TRIMMER



HK

HONG KONG

## UN460WD / 460MM DC POLE HEDGE TRIMMER

Item	Sub	Parts No.	Parts Description	Qty	I/C	E/C No.	Close No.	Remark
001		183T12-9	GRIP HOUSING SET	1				
	C10	263002-9	RUBBER PIN 4	2				
	D10		INC. 12					
002		811M48-3	UN460WD SERIAL NO. LABEL	1				
003		644813-5	TERMINAL	1				
004		620F43-8	CONTROLLER	1				
005		651398-4	SWITCH BMC-1112-001	1				
006		231473-8	COMPRESSION SPRING 4	1				
007		231473-8	COMPRESSION SPRING 4	1				
008		413714-6	SWITCH LEVER	1				
009		413713-8	LOCK OFF BUTTON A	1				
010		699168-3	POWER SUPPLY CORD UNIT	1				
	C10	654069-2	RECEPTACLE	2				
011		327810-3	BATTERY GUARD	1				
012		183T12-9	GRIP HOUSING SET	1				
	C10	263002-9	RUBBER PIN 4	2				
	D10		INC. 1					
013		811M46-7	UN460WD NAME PLATE	1				
014		266326-2	TAPPING SCREW 4X18	6				
016		921362-2	HEX. BOLT M6X40	1				
017		264072-1	THUMB NUT M6	1				
	C10	931302-2	HEX. NUT M6	1				
018		413712-0	PIPE CAP 32	1				
019		141B61-4	PIPE 32 COMPLETE	1			Y08745	
	C10	8008A7-9	CAUTION LABEL	1			Y08745	
	C20	808723-2	CAUTION LABEL	1			Y08745	
020		413719-6	FRONT GRIP A	1				
021		141C39-3	PIPE HOLDER 32 COMPLETE	1				
	C10	252103-8	HEX. LOCK NUT M5-8	1				
022		911243-8	PAN HEAD SCREW M5X25	1				
023		413711-2	PIPE CAP 28	1				
024		327815-3	PIPE 28	1			Y08745	
025		251568-1	H.S.H.BOLT M3X12 WITH WR	1				
029		213616-4	O RING 48	1				
030		183T14-5	PIPE HOLDER SET	1				
	D10		INC. 32					
031		266326-2	TAPPING SCREW 4X18	4				
032		183T14-5	PIPE HOLDER SET	1				
	D10		INC. 30					
033		213616-4	O RING 48	1				
034		231113-8	COMPRESSION SPRING 12	1				
035		413715-4	LOCK OFF BUTTON B	1				
036		183T13-7	MOTOR HOUSING SET	1				
	C10	263005-3	RUBBER PIN 6	4				
	D10		INC. 45					
037		629A64-7	DC MOTOR	1				
038		688131-1	LINE FILTER	1				
039		141B58-3	MOTOR HOLDER COMPLETE	1				
040		265199-0	+ PAN HEAD SCREW M3X8	2				
041		210124-6	BALL BEARING 688ZZ	1				
042		253215-0	FLAT WASHER 8	1				
043		141B59-1	GEAR COMPLETE	1				
044		165734-3	CRANK	1				
045		183T13-7	MOTOR HOUSING SET	1				
	C10	263005-3	RUBBER PIN 6	4				
	D10		INC. 36					
046		266326-2	TAPPING SCREW 4X18	7				
047		424958-3	SPONGE SEAL	1				
048		191P00-8	SHEAR BLADE 460 ASSEMBLY SET	1				
	C10	188369-3	OIL VESSEL SET	1				
049		265074-0	PAN HEAD SCREW M5X16	4				
050		136621-3	PIPE ASSEMBLY	1		Y08745		
	C10	8008A7-9	CAUTION LABEL	1		Y08745		
	C20	808723-2	CAUTION LABEL	1		Y08745		
	D10		INC. 21-23,25			Y08745		

Interchange

O : Yes

X : No

&lt; : the new part can be substituted for the current.

&gt; : the current part can be substituted for the new.

S : Interchangeable as a set.

