



HK

HONG KONG

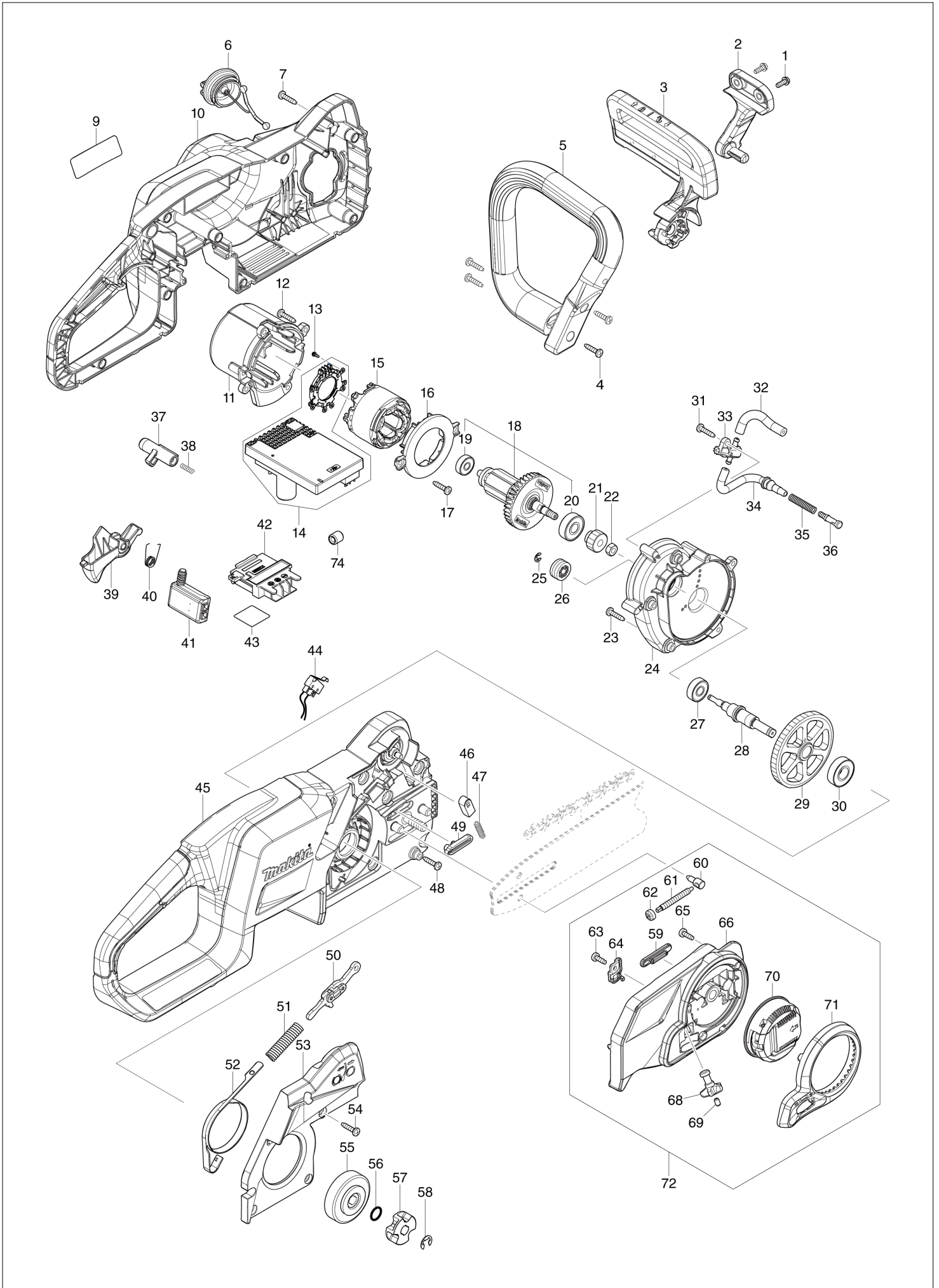
Diagram / Parts List

DUC307

300MM CORDLESS CHAIN SAW



(HK) DUC307 / 300MM CORDLESS CHAIN SAW



HK**HONG KONG****DUC307 / 300MM CORDLESS CHAIN SAW**

Item	Sub	Parts No.	Parts Description	Qty	I/C	E/C No.	Close No.	Remark
001		911118-1	PAN HEAD SCREW M4X12	2				
002		413J87-7	FRONT HAND GUARD RETAINER	1				
003		141K82-0	FRONT HAND GUARD COMPLETE	1				
	C10	810R21-0	CAUTION LABEL	1				
004		266326-2	TAPPING SCREW 4X18	4				
005		413J75-4	FRONT HANDLE	1				
006		162C20-1	TANK CAP COMPLETE	1				
	C10	213A30-0	O-RING 29.5	1				
007		266326-2	TAPPING SCREW 4X18	9				
009		858P89-6	DUC307 NAME PLATE	1				
010		183W84-2	HOUSING SET	1				
	C10	263005-3	RUBBER PIN 6	2				
	C20	8057G1-2	MAKITA LOGO LABEL	1				
	D10		INC. 45					
011		413J76-2	MOTOR HOUSING	1				
012		266326-2	TAPPING SCREW 4X18	4				
013		652119-7	PAN HEAD SCREW M2X6	6				
014		620J79-1	CONTROLLER	1				
015		629B62-7	STATOR	1				
016		413J86-9	BAFFLE PLATE	1				
017		266326-2	TAPPING SCREW 4X18	2				
018		519766-6	ROTOR ASS'Y	1				
	D10		INC. 19,20					
019		211499-6	BALL BEARING 626ZZ	1				
020		211092-6	BALL BEARING 629DDW	1				
021		227989-9	SPUR GEAR 16	1				
022		252186-8	HEX. NUT M6	1				
023		266326-2	TAPPING SCREW 4X18	5				
024		413J72-0	BEARING HOUSING	1				
025		961011-9	STOP RING E-4	1				
026		226884-0	WORM GEAR	1				
027		211032-4	BALL BEARING 608ZZ	1				
028		327A29-0	SPINDLE	1				
029		227990-4	SPUR GEAR 73	1				
030		210216-1	BALL BEARING 6001DDW	1				
031		266326-2	TAPPING SCREW 4X18	1				
032		422914-7	OIL TUBE 3-60	1				
033		141N25-0	OIL PUMP COMPLETE	1				
034		422913-9	OIL TUBE 3-105	1				
035		231975-4	SPRING	1				
036		452666-6	NIPPLE	1				
037		413J88-5	LOCK OFF BUTTON	1				
038		231469-9	COMPRESSION SPRING 4	1				
039		413J84-3	SWITCH LEVER	1				
040		233621-5	TORSION SPRING 9	1				
041		651083-9	SWITCH C3XA-1PSPM	1				
042		643874-2	TERMINAL	1				
043		858P93-5	DUC307 SERIAL NO. LABEL	1				
044		632L48-2	SWITCH UNIT	1				
045		183W84-2	HOUSING SET	1				
	C10	263005-3	RUBBER PIN 6	2				
	C20	8057G1-2	MAKITA LOGO LABEL	1				
	D10		INC. 10					
046		313212-9	HAND GUARD GUIDE	1				
047		234210-9	COMPRESSION SPRING 3	1				
048		266326-2	TAPPING SCREW 4X18	1				
049		422915-5	GROMMET	1				
050		141E60-4	LINK PLATE COMPLETE	1				
051		232452-9	COMPRESSION SPRING 7	1				
052		347864-4	BRAKE BAND	1				
053		413J85-1	HOUSING R COVER	1				
054		266326-2	TAPPING SCREW 4X18	5				
055		162B78-4	BRAKE DRUM	1				
056		213060-5	O RING 10	1				
057		221464-7	SPROCKET 6	1				

Z:DUC307ZX1(N)

Interchange

O : Yes

X : No

< : the new part can be substituted for the current.

> : the current part can be substituted for the new.

S : Interchangeable as a set.

