



HK

HONG KONG

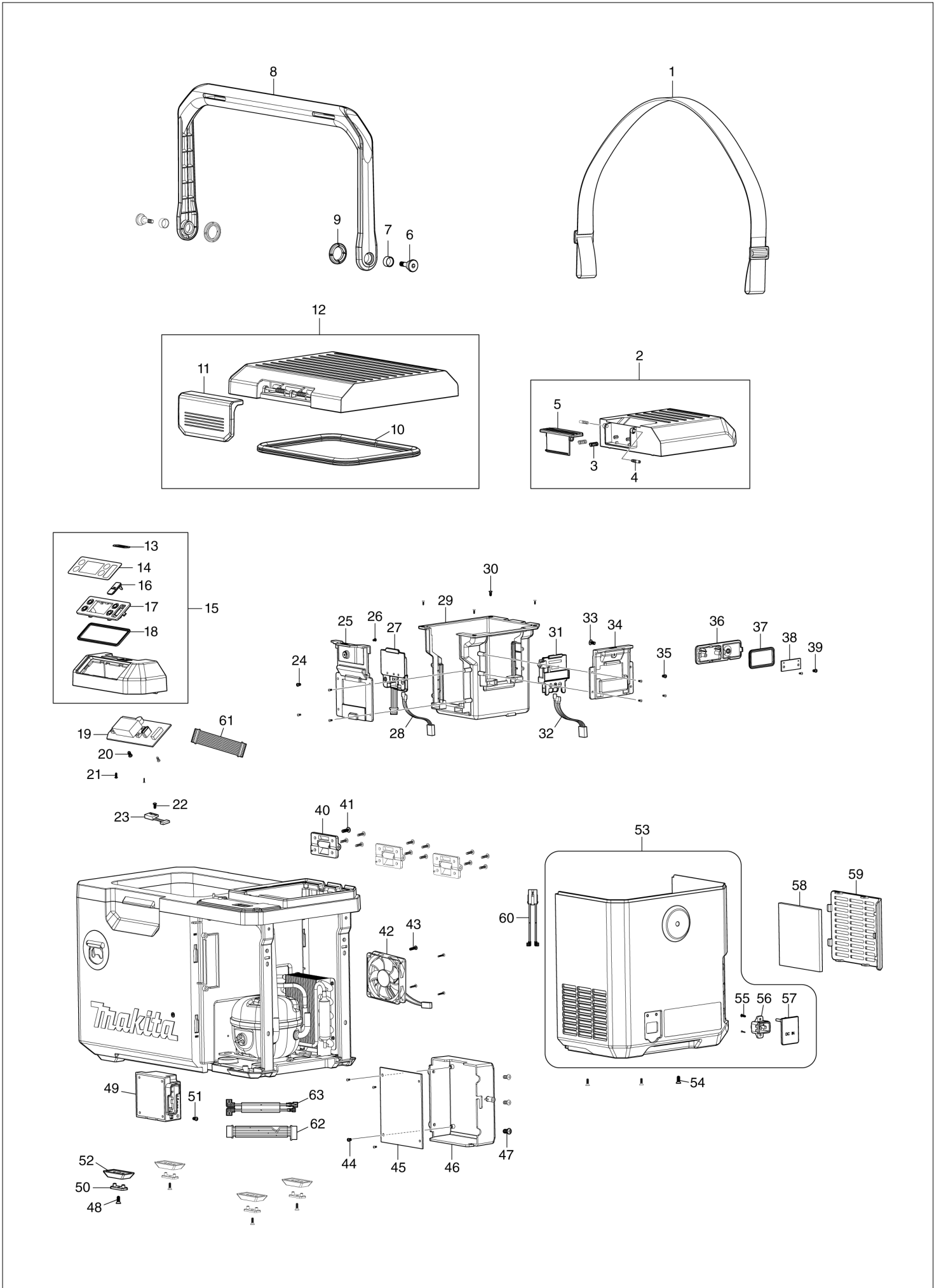
Diagram / Parts List

CW003G

CORDLESS COOLER & WARMER BOX



(HK) CW003G / CORDLESS COOLER & WARMER BOX



HK

HONG KONG

CW003G / CORDLESS COOLER_WARMER BOX

Item	Sub	Parts No.	Parts Description	Qty	I/C	E/C No.	Close No.	Remark
001		A-71093	SHOULDER BELT	1				
002		WL00000176	BATTERY COVER ASSY	1				
	D10		INC. 3,4,5					
003		WL00000010	COMPRESSION SPRING 5MM	2				
004		WL00000090	SHAFT	2				
005		WL00000177	HANDLE A	1				
006		WL00000178	HEX. SOCKET HEAD SCREW	2				
007		WL00000179	SLEEVE	2				
008		WL00000180	CARRY HANDLE	1				
009		WL00000181	SILICONE RING	2				
010		WL00000182	SEALING	1				
011		WL00000183	HANDLE B	1				
012		WL00000184	TOP COVER ASSY	1				
	D10		INC. 10,11					
013		WL00000185	XGT LABEL	1				
014		WL00000187	CONTROL FILM	1				
015		WL00000188	PANEL ASSEMBLY	1				
	D10		INC. 13,14,16,17,18					
016		WL00000189	USB COVER	1				
017		WL00000190	SWITCH PLATE	1				
018		WL00000191	SEALING	1				
019		WL00000193	CONTROL PCB	1				
020		WL00000015	TAPPING SCREW 3X10	2				
021		WL00000015	TAPPING SCREW 3X10	2				
022		WL00000015	TAPPING SCREW 3X10	1				
023		WL00000194	MAGNETIC SWITCH WITH CABLE	1				
024		WL00000015	TAPPING SCREW 3X10	4				
025		WL00000195	BATTERY TERMINAL COVER	1				
026		WL00000098	SCREWS ST3X8	1				
027		WL00000196	BATTERY TERMINAL	1				
028		WL00000197	LEAD UNIT A	1				
029		WL00000198	BATTERY BOX	1				
030		WL00000098	SCREWS ST3X8	4				
031		WL00000099	BATTERY TERMINAL	1				
032		WL00000199	LEAD UNIT B	1				
033		WL00000098	SCREWS ST3X8	1				
034		WL00000200	BATTERY TERMINAL COVER	1				
035		WL00000015	TAPPING SCREW 3X10	4				
036		WL00000018	THERMOSTAT TOP COVER	1				
037		WL00000019	SEALING C	1				
038		WL00000192	LIGHT BOARD ASSY	1				
039		WL00000015	TAPPING SCREW 3X10	2				
040		WL00000022	HINGE	3				
041		WL00000023	TAPPING SCREW 4X16	12				
042		WL00000103	FAN (AIR OUTLET)	1				
043		WL00000104	SCREWS M4X30	4				
044		WL00000015	TAPPING SCREW 3X10	4				
045		WL00000201	POWER PCB	1				
046		WL00000202	PCB BOX	1				
047		WL00000044	TAPPING SCREW 4X12	3				
048		WL00000052	COUNTERSUNK TAPPING SCREW 4X1	4				
049		WL00000203	COMPRESS POWER PCB	1				
050		WL00000204	FOOT PAD	4				
051		WL00000205	PAN HEAD SCREWS M4X10	1				
052		WL00000206	FOOT	4				
053		WL00000212	REAR COVER ASSY(BLUE)	1				
	D10		INC. 55,56,57					
054		WL00000052	COUNTERSUNK TAPPING SCREW 4X1	3				
055		WL00000015	TAPPING SCREW 3X10	2				
056		WL00000208	DC IN SOCKET	1				
057		WL00000209	DC IN COVER	1				
058		WL00000210	FILTER SPONGE	1				
059		WL00000213	DUST PROOF COVER (BLUE)	1				
060		WL00000172	POWER CONNECTION WIRE	1				
061		WL00000173	CONTROLLING PCB WIRE	1				

Z:

Interchange

O : Yes

X : No

< : the new part can be substituted for the current.

> : the current part can be substituted for the new.

S : Interchangeable as a set.

