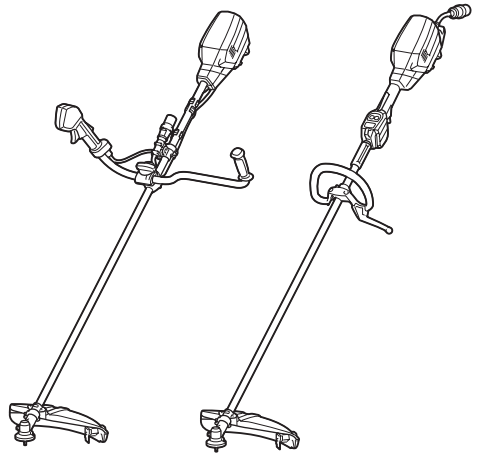


INSTRUCTION MANUAL



# Battery Powered Grass Trimmer

UR101C  
UR201C



Read before use.

# SPECIFICATIONS

Model:		UR101C	UR201C
Handle type		Bike handle	Loop handle
No load speed (at each rotation speed level)	Cutter blade Plastic blade (305 mm)	3: 0 - 7,000 min <sup>-1</sup> 2: 0 - 5,500 min <sup>-1</sup> 1: 0 - 4,600 min <sup>-1</sup>	
	Nylon cutting head Plastic blade (255 mm)	3: 0 - 5,500 min <sup>-1</sup> 2: 0 - 5,000 min <sup>-1</sup> 1: 0 - 4,600 min <sup>-1</sup>	
Overall length (without cutting tool)		1,760 mm	1,795 mm
Nylon cord diameter		2.4 mm	
Applicable cutting tool and cutting diameter	2-tooth blade (P/N 198345-9)	255 mm	
	3-tooth blade (P/N 195299-1)	255 mm	
	4-tooth blade (P/N 196895-8)	255 mm	
	Nylon cutting head (P/N 197993-1 / 191D90-9)	430 mm	
	Plastic blade (P/N 198383-1) (P/N 199868-0)	255 mm 305 mm	
Rated voltage		D.C. 36 V - 40 V max	
Net weight		5.2 kg	4.7 kg
Protection degree		IPX4	

- Due to our continuing program of research and development, the specifications herein are subject to change without notice.
- Specifications may differ from country to country.
- Weight according to EPTA-Procedure 01/2014

## Recommended cord connected power source

Portable power pack	PDC01 / PDC1200
---------------------	-----------------

- The cord connected power source(s) listed above may not be available depending on your region of residence.
- Before using the cord connected power source, read instruction and cautionary markings on them.

## Noise

### Model UR101C

Cutting tool	Sound pressure level (L <sub>PA</sub> ) dB(A)		Sound power level (L <sub>WA</sub> ) dB(A)		Applicable standard
	L <sub>PA</sub> dB(A)	Uncertainty (K) dB(A)	L <sub>WA</sub> dB(A)	Uncertainty (K) dB(A)	
2-tooth blade	81.7	0.5	93.9	0.8	ISO22868 (ISO11806-1)
4-tooth blade	83.0	0.3	97.6	0.2	ISO22868 (ISO11806-1)
Nylon cutting head	80.0	0.9	91.8	1.0	ISO22868 (ISO11806-1)/ EN50636-2-91
Plastic blade	78.0	1.0	87.4	0.7	ISO22868 (ISO11806-1)/ EN50636-2-91

## Model UR201C

Cutting tool	Sound pressure level ( $L_{pA}$ ) dB(A)		Sound power level ( $L_{WA}$ ) dB(A)		Applicable standard
	$L_{pA}$ dB(A)	Uncertainty (K) dB(A)	$L_{WA}$ dB(A)	Uncertainty (K) dB(A)	
2-tooth blade	81.7	0.5	93.9	0.8	ISO22868 (ISO11806-1)
4-tooth blade	83.0	0.3	97.6	0.2	ISO22868 (ISO11806-1)
Nylon cutting head	80.0	0.9	91.8	1.0	ISO22868 (ISO11806-1)/ EN50636-2-91
Plastic blade	78.0	1.0	87.4	0.7	ISO22868 (ISO11806-1)/ EN50636-2-91

- Even if the sound pressure level listed above is 80 dB (A) or less, the level under working may exceed 80 dB (A). Wear ear protection.

**NOTE:** The declared noise emission value(s) has been measured in accordance with a standard test method and may be used for comparing one tool with another.

**NOTE:** The declared noise emission value(s) may also be used in a preliminary assessment of exposure.

**⚠ WARNING: Wear ear protection.**

**⚠ WARNING: The noise emission during actual use of the power tool can differ from the declared value(s) depending on the ways in which the tool is used especially what kind of workpiece is processed.**

**⚠ WARNING: Be sure to identify safety measures to protect the operator that are based on an estimation of exposure in the actual conditions of use (taking account of all parts of the operating cycle such as the times when the tool is switched off and when it is running idle in addition to the trigger time).**

## Vibration

Applicable standard : ISO22867(ISO11806-1)

### Model UR101C

Cutting tool	Left hand		Right hand	
	$a_{h,W}$ ( $m/s^2$ )	Uncertainty K ( $m/s^2$ )	$a_{h,W}$ ( $m/s^2$ )	Uncertainty K ( $m/s^2$ )
2-tooth blade	≤ 2.5	1.5	≤ 2.5	1.5
4-tooth blade	≤ 2.5	1.5	≤ 2.5	1.5
Nylon cutting head	≤ 2.5	1.5	≤ 2.5	1.5
Plastic blade	≤ 2.5	1.5	≤ 2.5	1.5

### Model UR201C

Cutting tool	Left hand		Right hand	
	$a_{h,W}$ ( $m/s^2$ )	Uncertainty K ( $m/s^2$ )	$a_{h,W}$ ( $m/s^2$ )	Uncertainty K ( $m/s^2$ )
2-tooth blade	≤ 2.5	1.5	≤ 2.5	1.5
4-tooth blade	≤ 2.5	1.5	≤ 2.5	1.5
Nylon cutting head	≤ 2.5	1.5	≤ 2.5	1.5
Plastic blade	≤ 2.5	1.5	≤ 2.5	1.5

**NOTE:** The declared vibration total value(s) has been measured in accordance with a standard test method and may be used for comparing one tool with another.



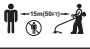








**NOTE:** The declared vibration total value(s) may also be used in a preliminary assessment of exposure.

**⚠️WARNING:** The vibration emission during actual use of the power tool can differ from the declared value(s) depending on the ways in which the tool is used especially what kind of workpiece is processed.

**⚠️WARNING:** Be sure to identify safety measures to protect the operator that are based on an estimation of exposure in the actual conditions of use (taking account of all parts of the operating cycle such as the times when the tool is switched off and when it is running idle in addition to the trigger time).

## Symbols

The followings show the symbols which may be used for the equipment. Be sure that you understand their meaning before use.

	Take particular care and attention.
	Read instruction manual.
	Keep distance at least 15 m.
	Danger; be aware of thrown objects.
	Caution; kickback
	Wear a helmet, goggles and ear protection.
	Wear protective gloves.
	Wear sturdy boots with nonslip soles. Steelted safety boots are recommended.
 Ni-MH Li-ion	Only for EU countries Due to the presence of hazardous components in the equipment, waste electrical and electronic equipment, accumulators and batteries may have a negative impact on the environment and human health. Do not dispose of electrical and electronic appliances or batteries with household waste! In accordance with the European Directive on waste electrical and electronic equipment and on accumulators and batteries and waste accumulators and batteries, as well as their adaptation to national law, waste electrical equipment, batteries and accumulators should be stored separately and delivered to a separate collection point for municipal waste, operating in accordance with the regulations on environmental protection. This is indicated by the symbol of the crossed-out wheeled bin placed on the equipment.
	Guaranteed sound power level according to EU Outdoor Noise Directive.
	Sound power level according to Australia NSW Noise Control Regulation.

## EC Declaration of Conformity

### For European countries only

The EC declaration of conformity is included as Annex A to this instruction manual.

## SAFETY WARNINGS

### General power tool safety warnings

**⚠️WARNING:** Read all safety warnings, instructions, illustrations and specifications provided with this power tool. Failure to follow all instructions listed below may result in electric shock, fire and/or serious injury.

### Save all warnings and instructions for future reference.

The term "power tool" in the warnings refers to your mains-operated (corded) power tool or battery-operated (cordless) power tool.

#### Work area safety

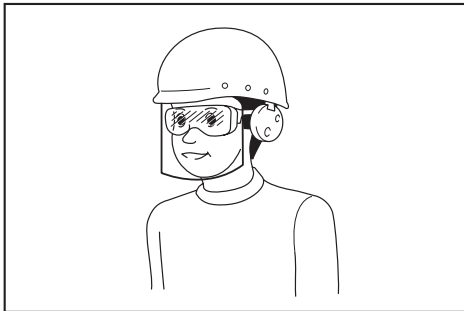
1. **Keep work area clean and well lit.** Cluttered or dark areas invite accidents.
2. **Do not operate power tools in explosive atmospheres, such as in the presence of flammable liquids, gases or dust.** Power tools create sparks which may ignite the dust or fumes.
3. **Keep children and bystanders away while operating a power tool.** Distractions can cause you to lose control.

#### Electrical safety

1. **Power tool plugs must match the outlet. Never modify the plug in any way. Do not use any adapter plugs with earthed (grounded) power tools.** Unmodified plugs and matching outlets will reduce risk of electric shock.
2. **Avoid body contact with earthed or grounded surfaces, such as pipes, radiators, ranges and refrigerators.** There is an increased risk of electric shock if your body is earthed or grounded.
3. **Do not expose power tools to rain or wet conditions.** Water entering a power tool will increase the risk of electric shock.
4. **Do not abuse the cord. Never use the cord for carrying, pulling or unplugging the power tool. Keep cord away from heat, oil, sharp edges or moving parts.** Damaged or entangled cords increase the risk of electric shock.
5. **When operating a power tool outdoors, use an extension cord suitable for outdoor use.** Use of a cord suitable for outdoor use reduces the risk of electric shock.
6. **If operating a power tool in a damp location is unavoidable, use a residual current device (RCD) protected supply.** Use of an RCD reduces the risk of electric shock.
7. **Power tools can produce electromagnetic fields (EMF) that are not harmful to the user.** However, users of pacemakers and other similar medical devices should contact the maker of their device and/or doctor for advice before operating this power tool.

## Personal safety

1. **Stay alert, watch what you are doing and use common sense when operating a power tool. Do not use a power tool while you are tired or under the influence of drugs, alcohol or medication.** A moment of inattention while operating power tools may result in serious personal injury.
2. **Use personal protective equipment. Always wear eye protection.** Protective equipment such as a dust mask, non-skid safety shoes, hard hat or hearing protection used for appropriate conditions will reduce personal injuries.
3. **Prevent unintentional starting. Ensure the switch is in the off-position before connecting to power source and/or battery pack, picking up or carrying the tool.** Carrying power tools with your finger on the switch or energising power tools that have the switch on invites accidents.
4. **Remove any adjusting key or wrench before turning the power tool on.** A wrench or a key left attached to a rotating part of the power tool may result in personal injury.
5. **Do not overreach. Keep proper footing and balance at all times.** This enables better control of the power tool in unexpected situations.
6. **Dress properly. Do not wear loose clothing or jewellery. Keep your hair and clothing away from moving parts.** Loose clothes, jewellery or long hair can be caught in moving parts.
7. **If devices are provided for the connection of dust extraction and collection facilities, ensure these are connected and properly used.** Use of dust collection can reduce dust-related hazards.
8. **Do not let familiarity gained from frequent use of tools allow you to become complacent and ignore tool safety principles.** A careless action can cause severe injury within a fraction of a second.
9. **Always wear protective goggles to protect your eyes from injury when using power tools. The goggles must comply with ANSI Z87.1 in the USA, EN 166 in Europe, or AS/NZS 1336 in Australia/New Zealand. In Australia/New Zealand, it is legally required to wear a face shield to protect your face, too.**



It is an employer's responsibility to enforce the use of appropriate safety protective equipments by the tool operators and by other persons in the immediate working area.

## Power tool use and care

1. **Do not force the power tool. Use the correct power tool for your application.** The correct power tool will do the job better and safer at the rate for which it was designed.
2. **Do not use the power tool if the switch does not turn it on and off.** Any power tool that cannot be controlled with the switch is dangerous and must be repaired.
3. **Disconnect the plug from the power source and/or remove the battery pack, if detachable, from the power tool before making any adjustments, changing accessories, or storing power tools.** Such preventive safety measures reduce the risk of starting the power tool accidentally.
4. **Store idle power tools out of the reach of children and do not allow persons unfamiliar with the power tool or these instructions to operate the power tool.** Power tools are dangerous in the hands of untrained users.
5. **Maintain power tools and accessories. Check for misalignment or binding of moving parts, breakage of parts and any other condition that may affect the power tool's operation. If damaged, have the power tool repaired before use.** Many accidents are caused by poorly maintained power tools.
6. **Keep cutting tools sharp and clean.** Properly maintained cutting tools with sharp cutting edges are less likely to bind and are easier to control.
7. **Use the power tool, accessories and tool bits etc. in accordance with these instructions, taking into account the working conditions and the work to be performed.** Use of the power tool for operations different from those intended could result in a hazardous situation.
8. **Keep handles and grasping surfaces dry, clean and free from oil and grease.** Slippery handles and grasping surfaces do not allow for safe handling and control of the tool in unexpected situations.
9. **When using the tool, do not wear cloth work gloves which may be entangled.** The entanglement of cloth work gloves in the moving parts may result in personal injury.

## Battery tool use and care

1. **Recharge only with the charger specified by the manufacturer.** A charger that is suitable for one type of battery pack may create a risk of fire when used with another battery pack.
2. **Use power tools only with specifically designated battery packs.** Use of any other battery packs may create a risk of injury and fire.
3. **When battery pack is not in use, keep it away from other metal objects, like paper clips, coins, keys, nails, screws or other small metal objects, that can make a connection from one terminal to another.** Shorting the battery terminals together may cause burns or a fire.
4. **Under abusive conditions, liquid may be ejected from the battery; avoid contact. If contact accidentally occurs, flush with water. If liquid contacts eyes, additionally seek medical help.** Liquid ejected from the battery may cause irritation or burns.

5. **Do not use a battery pack or tool that is damaged or modified.** Damaged or modified batteries may exhibit unpredictable behaviour resulting in fire, explosion or risk of injury.
6. **Do not expose a battery pack or tool to fire or excessive temperature.** Exposure to fire or temperature above 130 °C may cause explosion.
7. **Follow all charging instructions and do not charge the battery pack or tool outside the temperature range specified in the instructions.** Charging improperly or at temperatures outside the specified range may damage the battery and increase the risk of fire.

#### Service

1. **Have your power tool serviced by a qualified repair person using only identical replacement parts.** This will ensure that the safety of the power tool is maintained.
2. **Never service damaged battery packs.** Service of battery packs should only be performed by the manufacturer or authorized service providers.
3. **Follow instruction for lubricating and changing accessories.**

### Important safety instructions for the tool

**⚠WARNING:** Be sure to thoroughly read and understand this instruction manual as well as the instruction manual of the portable power pack to be used with this tool. Failure to follow the warnings and instructions may result in electric shock, fire and/or serious injury.

**⚠WARNING:** Read all safety warnings and all instructions. Failure to follow the warnings and instructions may result in electric shock, fire and/or serious injury.

### Save all warnings and instructions for future reference.

#### Intended use

1. This tool is only intended for cutting grass, weeds, bushes and undergrowth. It should not be used for any other purpose such as edging or hedge cutting as this may cause injury.

#### General instructions

1. Never allow people unfamiliar with these instructions, people (including children) with reduced physical, sensory or mental capabilities, or lack of experience and knowledge to use the tool. Children should be supervised to ensure that they do not play with the tool.
2. Before starting the tool, read this instruction manual to become familiar with the handling of the tool.
3. Do not lend the tool to a person with insufficient experience or knowledge regarding handling of brushcutters and string trimmers.
4. When lending the tool, always attach this instruction manual.

5. Handle the tool with the utmost care and attention.
6. Never use the tool after consuming alcohol or drugs, or if feeling tired or ill.
7. Never attempt to modify the tool.
8. Follow the regulations about handling of brushcutters and string trimmers in your country.

### Personal protective equipment

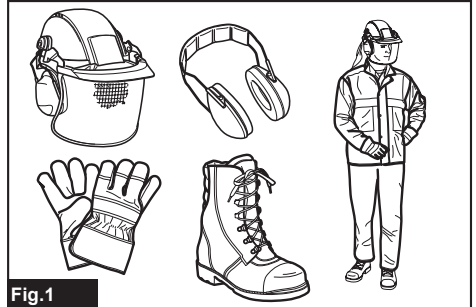


Fig.1

1. **Wear safety helmet, protective goggles and protective gloves to protect yourself from flying debris or falling objects.**
2. **Wear ear protection such as ear muffs to prevent hearing loss.**
3. **Wear proper clothing and shoes for safe operation, such as a work overall and sturdy, non-slip shoes. Do not wear loose clothing or jewelry.** Loose clothes, jewelry or long hair can be caught in moving parts.
4. **When touching the cutting blade, wear protective gloves.** Cutting blades can cut bare hands severely.

### Work area safety

1. **Operate the tool under good visibility and daylight conditions only. Do not operate the tool in darkness or fog.**
2. **Do not operate the tool in explosive atmospheres, such as in the presence of flammable liquids, gases or dust.** The tool creates sparks which may ignite the dust or fumes.
3. **During operation, never stand on an unstable or slippery surface or a steep slope. During the cold season, beware of ice and snow and always ensure secure footing.**
4. **During operation, keep bystanders or animals at least 15 m away from the tool. Stop the tool as soon as someone approaches.**
5. **Never operate the tool while people, especially children, or pets are nearby.**
6. **Before operation, examine the work area for stones or other solid objects.** They can be thrown or cause dangerous kickback and result in serious injury and/or property damage.

7. **⚠WARNING:** Use of this product can create dust containing chemicals which may cause respiratory or other illnesses. Some examples of these chemicals are compounds found in pesticides, insecticides, fertilizers and herbicides. Your risk from these exposures varies, depending on how often you do this type of work. To reduce your exposure to these chemicals: work in a well ventilated area, and work with approved safety equipment, such as those dust masks that are specially designed to filter out microscopic particles.

## Electrical and battery safety

1. **Do not expose the tool to rain or wet conditions.** Water entering the tool will increase the risk of electric shock.
2. **Do not use the tool if the switch does not turn it on and off.** Any tool that cannot be controlled with the switch is dangerous and must be repaired.
3. **Prevent unintentional starting. Ensure the switch is in the off-position before picking up or carrying the tool.** Carrying the tool with your finger on the switch or energising the tool that have the switch on invites accidents.
4. **Do not dispose of the battery(ies) in a fire.** The cell may explode. Check with local codes for possible special disposal instructions.
5. **Do not open or mutilate the battery(ies).** Released electrolyte is corrosive and may cause damage to the eyes or skin. It may be toxic if swallowed.
6. **Do not charge battery in rain, or in wet locations.**
7. **Do not replace the battery with wet hands.**
8. **Do not replace the battery in the rain.**
9. **Do not wet the terminal of battery with liquid such as water, or submerge the battery. Do not leave the battery in the rain, nor charge, use, or store the battery in a damp or wet place.** If the terminal gets wet or liquid enters inside of battery, the battery may be short circuited and there is a risk of overheat, fire, or explosion.
10. **Do not connect/disconnect the plug to/from the socket of the portable power pack in the rain or wet conditions. Do not leave, use, or store the tool and portable power pack in the rain or a damp or wet place.** Doing so may cause electric shock.
11. **After removing the battery from the portable power pack or charger, be sure to attach the battery cover to the battery and store it in a dry place.**
12. **If the battery cartridge gets wet, drain the water inside and then wipe it with a dry cloth. Dry the battery cartridge completely in a dry place before use.**

## Putting into operation

1. **Before assembling or adjusting the tool, disconnect the portable power pack from the tool.**
2. **Before handling the cutter blade, wear protective gloves.**
3. **Before connecting the portable power pack to the tool, inspect the tool for damages, loose screws/nuts or improper assembly. Sharpen blunt cutter blade. If the cutter blade is bent or damaged, replace it. Check all control levers and switches for easy action. Clean and dry the handles.**
4. **Never attempt to switch on the tool if it is damaged or not fully assembled.** Otherwise serious injury may result.
5. **Adjust the shoulder harness and hand grip to suit the operator's body size.**
6. **When connecting the portable power pack to the tool, keep the cutting attachment clear of your body and other object, including the ground.** It may rotate when starting and may cause injury or damage to the tool and/or property.
7. **Remove any adjusting key, wrench or blade cover before turning the tool on.** An accessory left attached to a rotating part of the tool may result in personal injury.
8. **The cutting tool has to be equipped with the guard. Never run the tool with damaged guards or without guards in place!**
9. **Make sure there are no electrical cables, water pipes, gas pipes etc. that could cause a hazard if damaged by use of the tool.**

## Operation

1. **In the event of an emergency, switch off the tool immediately.**
2. **If you feel any unusual condition (e.g. noise, vibration) during operation, switch off the tool and disconnect the portable power pack from the tool. Do not use the tool until the cause is recognized and solved.**
3. **The cutting attachment continues to rotate for a short period after turning the tool off. Don't rush to contact the cutting attachment.**
4. **During operation, use the shoulder harness. Keep the tool on your right side firmly.**
5. **Do not overreach. Keep proper footing and balance at all times. Watch for hidden obstacles such as tree stumps, roots and ditches to avoid stumbling.**
6. **Always be sure of your footing on slopes.**
7. **Walk, never run.**
8. **Never work on a ladder or tree to avoid loss of control.**
9. **If the tool gets heavy impact or fall, check the condition before continuing work. Check the controls and safety devices for malfunction. If there is any damage or doubt, ask our authorized service center for the inspection and repair.**
10. **Do not touch the gear case during and immediately after the operation.** The gear case becomes hot during operation and can cause burn injury.

11. **Take a rest to prevent loss of control caused by fatigue.** We recommend taking a 10 to 20-minute rest every hour.
12. **When you leave the tool, even if it is a short time, always disconnect the portable power pack from the tool.** The unattended tool with the battery cartridge installed may be used by unauthorized person and cause serious accident.
13. **If grass or branches get caught between the cutting attachment and guard, always turn the tool off and disconnect the portable power pack from the tool.** Otherwise the cutting attachment may rotate unintentionally and cause serious injury.
14. **Never touch moving hazardous parts before the moving hazardous parts have come to a complete stop and the portable power pack is disconnected from the tool.**
15. **If the cutting attachment hits stones or other hard objects, immediately turn the tool off. Then disconnect the portable power pack from the tool and inspect the cutting attachment.**
16. **Check the cutting attachment frequently during operation for cracks or damages. Before the inspection, disconnect the portable power pack from the tool and make sure that the cutting attachment stops completely. Replace damaged cutting attachment immediately, even if it has only superficial cracks.**
17. **Never cut above waist height.**
18. **Before starting the cutting operation, wait until the cutting attachment reaches a constant speed after turning the tool on.**
19. **When using a cutting blade, swing the tool evenly in half-circle from right to left, like using a scythe.**
20. **Hold the tool by insulated gripping surfaces only, because the cutter blade may contact hidden wiring. Cutter blades contacting a "live" wire may make exposed metal parts of the tool "live" and could give the operator an electric shock.**
21. **Do not start the tool when the cutting tool is tangled with cut grass.**
22. **Before starting the tool, be sure that the cutting tool is not touching the ground and other obstacles such as a tree.**
23. **During operation always hold the tool with both hands. Never hold the tool with one hand during use.**
24. **Do not use the tool when there is a risk of lightning.**
25. **When you use the tool on muddy ground, wet slope, or slippery place, pay attention to your footing.**
26. **Avoid working in poor environment where increased user fatigue is expected.**
27. **Do not use the tool in bad weather where visibility is limited.** Failure to do so may cause fall or incorrect operation due to low visibility.
28. **Do not submerge the tool into a puddle.**
29. **Do not leave the tool unattended outdoors in the rain.**
30. **When wet leaves or dirt adhere to the suction mouth (ventilation window) due to rain, remove them.**
31. **Do not use the tool in the snow.**

## Cutting tools

1. **Do not use a cutting tool which is not recommended by Makita.**
2. **Use an applicable cutting attachment for the job in hand.**
  - Nylon cutting heads (string trimmer heads) and plastic blades are suitable for trimming lawn grass.
  - Cutting blades are suitable for cutting weeds, high grasses, bushes, shrubs, underwood, thicket, and the like.
  - Never use other blades including metal multi-piece pivoting chains and flail blades. It may result in serious injury.
3. **Only use the cutting tool that are marked with a speed equal or higher than the speed marked on the tool.**
4. **Always keep your hands, face, and clothes away from the cutting tool when it is rotating.** Failure to do so may cause personal injury.
5. **Always use the cutting attachment guard properly suited for the cutting attachment used.**
6. **When using cutting blades, avoid kickback and always prepare for an accidental kickback. See the section for Kickback.**
7. **When not in use, attach the blade cover onto the blade. Remove the cover before operation.**

## Kickback (Blade thrust)

1. **Kickback (blade thrust) is a sudden reaction to a caught or bound cutting blade. Once it occurs, the tool is thrown sideways or toward the operator at great force and it may cause serious injury.**
2. **Kickback occurs particularly when applying the blade segment between 12 and 2 o'clock to solids, bushes and trees with 3 cm or larger diameter.**

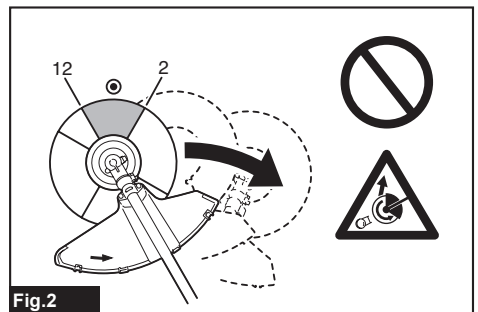


Fig.2

3. **To avoid kickback:**
  1. **Apply the segment between 8 and 11 o'clock.**
  2. **Never apply the segment between 12 and 2 o'clock.**
  3. **Never apply the segment between 11 and 12 o'clock and between 2 and 5 o'clock, unless the operator is well trained and experienced and does it at his/her own risk.**



- Never use cutting blades close to solids, such as fences, walls, tree trunks and stones.
- Never use cutting blades vertically, for such operations as edging and trimming hedges.

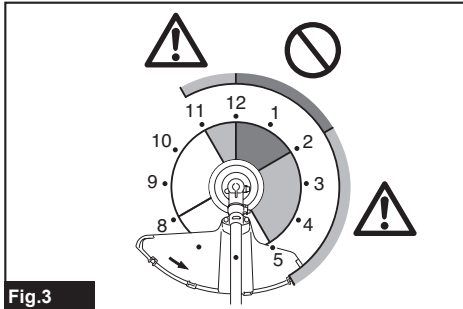


Fig.3

- Always use our genuine spare parts and accessories only. Using parts or accessories supplied by a third party may result in the tool breakdown, property damage and/or serious injury.
- Request our authorized service center to inspect and maintain the tool at regular interval.
- Always keep the tool in good working condition. Poor maintenance can result in inferior performance and shorten the life of the tool.
- Do not wash the tool with high pressure water.
- When washing the tool, do not let water enter the electrical mechanism such as motor and terminals.
- When storing the tool, avoid direct sunlight and rain, and store it in a place where it does not get hot or humid.
- Perform inspection or maintenance in a place where rain can be avoided.
- After using the tool, remove the adhered dirt and dry the tool completely before storing. Depending on the season or the area, there is a risk of malfunction due to freezing.
- Keep all cooling air inlets clear of debris.

## Vibration

- People with poor circulation who are exposed to excessive vibration may experience injury to blood vessels or the nervous system. Vibration may cause the following symptoms to occur in the fingers, hands or wrists: "Falling asleep" (numbness), tingling, pain, stabbing sensation, alteration of skin color or of the skin. If any of these symptoms occur, see a physician!
- To reduce the risk of "white finger disease", keep your hands warm during operation and well maintain the tool and accessories.

## Transport

- Before transporting the tool, turn it off and disconnect the portable power pack from the tool. Attach the cover to the cutting blade.
- When transporting the tool, carry it in a horizontal position by holding the shaft.
- When transporting the tool in a vehicle, properly secure it to avoid turnover. Otherwise damage to the tool and other baggage may result.

## Maintenance

- Have your tool serviced by our authorized service center, always using only genuine replacement parts. Incorrect repair and poor maintenance can shorten the life of the tool and increase the risk of accidents.
- Before doing any maintenance or repair work or cleaning the tool, always turn it off and disconnect the portable power pack from the tool.
- Always wear protective gloves when handling the cutting blade.
- Always clean dust and dirt off the tool. Never use gasoline, benzine, thinner, alcohol or the like for the purpose. Discoloration, deformation or cracks of the plastic components may result.
- After each use, tighten all screws and nuts.
- Do not attempt any maintenance or repair not described in the instruction manual. Ask our authorized service center for such work.

## Storage

- Before storing the tool, perform full cleaning and maintenance. Disconnect the portable power pack from the tool. Attach the cover to the cutting blade.
- Store the tool in a dry and high or locked location out of reach of children.
- Do not prop the tool against something, such as a wall. Otherwise it may fall suddenly and cause an injury.

## First aid

- Always have a first-aid kit close by. Immediately replace any item taken from the first aid kit.
- When asking for help, give the following information:
  - Place of the accident
  - What happened
  - Number of injured persons
  - Nature of the injury
  - Your name

## Important safety instructions for battery cartridge

- Before using battery cartridge, read all instructions and cautionary markings on (1) battery charger, (2) battery, and (3) product using battery.
- Do not disassemble or tamper with the battery cartridge. It may result in a fire, excessive heat, or explosion.
- If operating time has become excessively shorter, stop operating immediately. It may result in a risk of overheating, possible burns and even an explosion.

4. If electrolyte gets into your eyes, rinse them out with clear water and seek medical attention right away. It may result in loss of your eyesight.
5. Do not short the battery cartridge:
  - (1) Do not touch the terminals with any conductive material.
  - (2) Avoid storing battery cartridge in a container with other metal objects such as nails, coins, etc.
  - (3) Do not expose battery cartridge to water or rain.
17. Unless the tool supports the use near high-voltage electrical power lines, do not use the battery cartridge near high-voltage electrical power lines. It may result in a malfunction or breakdown of the tool or battery cartridge.
18. Keep the battery away from children.

## SAVE THESE INSTRUCTIONS.

**⚠ CAUTION:** Only use genuine Makita batteries. Use of non-genuine Makita batteries, or batteries that have been altered, may result in the battery bursting causing fires, personal injury and damage. It will also void the Makita warranty for the Makita tool and charger.

- A battery short can cause a large current flow, overheating, possible burns and even a breakdown.**
6. Do not store and use the tool and battery cartridge in locations where the temperature may reach or exceed 50 °C (122 °F).
  7. Do not incinerate the battery cartridge even if it is severely damaged or is completely worn out. The battery cartridge can explode in a fire.
  8. Do not nail, cut, crush, throw, drop the battery cartridge, or hit against a hard object to the battery cartridge. Such conduct may result in a fire, excessive heat, or explosion.
  9. Do not use a damaged battery.
  10. The contained lithium-ion batteries are subject to the Dangerous Goods Legislation requirements.
 

For commercial transports e.g. by third parties, forwarding agents, special requirement on packaging and labeling must be observed. For preparation of the item being shipped, consulting an expert for hazardous material is required. Please also observe possibly more detailed national regulations.

Tape or mask off open contacts and pack up the battery in such a manner that it cannot move around in the packaging.
  11. When disposing the battery cartridge, remove it from the tool and dispose of it in a safe place. Follow your local regulations relating to disposal of battery.
  12. Use the batteries only with the products specified by Makita. Installing the batteries to non-compliant products may result in a fire, excessive heat, explosion, or leak of electrolyte.
  13. If the tool is not used for a long period of time, the battery must be removed from the tool.
  14. During and after use, the battery cartridge may take on heat which can cause burns or low temperature burns. Pay attention to the handling of hot battery cartridges.
  15. Do not touch the terminal of the tool immediately after use as it may get hot enough to cause burns.
  16. Do not allow chips, dust, or soil stuck into the terminals, holes, and grooves of the battery cartridge. It may cause heating, catching fire, burst and malfunction of the tool or battery cartridge, resulting in burns or personal injury.

## Tips for maintaining maximum battery life

1. Charge the battery cartridge before completely discharged. Always stop tool operation and charge the battery cartridge when you notice less tool power.
2. Never recharge a fully charged battery cartridge. Overcharging shortens the battery service life.
3. Charge the battery cartridge with room temperature at 10 °C - 40 °C (50 °F - 104 °F). Let a hot battery cartridge cool down before charging it.
4. When not using the battery cartridge, remove it from the tool or the charger.
5. Charge the battery cartridge if you do not use it for a long period (more than six months).

# PARTS DESCRIPTION

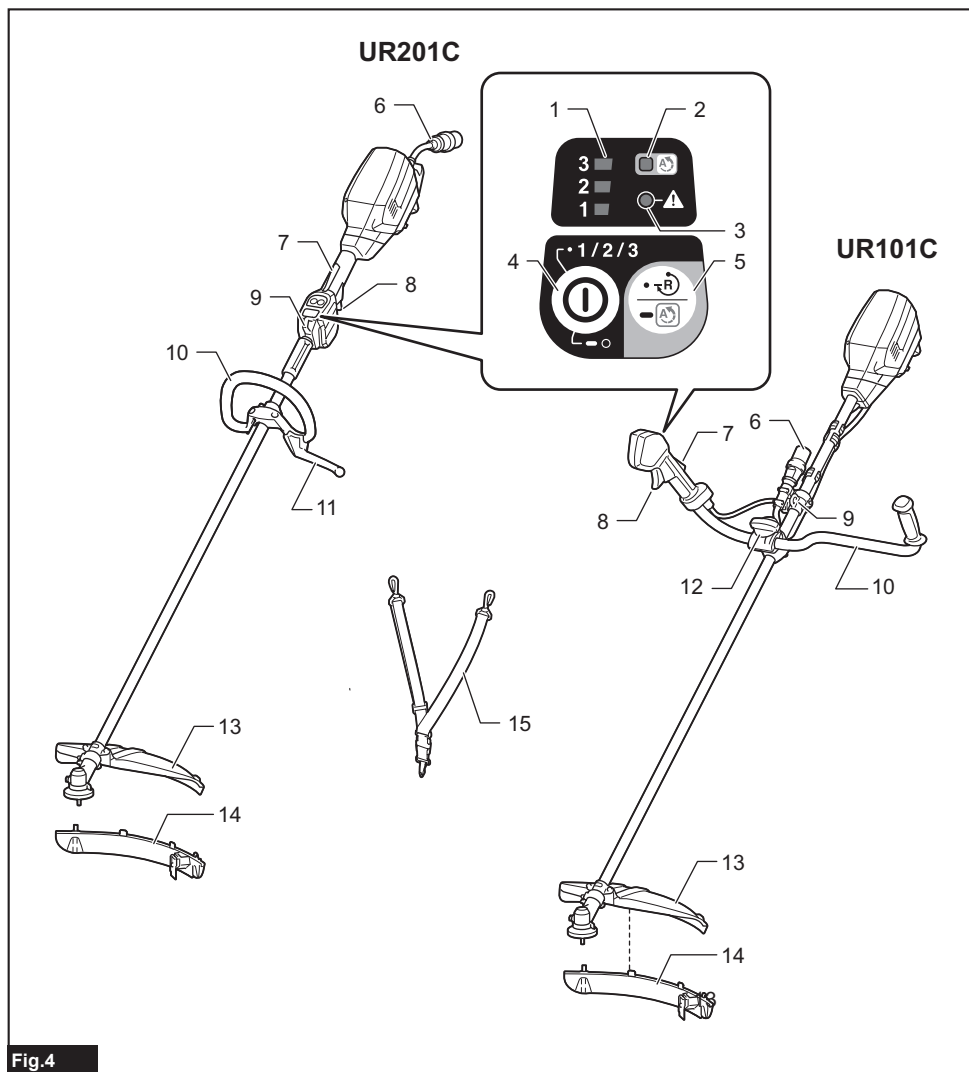


Fig.4

1	Speed indicator	2	ADT indicator (ADT = Automatic Torque Drive Technology)	3	Caution lamp	4	Main power button
5	Reverse button	6	Plug	7	Lock-off lever	8	Switch trigger
9	Hanger	10	Handle	11	Barrier	12	Knob
13	Protector	14	Protector extension (for nylon cutting head / plastic blade)	15	Hanging band	-	-

# FUNCTIONAL DESCRIPTION

**⚠ WARNING:** Always be sure that the tool is switched off and the portable power pack is disconnected from the tool before adjusting or checking function on the tool. Failure to switch off and disconnect the portable power pack may result in serious personal injury from accidental start-up.

## Tool / battery protection system

The tool is equipped with a tool/battery protection system. This system automatically cuts off power to the motor to extend tool and battery life. The tool will automatically stop during operation if the tool is placed under one of the following conditions:

Caution lamp		Status
Color	● On    ● Blinking	
Green	● (blinking)	Overload
Red	● (tool) / ● (battery)	Overheat
Red	● (blinking)	Over discharge

## Overload protection

If the tool gets into one of the following situation, the tool automatically stops and the caution lamp starts blinking in green:

- The tool is overloaded by entangled weeds or other debris.
- The cutting tool is locked or kicked back.
- The main power button is turned on while the switch trigger is being pulled.

In this situation, release the switch trigger and remove entangled weeds or debris if necessary. After that, pull the switch trigger again to resume.

**⚠ CAUTION:** If you need to remove the entangled weeds on the tool or release the locked cutting tool, be sure to turn the tool off before you start.

## Overheat protection for tool or battery

If the tool or battery cartridge is overheated, the tool stops automatically. When the tool is overheated, the caution lamp lights up in red. When the battery cartridge is overheated, the caution lamp blinks in red. Let the tool and/or battery cool down before turning the tool on again.

## Overdischarge protection

When the battery capacity becomes low, the tool stops automatically and the caution lamp starts blinking in red. If the tool does not operate even when the switches are operated, remove the battery cartridge from the tool and charge it.

## Main power switch

Tap the main power button to turn on the tool. To turn off the tool, press and hold the main power button until the speed indicator goes off.

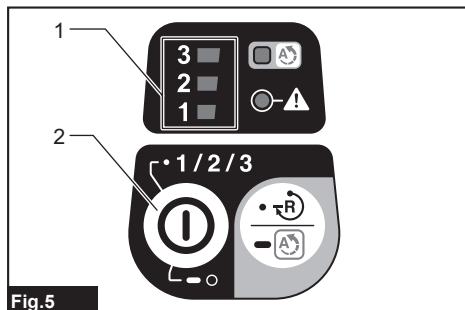


Fig.5

► 1. Speed indicator 2. Main power button

**NOTE:** The tool will automatically turned off if it is left without any operations for a certain period of time.

## Switch action

**⚠ WARNING:** For your safety, this tool is equipped with lock-off lever which prevents the tool from unintended starting. NEVER use the tool if it runs when you simply pull the switch trigger without pressing the lock-off lever. Return the tool to our authorized service center for proper repairs BEFORE further usage.

**⚠ WARNING:** NEVER tape down or defeat purpose and function of lock-off lever.

**⚠ CAUTION:** Before connecting the portable power pack to the tool, always check to see that the switch trigger actuates properly and returns to the "OFF" position when released. Operating a tool with a switch that does not actuate properly can lead to loss of control and serious personal injury.

**⚠ CAUTION:** Never put your finger on the main power button and switch trigger when carrying the tool. The tool may start unintentionally and cause injury.

**NOTICE:** Do not pull the switch trigger hard without pressing the lock-off lever. This can cause switch breakage.

To prevent the switch trigger from being accidentally pulled, a lock-off lever is provided. To start the tool, depress the lock-off lever and pull the switch trigger. The tool speed increases by increasing pressure on the switch trigger. Release the switch trigger to stop.

#### UR101C

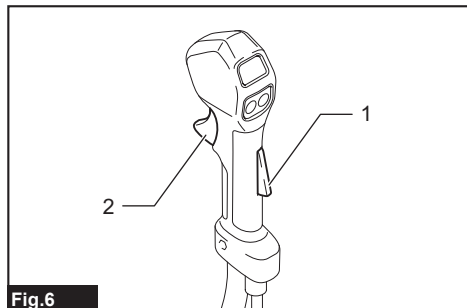


Fig.6

► 1. Lock-off lever 2. Switch trigger

#### UR201C

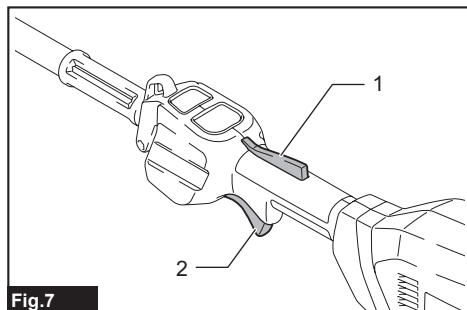


Fig.7

► 1. Lock-off lever 2. Switch trigger

### Speed adjusting

You can select the tool speed by tapping the main power button. Each time you tap the main power button, the level of speed will change. The tool automatically adjusts the rotation speed according to the cutting tool attached to the tool.

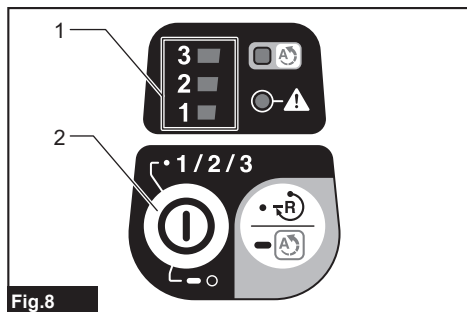


Fig.8

► 1. Speed indicator 2. Main power button

Speed indicator	Mode	Rotation speed	
		Cutter blade Plastic blade (305 mm)	Nylon cutting head Plastic blade (255 mm)
3 2 1	High	0 - 7,000 min <sup>-1</sup>	0 - 5,500 min <sup>-1</sup>
3 2 1	Medium	0 - 5,500 min <sup>-1</sup>	0 - 5,000 min <sup>-1</sup>
3 2 1	Low	0 - 4,600 min <sup>-1</sup>	0 - 4,600 min <sup>-1</sup>

### Automatic Torque Drive Technology

When you turn on the Automatic Torque Drive Technology (ADT), the tool runs at optimum rotation speed and torque for the condition of grass being cut. The tool automatically detects the cutting tool attached and chooses a suitable rotation speed.

To start ADT, press and hold the reverse button until the ADT indicator turns on.

To stop ADT, press and hold the reverse button until the ADT indicator turns off.

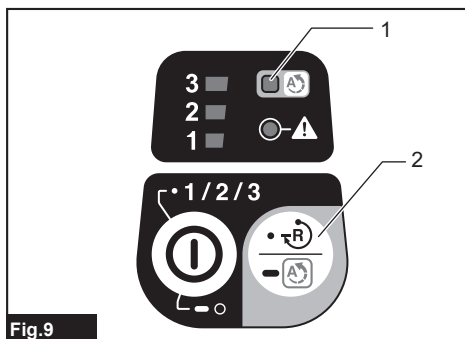


Fig.9

► 1. ADT indicator 2. Reverse button

Indicator	Mode	Cutting tool	Rotation speed
	ADT	Cutter blade Plastic blade (305 mm)	3,500 - 7,000 min <sup>-1</sup>
		Nylon cutting head Plastic blade (255 mm)	3,500 - 5,500 min <sup>-1</sup>

## Reverse button for debris removal

**⚠ WARNING:** Switch off the tool and disconnect the portable power pack from the tool before you remove entangled weeds or debris which the reverse rotation function can not remove. Failure to do so may result in serious personal injury from accidental start-up.

This tool has a reverse button to change the direction of rotation. It is only for removing weeds and debris entangled in the tool.

To reverse the rotation, tap the reverse button and pull the switch trigger while depressing the lock-off lever when the cutting tool is stopped. The speed indicators and ADT indicator start blinking, and the cutting tool rotates in reverse direction when you pull the switch trigger.

To return to regular rotation, release the trigger and wait until the cutting tool stops.

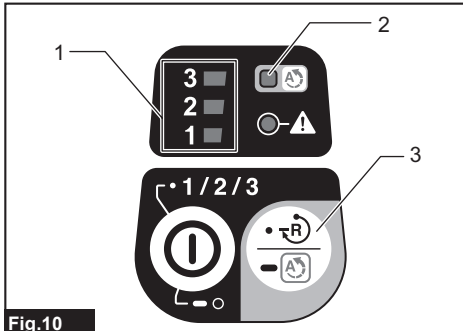


Fig.10

▶ 1. Speed indicator 2. ADT indicator 3. Reverse button

**NOTE:** During the reverse rotation, the tool operates only for a short period of time and then automatically stops.

**NOTE:** Once the tool is stopped, the rotation returns to regular direction when you start the tool again.

**NOTE:** If you tap the reverse button while the cutting tool is still rotating, the tool comes to stop and to be ready for reverse rotation.

## Electric brake

This tool is equipped with an electric brake. If the tool consistently fails to quickly stop after the switch trigger is released, have the tool serviced at our service center.

**⚠ CAUTION:** This brake system is not a substitute for the protector. Never use the tool without the protector. An unguarded cutting tool may result in serious personal injury.

## Electronic function

### Constant speed control

The speed control function provides the constant rotation speed regardless of load conditions.

### Soft start feature

Soft start because of suppressed starting shock.

## ASSEMBLY

**⚠ WARNING:** Always be sure that the tool is switched off and the portable power pack is disconnected from the tool before carrying out any work on the tool. Failure to switch off and disconnect the portable power pack may result in serious personal injury from accidental start-up.

**⚠ WARNING:** Never start the tool unless it is completely assembled. Operation of the tool in a partially assembled state may result in serious personal injury from accidental start-up.

## Installing the handle

For UR101C

1. Insert the shaft of the handle into the grip. Align the screw hole in the grip with the one in the shaft. Tighten the screw securely.

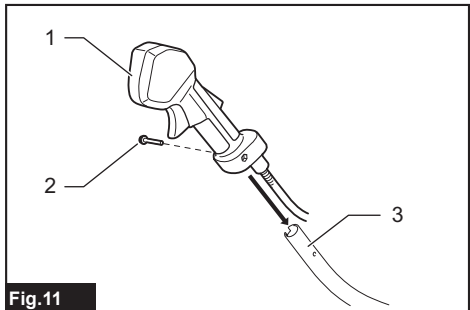


Fig.11

▶ 1. Grip 2. Screw 3. Shaft

**NOTICE:** Note the direction of the grip. The screw holes will not be aligned if the grip is not inserted in the correct direction.

2. Place the spring onto the base.

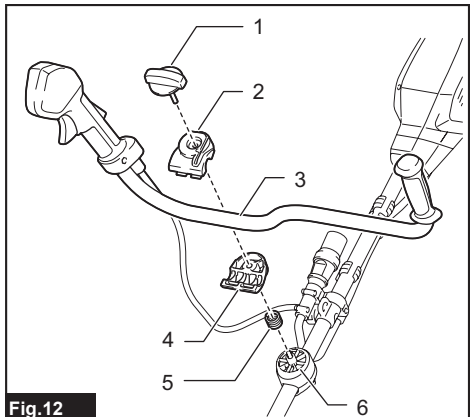


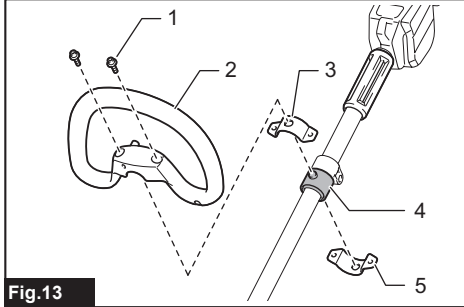
Fig.12

▶ 1. Knob 2. Handle clamp 3. Handle 4. Handle holder 5. Spring 6. Base

3. Place the handle between the handle clamp and handle holder.
4. Temporarily attach the handle by tightening the knob, and adjust the handle position.
5. Fully tighten the knob.

**For UR201C**

1. Attach the upper and lower clamps on the damper.
2. Put the handle on the upper clamp and fix it with hex socket head bolts as illustrated.



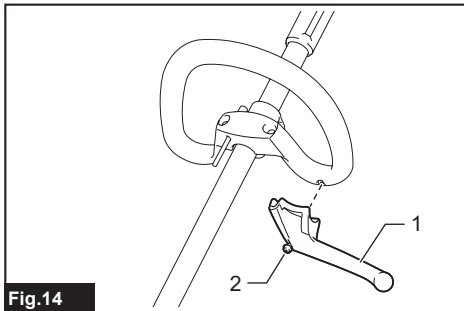
**Fig.13**

- 1. Hex socket head bolt 2. Handle 3. Upper clamp  
4. Damper 5. Lower clamp

**Attaching the barrier**

**For the loop handle model only (country specific)**

If the barrier is included in your model, attach it to the handle using the screw on the barrier.



**Fig.14**

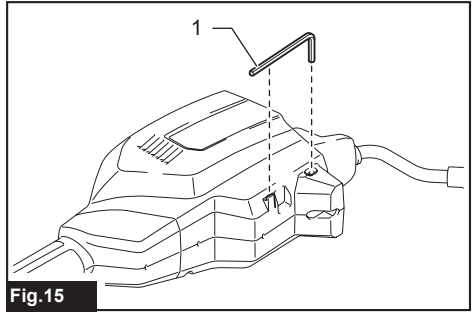
- 1. Barrier 2. Screw

**CAUTION:** After assembling the barrier, do not remove it. The barrier works as a safety part to prevent you from contacting the cutting blade accidentally.

**Hex wrench storage**

**CAUTION:** Be careful not to leave the hex wrench inserted in the tool head. It may cause injury and/or damage to the tool.

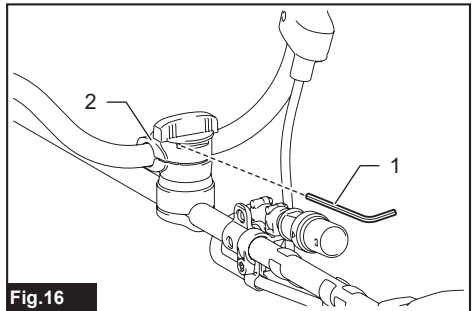
When not in use, store the hex wrench as illustrated to keep it from being lost.



**Fig.15**

- 1. Hex wrench

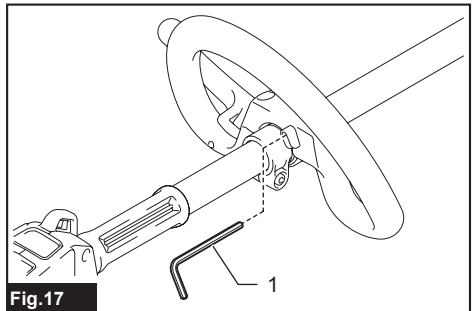
For the bike handle model, the hex wrench can be stored on the handle clamp as illustrated.



**Fig.16**

- 1. Hex wrench 2. Handle clamp

For the loop handle model, the hex wrench can be stored on the handle as illustrated.

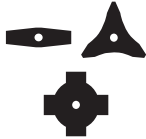

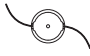
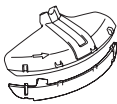



**Fig.17**

- 1. Hex wrench

## Correct combination of the cutting tool and the protector

**CAUTION:** Always use the correct combination of cutting tool and the protector. A wrong combination may not protect you from the cutting tool, flying debris, and stones. It can also affect the balance of the tool and result in an injury.

Cutting tool	Protector
Cutter blade (2-tooth, 3-tooth, 4-tooth blades) 	
Nylon cutting head 	
Plastic blade 	

## Installing the protector

**WARNING:** Never use the tool without the guard or with the guard improperly installed. Failure to do so can cause serious personal injury.

**NOTE:** The type of the protector supplied as the standard accessory varies depending on the countries.

## For cutter blade

Attach the protector to the clamp using bolts.

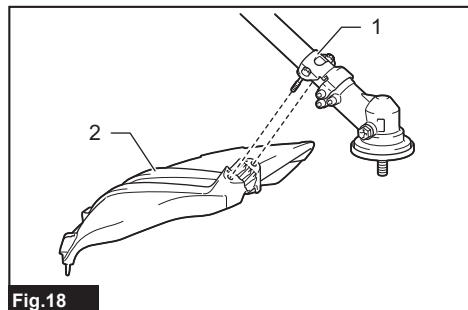


Fig.18

► 1. Clamp 2. Protector

## For nylon cutting head / plastic blade

**CAUTION:** Take care not to injure yourself on the cutter for cutting the nylon cord.

Attach the protector to the clamp using bolts. After that, install the protector extension. Insert the protector extension to the protector and then snap the clips on. Make sure that the tabs on the protector extension fit into the slots on the protector.

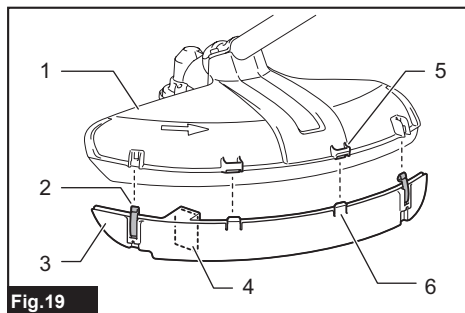


Fig.19

► 1. Protector 2. Clip 3. Protector extension 4. Cutter 5. Slot 6. Tab

To remove the protector extension from the protector, unclasp the clips by inserting the hex wrench as illustrated.

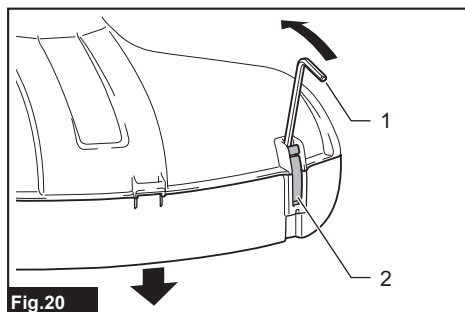


Fig.20

► 1. Hex wrench 2. Clip

## Installing the cutting tool

**CAUTION:** Always use the supplied wrenches to remove or to install the cutting tool.

**CAUTION:** Be sure to remove the hex wrench inserted into the tool head after installing the cutting tool.

**NOTE:** The type of the cutting tool(s) supplied as the standard accessory varies depending on the countries. The cutting tool is not included in some countries.

**NOTE:** Turn the tool upside down so that you can replace the cutting tool easily.



## Cutter blade

**CAUTION:** When handling a cutter blade, always wear gloves and put the blade cover on the blade.

**CAUTION:** The cutter blade must be well polished, and free of cracks or breakage. If the cutter blade hits a stone during operation, stop the tool and check the cutter blade immediately.

**CAUTION:** Always use the cutter blade with the diameter described in the section for specifications.

1. Put the blade cover on the cutter blade.

### 2-tooth blade

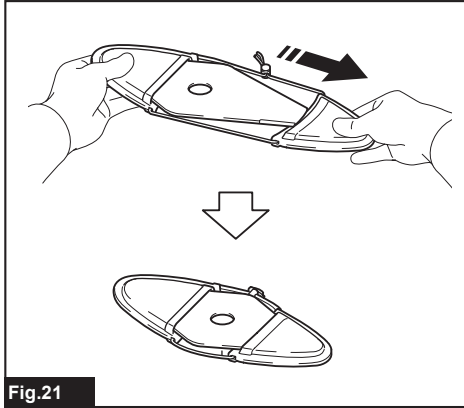


Fig.21

### 3-tooth blade

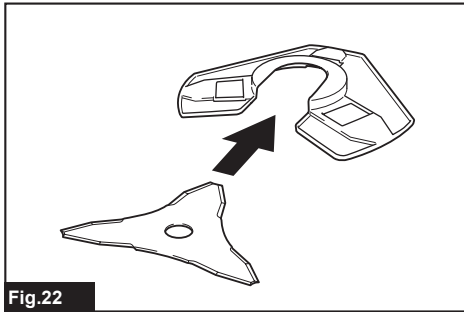


Fig.22

### 4-tooth blade

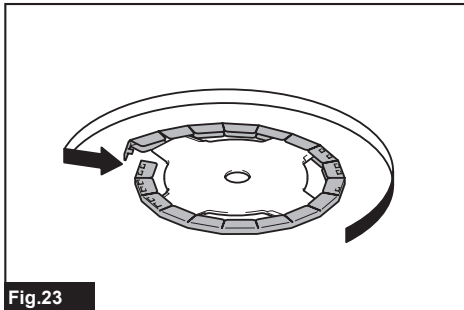


Fig.23

2. Insert the hex wrench through the hole in the gear case to lock the spindle. Rotate the spindle until the hex wrench is fully inserted.

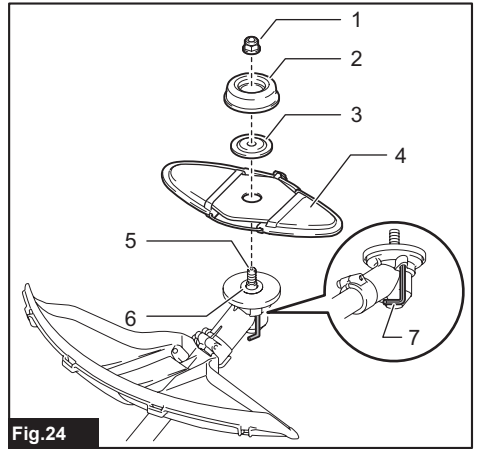


Fig.24

1. Nut 2. Cup 3. Clamp washer 4. Cutter blade 5. Spindle 6. Receive washer 7. Hex wrench

3. Mount the cutter blade onto the receive washer so that the arrows on the cutter blade and protector are pointing in the same direction.

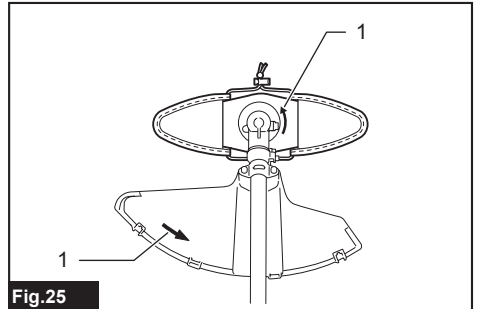


Fig.25

1. Arrow

4. Put the clamp washer and cup onto the cutter blade and then tighten the nut securely by the box wrench.

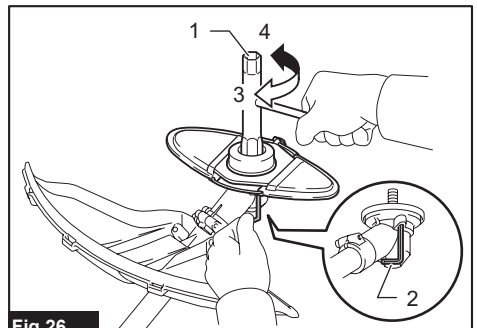


Fig.26

1. Box wrench 2. Hex wrench 3. Loosen 4. Tighten

**NOTE:** Tightening torque : 20 - 30 N•m

- Remove the hex wrench from the gear case.

To remove the cutter blade, follow the installation procedures in reverse.

## Nylon cutting head

**NOTICE:** Be sure to use genuine Makita nylon cutting head.

There are two types of nylon cutting head; the bump & feed type and the manual feed type.

### Bump & feed type

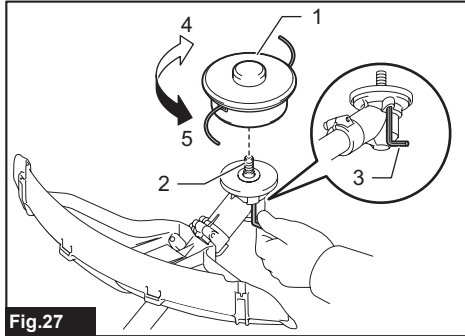


Fig.27

- Nylon cutting head
- Spindle
- Hex wrench
- Loosen
- Tighten

- Insert the hex wrench through the hole in the gear case to lock the spindle. Rotate the spindle until the hex wrench is fully inserted.
- Place the nylon cutting head onto the spindle and tighten it securely by hand.
- Remove the hex wrench from the gear case.

To remove the nylon cutting head, follow the installation procedures in reverse.

### Manual feed type

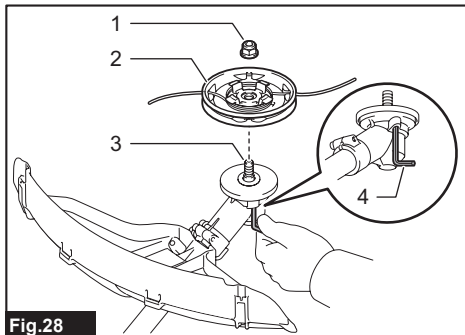


Fig.28

- Nut
- Nylon cutting head
- Spindle
- Hex wrench

- Insert the hex wrench through the hole in the gear case to lock the spindle. Rotate the spindle until the hex wrench is fully inserted.

- Place the nylon cutting head onto the spindle and tighten the nut securely by the box wrench.

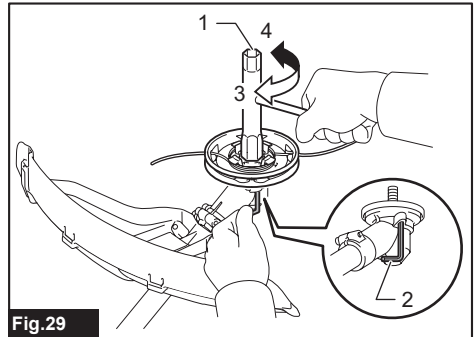


Fig.29

- Box wrench
- Hex wrench
- Loosen
- Tighten

- Remove the hex wrench from the gear case.

To remove the nylon cutting head, follow the installation procedures in reverse.

## Plastic blade

**NOTICE:** Be sure to use genuine Makita plastic blade.

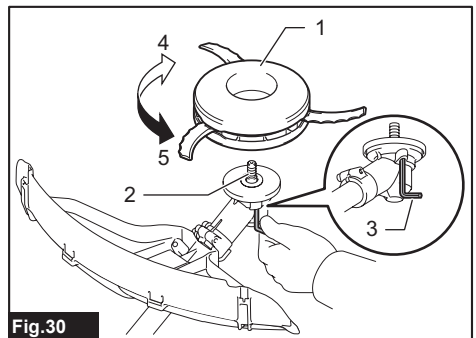


Fig.30

- Plastic blade
- Spindle
- Hex wrench
- Loosen
- Tighten

- Insert the hex wrench through the hole in the gear case to lock the spindle. Rotate the spindle until the hex wrench is fully inserted.
- Place the plastic blade onto the spindle and tighten it securely by hand.
- Remove the hex wrench from the gear case.

To remove the plastic blade, follow the installation procedures in reverse.

# OPERATION

## Adjusting the working position

**⚠CAUTION:** Before performing this procedure, install the battery cartridge(s) to the portable power pack and finish the adjustments for the waist belt and shoulder harness. Refer to the instruction manual of the portable power pack for detail.

**⚠CAUTION:** To prevent unintentional start up, never turn on the portable power pack throughout this procedure. The battery cartridge(s) is to be installed only to obtain the usability with actual weight balance.

**⚠CAUTION:** When you use the tool in combination of the backpack-type power supply such as portable power pack, use the hanging band included in the tool package or the hanging band recommended by Makita.

If you put on the shoulder harness not recommended by Makita and the shoulder harness of the backpack-type power supply at the same time, removing the tool or backpack-type power supply is difficult in case of an emergency, and it may cause an accident or injury. For the recommended hanging band, ask Makita Authorized Service Centers.

1. Pull out the cord from the right side of the portable power pack. When pulling out the cord, be sure to set the cord in the holders as shown in the figure.

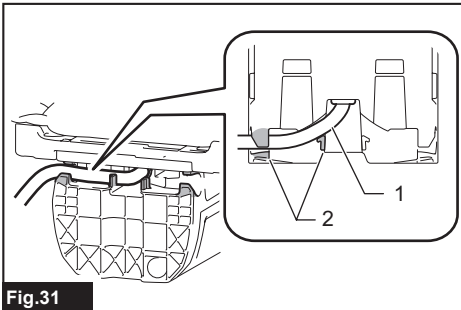


Fig.31

- ▶ 1. Cord 2. Holder

2. Attach the hooks of the hanging band to the rings of the shoulder belts or waist harness as shown in the figure.

## Attaching hanging band to the shoulder belt

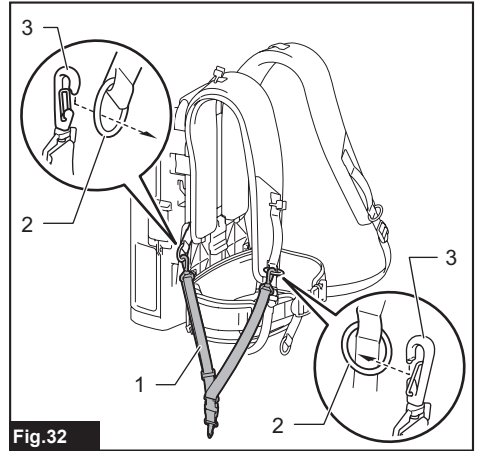


Fig.32

- ▶ 1. Hanging band 2. Ring 3. Hook

## Attaching hanging band to the shoulder belt and waist belt

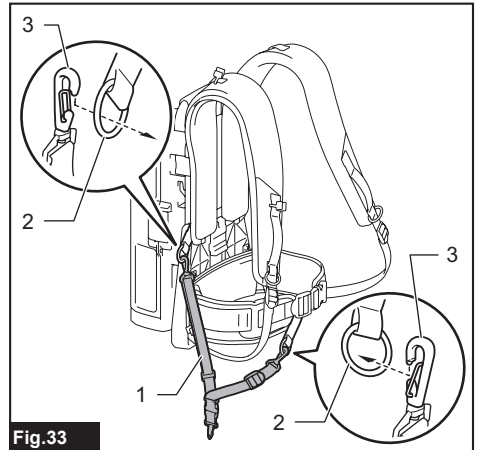
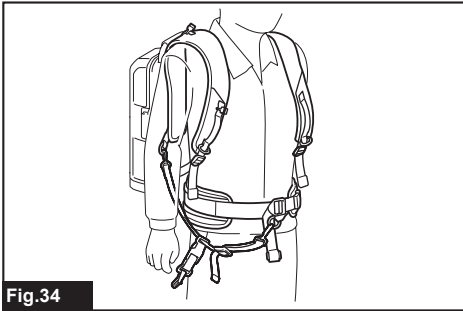


Fig.33

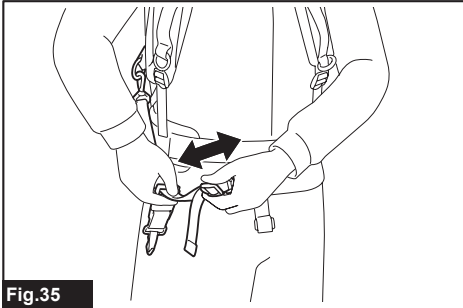
- ▶ 1. Hanging band 2. Ring 3. Hook

- Wear the shoulder harness of the portable power pack and lock the buckle on the waist belt.



**Fig.34**

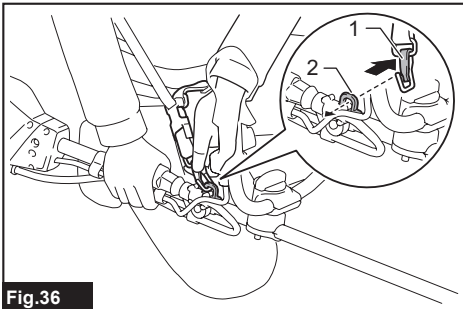
Adjust the length of the hanging band as necessary.



**Fig.35**

- Attach the tool to the shoulder harness using the hook on the hanging band. Be sure to hook on the hanger of the tool.

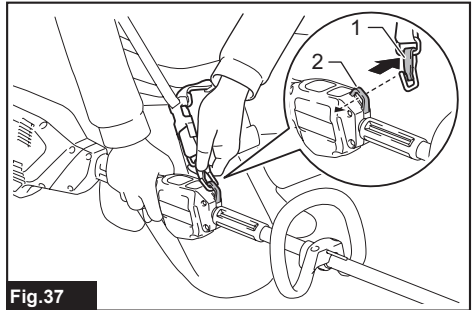
**UR101C**



**Fig.36**

- 1. Hook 2. Hanger

**UR201C**

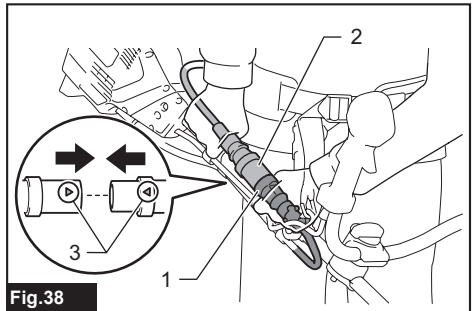


**Fig.37**

- 1. Hook 2. Hanger

- Insert the plug of the tool into the socket of the portable power pack. When inserting, align the triangle marking on both the plug and the socket.

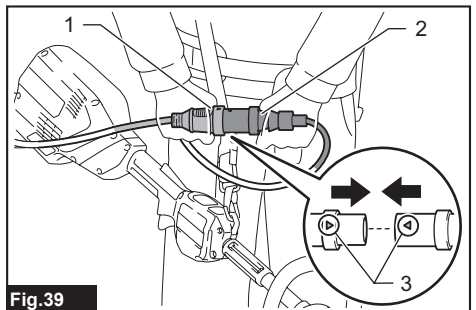
**UR101C**



**Fig.38**

- 1. Plug 2. Socket 3. Triangle marking

**UR201C**



**Fig.39**

- 1. Plug 2. Socket 3. Triangle marking

- Adjust the cord length using the holder as necessary.

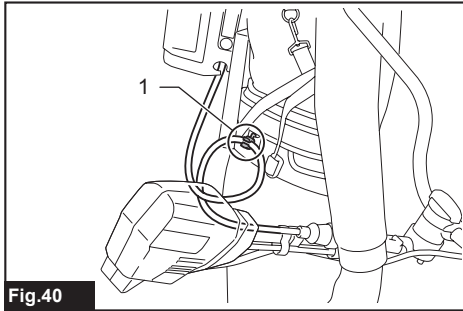


Fig.40

- ▶ 1. Holder

The cord length is properly adjusted when you can;

- swing the tool without any hindrance by the cord;
- swing the tool without letting the cord flopping and;
- disconnect the plug from the socket without taking off the shoulder harness of the portable power pack.

**CAUTION:** Allow the cord to have a appropriate play between the tool and portable power pack. If the play is too little, the tool movement may be hindered. If the play is too much, the cord may be caught by other object and result in accident.

## Adjusting the hanger position

*For UR101C only*

For more comfortable handling of the tool, you can change the hanger position.

- Loosen the screw on the hanger and slide it to a comfortable working position.

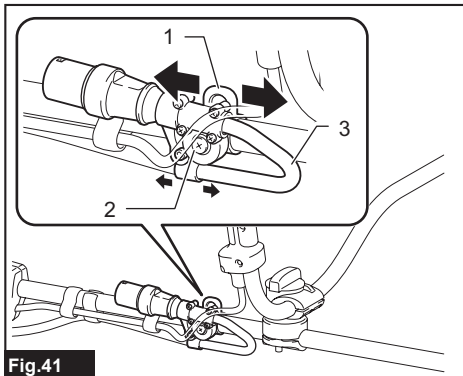


Fig.41

- ▶ 1. Hanger 2. Screw 3. Cord

**NOTICE:** When adjusting the hanger position, also adjust the cord position.

- Adjust the hanger position as shown in the figure and then tighten the screw.

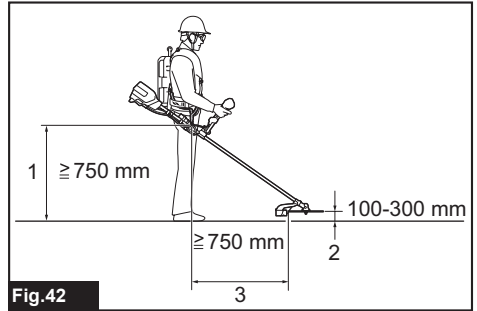


Fig.42

1	The hanger position from the ground
2	The cutting tool position from the ground
3	The horizontal distance between the hanger and the unguarded part of the cutting tool

## Starting the operation

**CAUTION:** Before operation, finish adjusting the working position by following the instructions in the section for the working position.

**CAUTION:** Before operation, make sure that the buckles on the waist belt is locked and the tool is securely attached to the hook of the hanging band.

**CAUTION:** Always press the main power button to turn on the tool immediately before cutting grass. Failure to do so may cause personal injury due to unintentional start up.

- Install the battery cartridge(s) to the portable power pack.

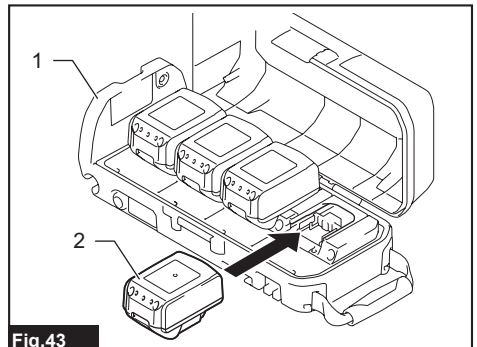
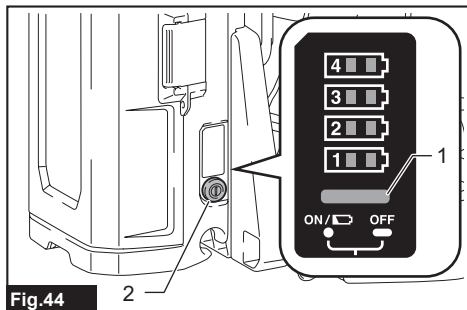


Fig.43

- ▶ 1. Portable power pack 2. Battery cartridge

**NOTE:** Refer to the instruction manual of your portable power pack for how to install the battery cartridges.

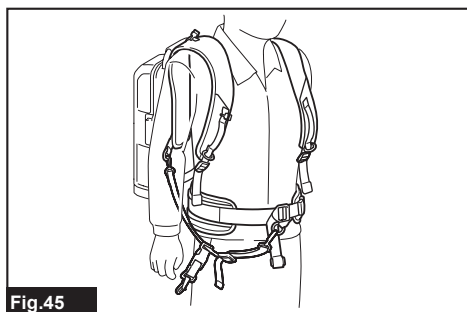
- Press the power button on the portable power pack. The main power lamp will light up.



**Fig.44**

- Main power lamp
- Power button

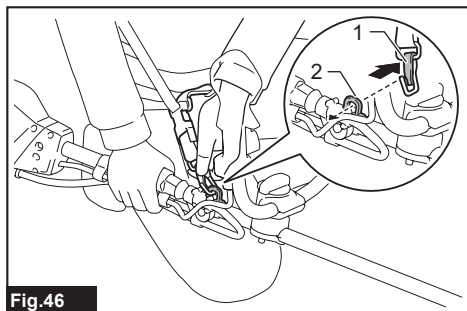
- Wear the shoulder harness of the portable power pack and lock the buckle on the waist belt.



**Fig.45**

- Attach the tool to the shoulder harness using the hook on the hanging band. Be sure to hook on the hanger of the tool.

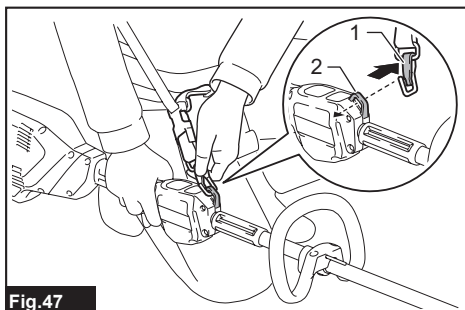
#### UR101C



**Fig.46**

- Hook
- Hanger

#### UR201C



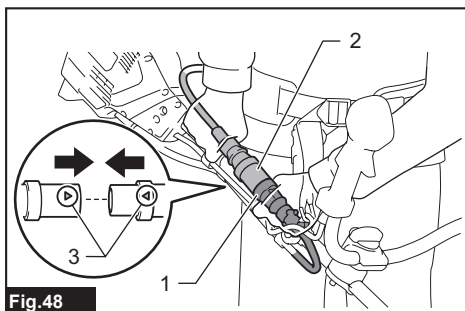
**Fig.47**

- Hook
- Hanger

- Insert the plug of the tool into the socket of the portable power pack.

When inserting, align the triangle marking on both the plug and the socket.

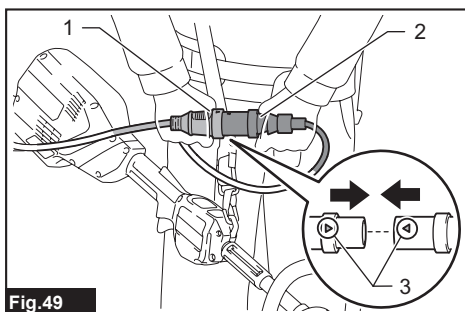
#### UR101C



**Fig.48**

- Plug
- Socket
- Triangle marking

#### UR201C



**Fig.49**

- Plug
- Socket
- Triangle marking

6. Tap the main power button to turn on the tool.  
The tool is ready to operate. The tool will run when you pull the switch trigger.

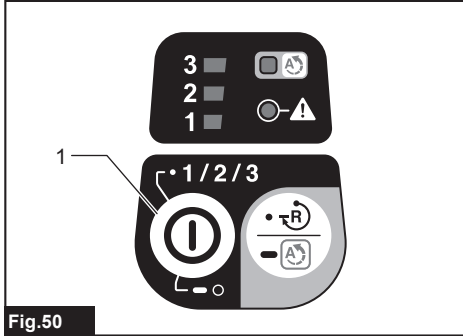


Fig.50

- 1. Main power button

**CAUTION:** When suspending the operation, always turn off the tool and remove the plug from the socket. Failure to do so may cause personal injury due to unintentional start up.

When quitting the operation, press and hold the main power button until the speed indicator goes off and then perform the above procedure in reverse.

### Correct handling of the tool

**WARNING:** Always position the tool on your right-hand side. Correct positioning of the tool allows for maximum control and will reduce the risk of serious personal injury caused by kickback.

**WARNING:** Be extremely careful to maintain control of the tool at all times. Do not allow the tool to be deflected toward you or anyone in the work vicinity. Failure to keep control of the tool could result in serious injury to the bystander and the operator.

**WARNING:** To avoid accident, leave more than 15m (50 ft) distance between operators when two or more operators work in one area. Also, arrange a person to observe the distance between operators. If someone or an animal enters the working area, immediately stop the operation.

**CAUTION:** If the cutting tool accidentally impacts a rock or hard object during operation, stop the tool and inspect for any damage. If the cutting tool is damaged, replace it immediately. Use of a damaged cutting tool may result in serious personal injury.

**CAUTION:** Remove the blade cover from the cutter blade when cutting the grass.

Correct positioning and handling allow optimum control and reduce the risk of injury caused by kickback.

### UR101C

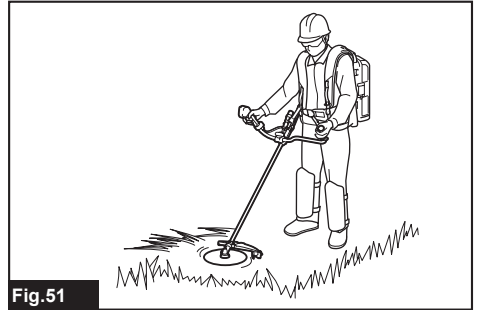


Fig.51

### UR201C

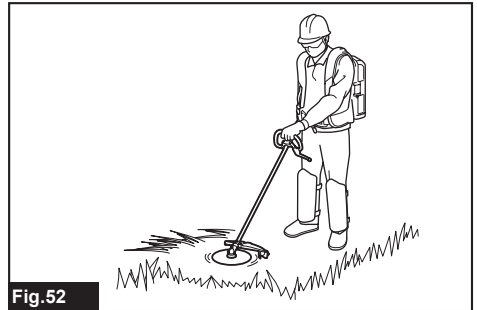


Fig.52

### When using a nylon cutting head (bump & feed type)

The nylon cutting head is a dual string trimmer head provided with a bump & feed mechanism. To feed out the nylon cord, tap the cutting head against the ground while rotating.

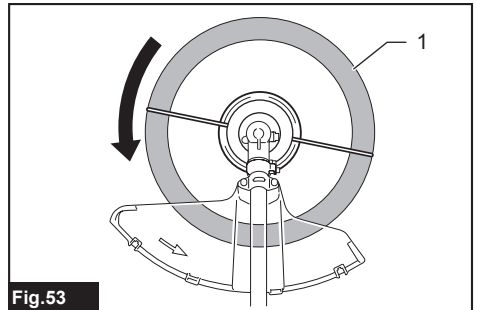


Fig.53

- 1. Most effective cutting area

**NOTICE:** The bump feed will not operate properly if the nylon cutting head is not rotating.

**NOTE:** If the nylon cord does not feed out while tapping the head, rewind/replace the nylon cord by following the procedures in the section for the maintenance.

## Emergency detachment

**CAUTION:** In case of emergency detachment, pay extra attention to the position of the rotating cutting tool.

In case of emergency, detach the tool in either way described below:

Unlock the buckle on the waist belt and take off the shoulder harness of the portable power pack which is connected to the tool.

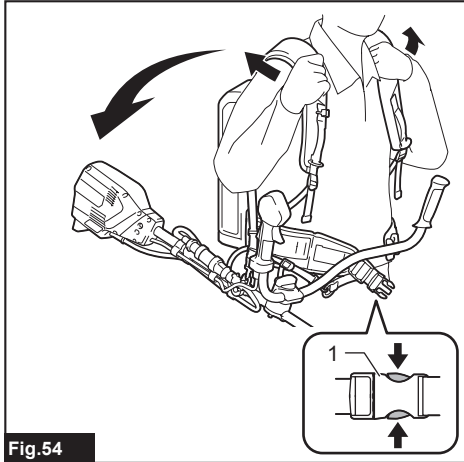


Fig.54

► 1. Buckle

Unlock the buckle on the hanging band and release the tool. The cord will be disconnected by the weight of the tool.

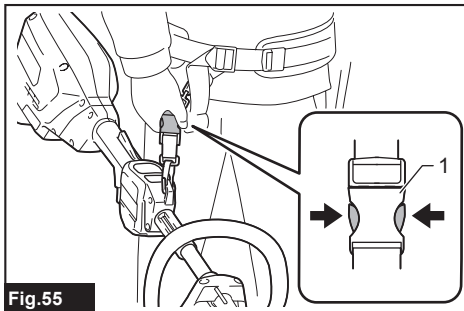


Fig.55

► 1. Buckle

## MAINTENANCE

**WARNING:** Always be sure that the tool is switched off and the portable power pack is disconnected from the tool before attempting to perform inspection or maintenance on the tool. Failure to switch off and disconnect the portable power pack may result in serious personal injury from accidental start-up.

**NOTICE:** Never use gasoline, benzine, thinner, alcohol or the like. Discoloration, deformation or cracks may result.

To maintain product SAFETY and RELIABILITY, repairs, any other maintenance or adjustment should be performed by Makita Authorized or Factory Service Centers, always using Makita replacement parts.

### Cleaning the tool

Clean the tool by wiping off dust, dirt, or cut off grass with a dry cloth or one dipped in soapy water and wrung out. To avoid overheating of the tool, be sure to remove the cut off grass or debris adhered to the vent of the tool.

### Replacing the nylon cord

**WARNING:** Use only the nylon cord with diameter specified in this instruction manual. Never use heavier line, metal wire, rope or the like. Failure to do so may cause damage to the tool and result in serious personal injury.

**WARNING:** Always remove the nylon cutting head from the tool when replacing the nylon cord.

**WARNING:** Make sure that the cover of the nylon cutting head is secured properly as described in this instruction manual. Failure to properly secure the cover may cause the nylon cutting head to fly apart resulting in serious personal injury.

Replace the nylon cord if it is not fed any more. The method of replacing the nylon cord varies depending on the type of the nylon cutting head.



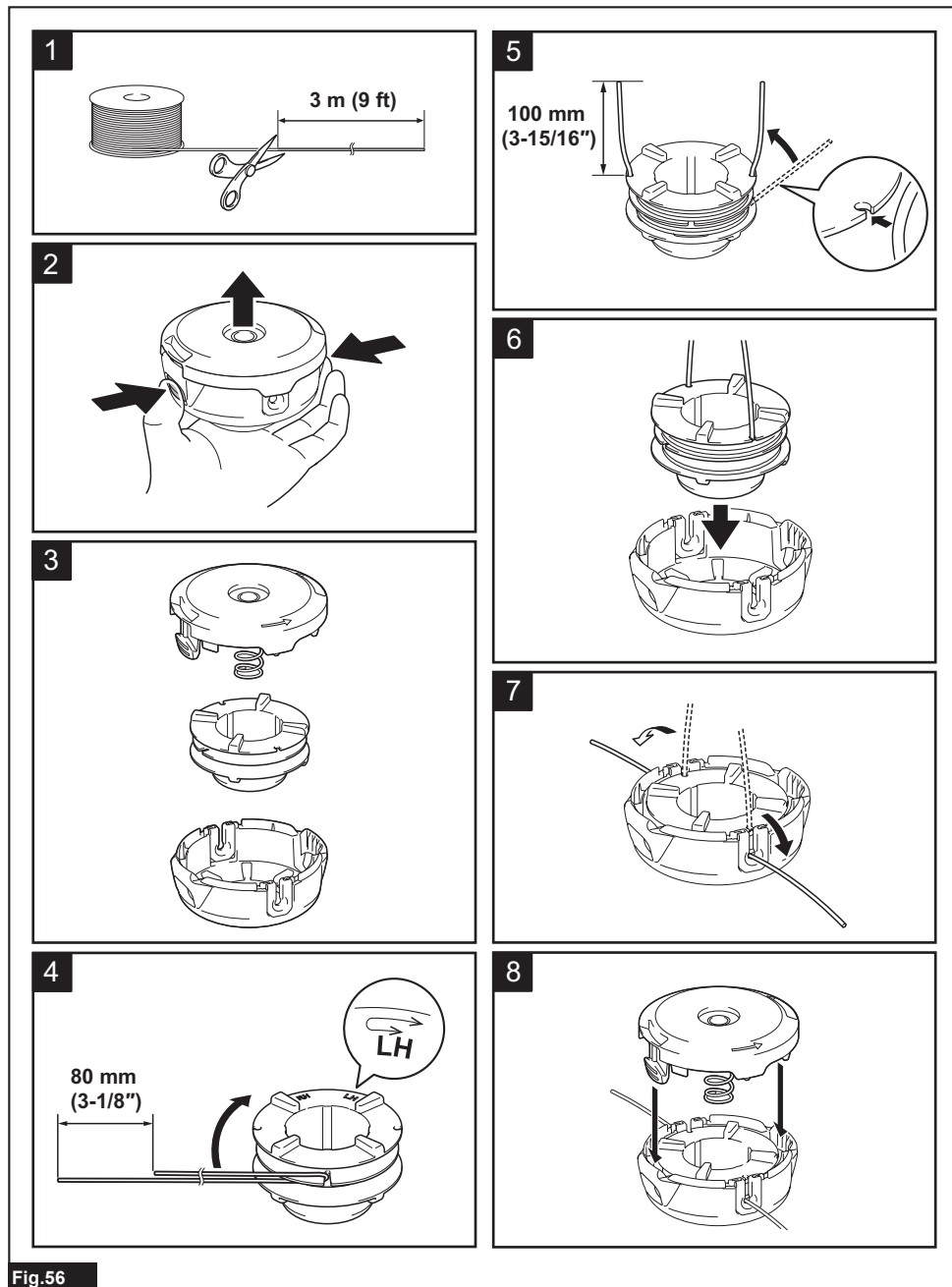


Fig.56

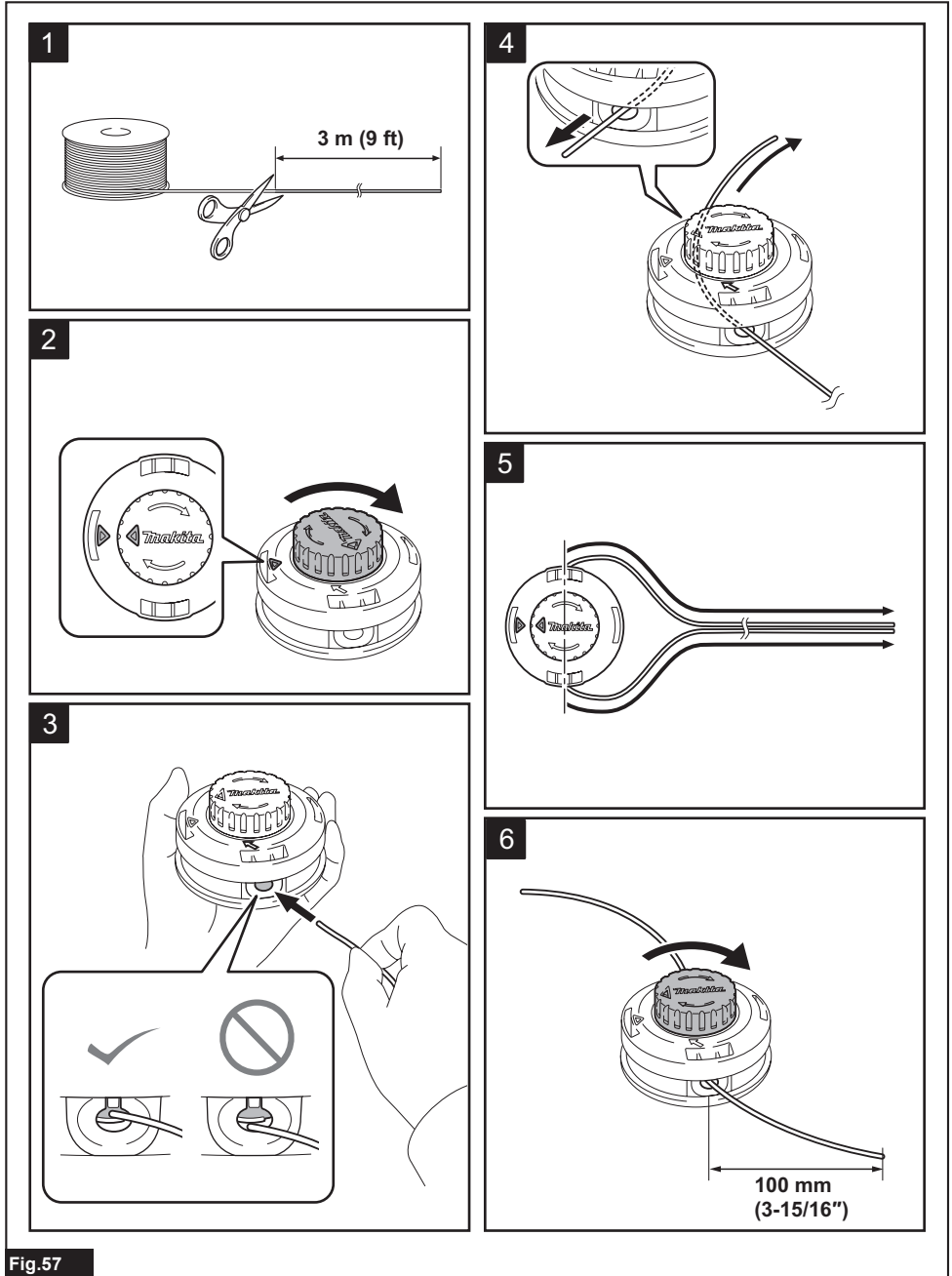


Fig.57

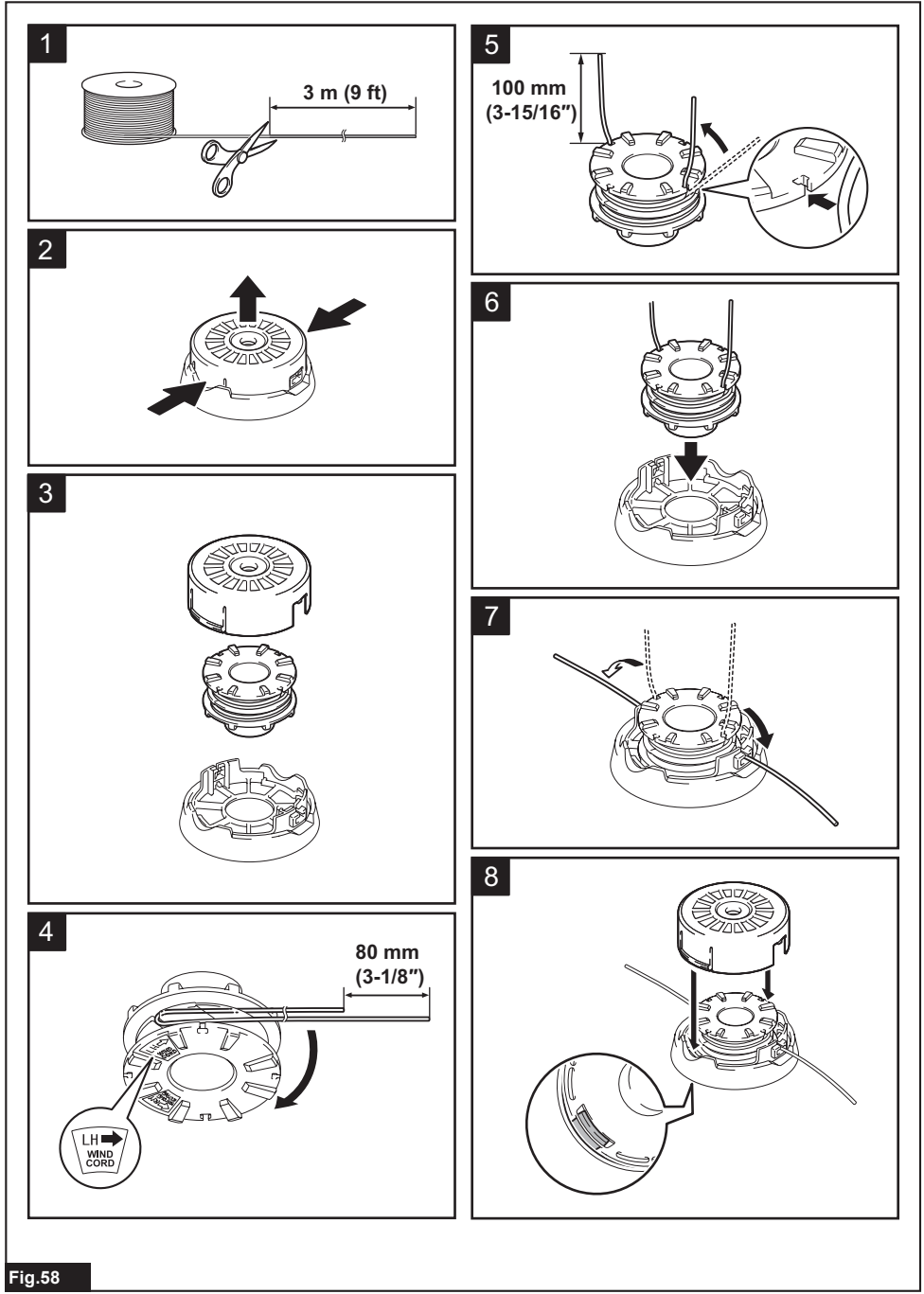


Fig.58

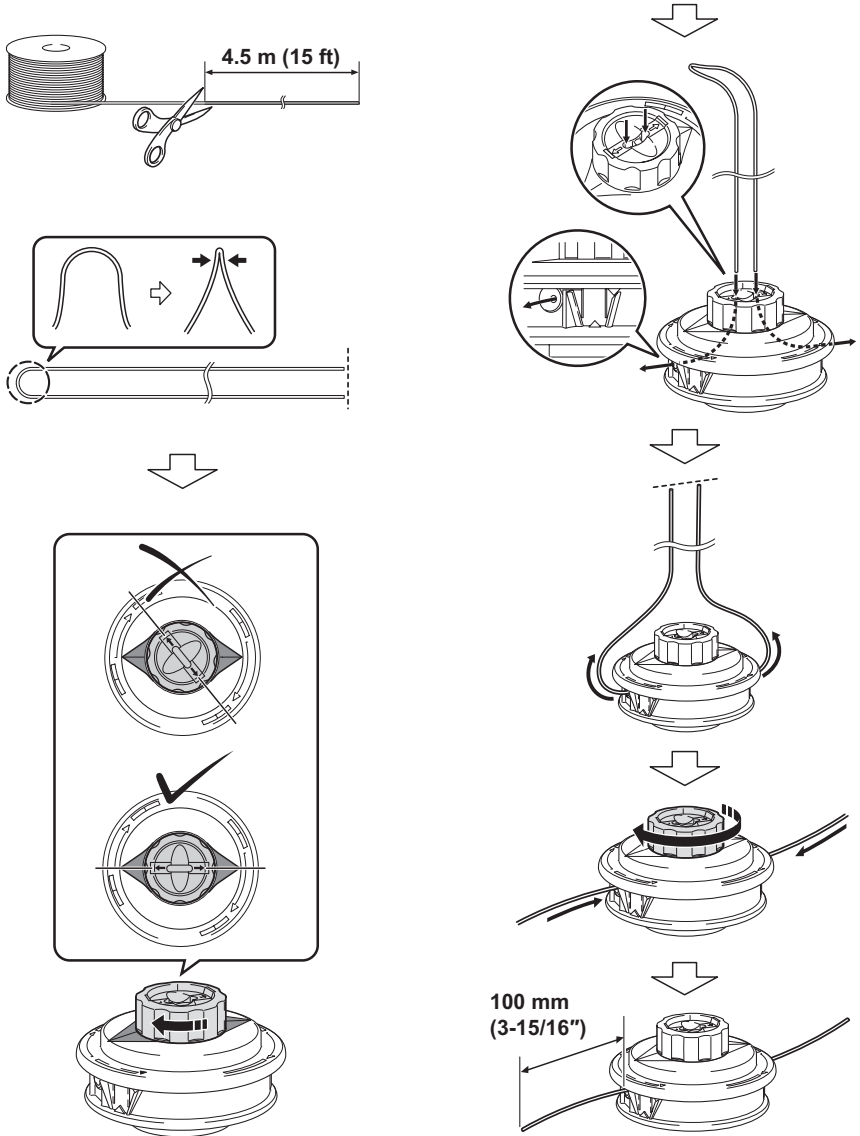


Fig.59

# Manual feed type

When the nylon cord gets short, pull it out from the eyelet and feed it from the another eyelet.

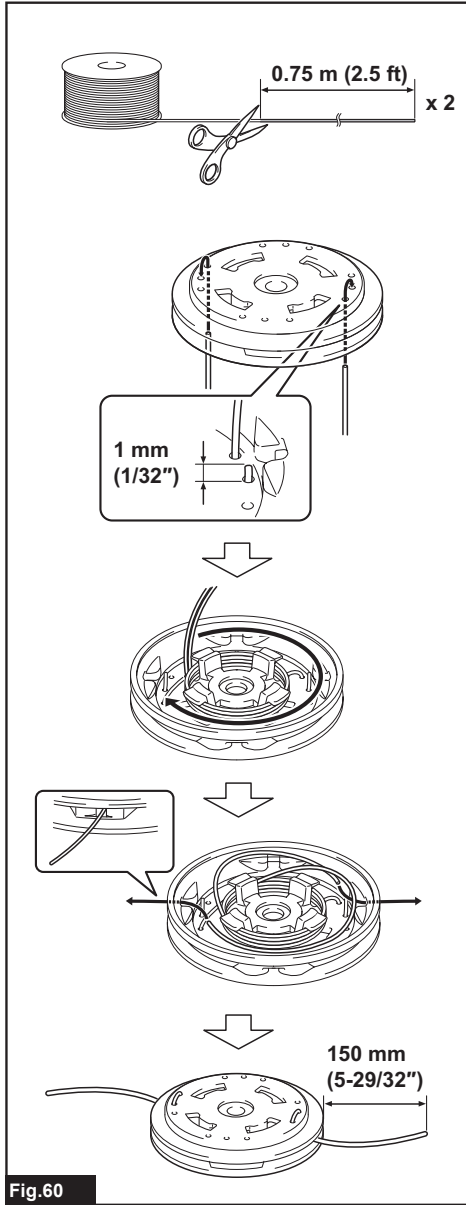


Fig.60

## Replacing the plastic blade

Replace the plastic blade if it is worn out or broken.

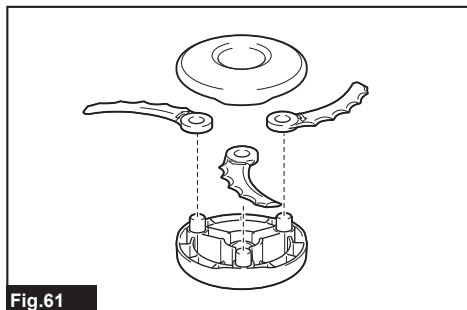


Fig.61

When installing the plastic blade, align the direction of the arrow on the blade with that of the protector.

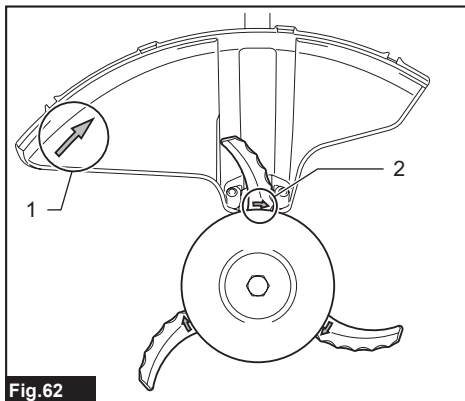


Fig.62

► 1. Arrow on the protector 2. Arrow on the blade

## TROUBLESHOOTING

Before asking for repairs, conduct your own inspection first. If you find a problem that is not explained in the manual, do not attempt to dismantle the tool. Instead, ask Makita Authorized Service Centers, always using Makita replacement parts for repairs.

State of abnormality	Probable cause (malfunction)	Remedy
Motor does not run.	Battery cartridge is not installed.	Install the battery cartridge.
	Battery problem (under voltage)	Recharge the battery cartridge. If recharging is not effective, replace battery cartridge.
	The drive system does not work correctly.	Ask your local authorized service center for repair.
Motor stops running after a little use.	Battery's charge level is low.	Recharge the battery cartridge. If recharging is not effective, replace battery cartridge.
	Overheating.	Stop using of tool to allow it to cool down.
The tool does not reach maximum RPM.	Battery cartridge is installed improperly.	Install the battery cartridge as described in this manual.
	Battery power is dropping.	Recharge the battery cartridge. If recharging is not effective, replace battery cartridge.
	The drive system does not work correctly.	Ask your local authorized service center for repair.
Cutting tool does not rotate: ⇒ stop the machine immediately!	Foreign object such as a branch is jammed between the guard and the cutting tool.	Remove the foreign object.
	Cutting tool is loosely attached.	Tighten the cutting tool securely.
	The drive system does not work correctly.	Ask your local authorized service center for repair.
Abnormal vibration: ⇒ stop the machine immediately!	Broken, bent or worn cutting tool	Replace the cutting tool.
	Cutting tool is loosely attached.	Tighten the cutting tool securely.
	The drive system does not work correctly.	Ask your local authorized service center for repair.
Cutting tool and motor cannot stop: ⇒ Disconnect the portable power pack from the tool immediately!	Electric or electronic malfunction.	Disconnect the portable power pack from the tool and ask your local authorized service center for repair.

# OPTIONAL ACCESSORIES

**⚠ WARNING:** Only use the recommended accessories or attachments indicated in this manual. The use of any other accessory or attachment may result in serious personal injury.

**⚠ CAUTION:** These accessories or attachments are recommended for use with your Makita tool specified in this manual. The use of any other accessories or attachments might present a risk of injury to persons. Only use accessory or attachment for its stated purpose.

If you need any assistance for more details regarding these accessories, ask your local Makita Service Center.

- Cutter blade
- Nylon cutting head
- Nylon cord (cutting line)
- Plastic blade
- Protector
- Makita genuine battery and charger

**NOTE:** Some items in the list may be included in the tool package as standard accessories. They may differ from country to country.

**Makita Europe N.V.** Jan-Baptist Vinkstraat 2,  
3070 Kortenberg, Belgium

**Makita Corporation** 3-11-8, Sumiyoshi-cho,  
Anjo, Aichi 446-8502 Japan

[www.makita.com](http://www.makita.com)

885763B223 EN 20220614
------------------------------