



|    |           |
|----|-----------|
| HK | HONG KONG |
|----|-----------|

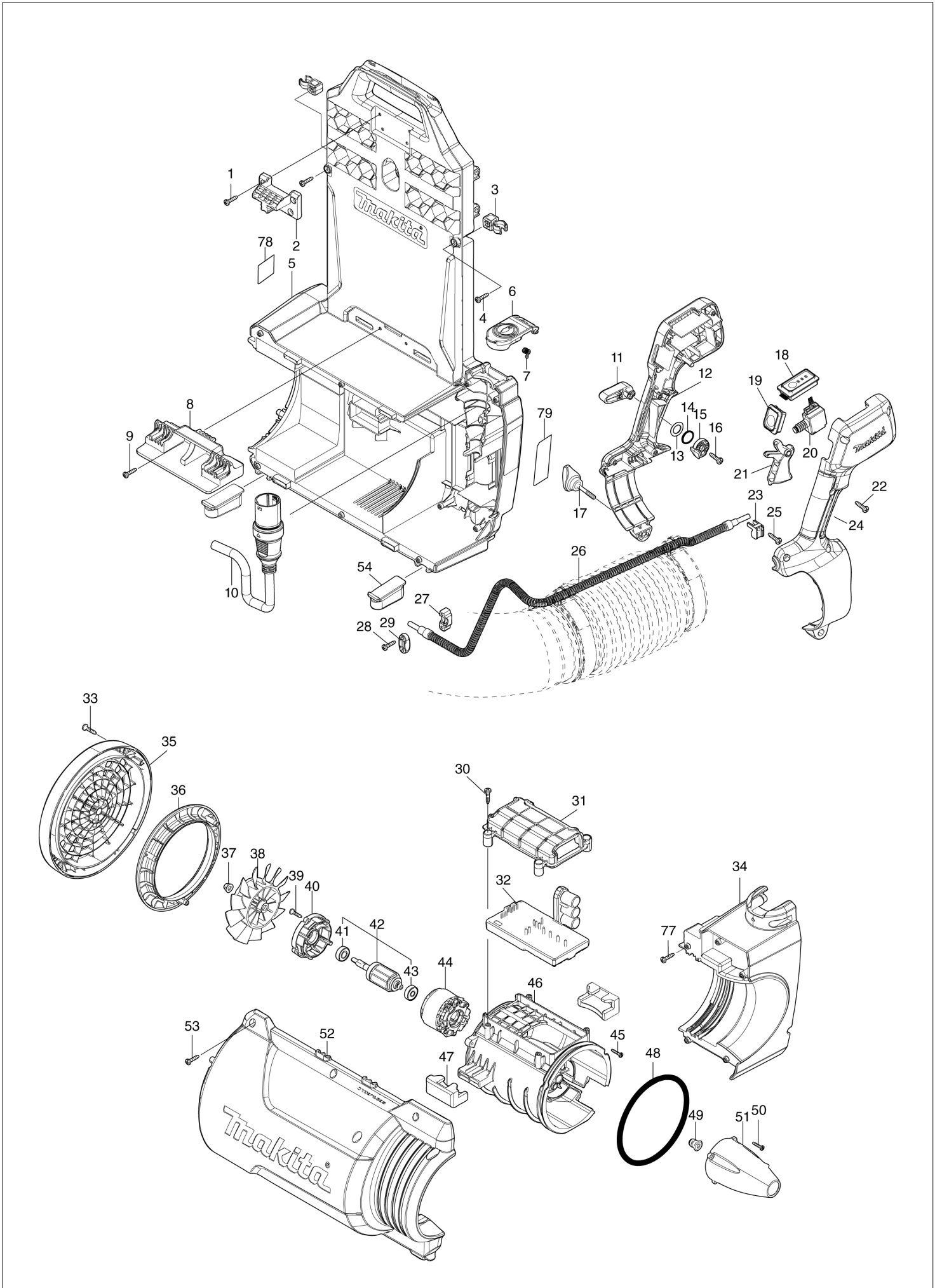
# Diagram / Parts List

**UB002C**

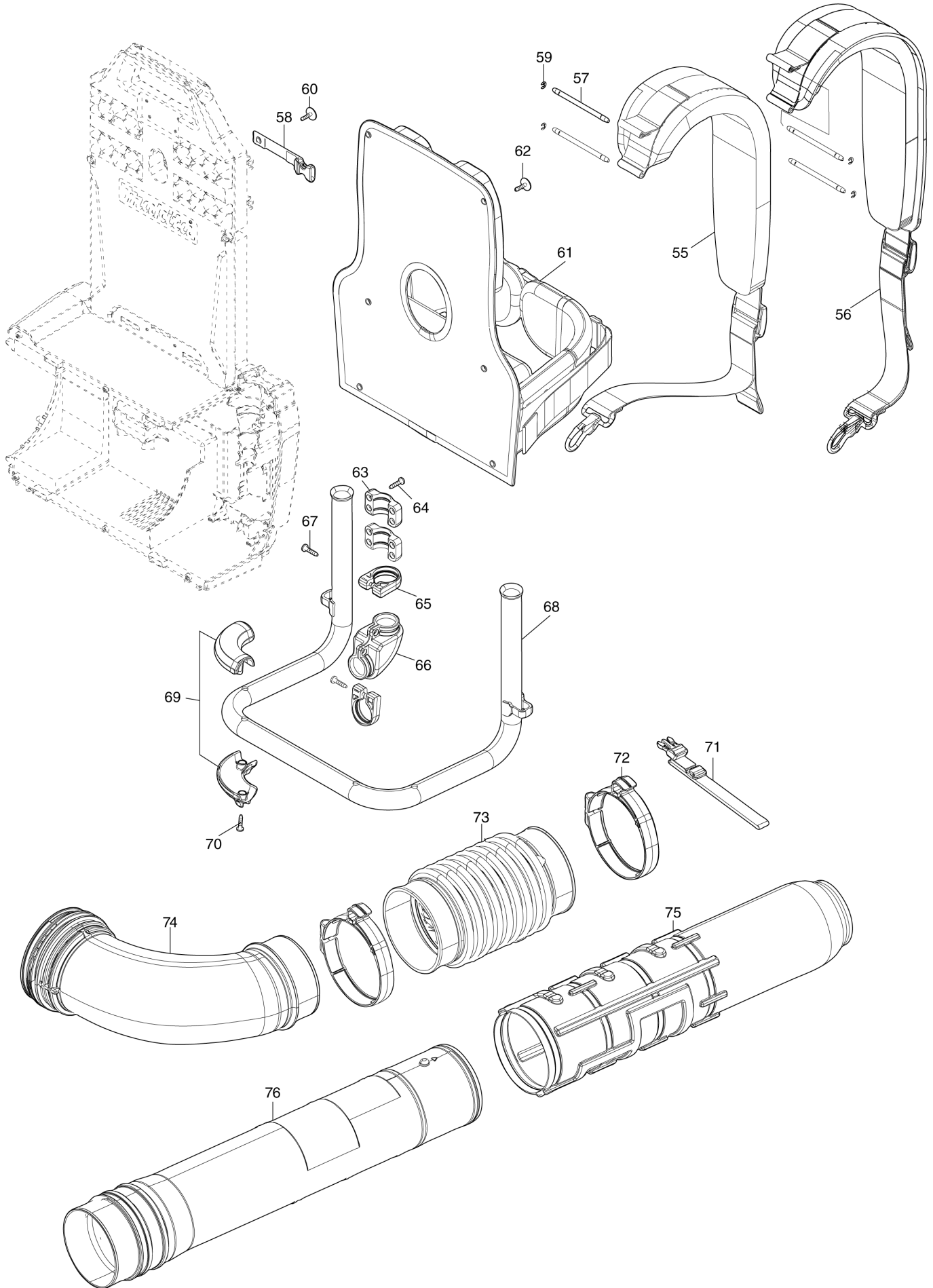
**BATTERY POWERED BLOWER**



(HK) UB002C / BATTERY POWERED BLOWER



(HK) UB002C / BATTERY POWERED BLOWER



HK

HONG KONG

## UB002C / BATTERY POWERED BLOWER

| Item | Sub | Parts No. | Parts Description          | Qty | I/C | E/C No. | Close No. | Remark |
|------|-----|-----------|----------------------------|-----|-----|---------|-----------|--------|
| 001  |     | 266326-2  | TAPPING SCREW 4X18         | 4   |     |         |           |        |
| 002  |     | 413G75-6  | UPPER HOLDER               | 1   |     |         |           |        |
| 003  |     | 413613-2  | HOLDER                     | 2   |     |         |           |        |
| 004  |     | 266326-2  | TAPPING SCREW 4X18         | 2   |     |         |           |        |
| 005  |     | 141J75-1  | FRAME COMPLETE             | 1   |     |         |           |        |
| 006  |     | 413G74-8  | CONNECTOR COVER            | 1   |     |         |           |        |
| 007  |     | 232681-4  | TORSION SPRING 4           | 1   |     |         |           |        |
| 008  |     | 413G65-9  | BOTTOM HOLDER              | 1   |     |         |           |        |
| 009  |     | 266326-2  | TAPPING SCREW 4X18         | 2   |     |         |           |        |
| 010  |     | 699202-9  | POWER SUPPLY CORD UNIT     | 1   |     |         |           |        |
| 011  |     | 413G66-7  | CONTROL LEVER              | 1   |     |         |           |        |
| 012  |     | 183W35-5  | LEVER CASE SET             | 1   |     |         |           |        |
|      | C10 | 252103-8  | HEX. LOCK NUT M5-8         | 1   |     |         |           |        |
|      | D10 |           | INC. 24                    |     |     |         |           |        |
| 013  |     | 253798-0  | FLAT WASHER 13             | 1   |     |         |           |        |
| 014  |     | 213154-6  | O RING 14                  | 1   |     |         |           |        |
| 015  |     | 412754-1  | LINK                       | 1   |     |         |           |        |
| 016  |     | 266326-2  | TAPPING SCREW 4X18         | 1   |     |         |           |        |
| 017  |     | 265C61-7  | THUMB SCREW M5X35          | 1   |     |         |           |        |
| 018  |     | 620J51-3  | SWITCH CIRCUIT COMPLETE    | 1   |     |         |           |        |
| 019  |     | 140X08-7  | SWITCH CIRCUIT COMPLETE    | 1   |     |         |           |        |
|      | C10 | 810D46-0  | SWITCH LABEL               | 1   |     |         |           |        |
| 020  |     | 651492-2  | SWITCH C3JR-1A-PAXD3       | 1   |     |         |           |        |
| 021  |     | 413G68-3  | SWITCH LEVER               | 1   |     |         |           |        |
| 022  |     | 266326-2  | TAPPING SCREW 4X18         | 6   |     |         |           |        |
| 023  |     | 687260-7  | STRAIN RELIEF              | 1   |     |         |           |        |
| 024  |     | 183W35-5  | LEVER CASE SET             | 1   |     |         |           |        |
|      | C10 | 252103-8  | HEX. LOCK NUT M5-8         | 1   |     |         |           |        |
|      | D10 |           | INC. 12                    |     |     |         |           |        |
| 025  |     | 266326-2  | TAPPING SCREW 4X18         | 1   |     |         |           |        |
| 026  |     | 699203-7  | POWER SUPPLY CORD UNIT     | 1   |     |         |           |        |
| 027  |     | 687051-6  | STRAIN RELIEF              | 1   |     |         |           |        |
| 028  |     | 266326-2  | TAPPING SCREW 4X18         | 2   |     |         |           |        |
| 029  |     | 687124-5  | STRAIN RELIEF              | 1   |     |         |           |        |
| 030  |     | 266326-2  | TAPPING SCREW 4X18         | 4   |     |         |           |        |
| 031  |     | 413G73-0  | CONTROLLER CASE COVER      | 1   |     |         |           |        |
| 032  |     | 620K47-0  | CONTROLLER COMPLETE        | 1   |     |         |           |        |
| 033  |     | 266326-2  | TAPPING SCREW 4X18         | 4   |     |         |           |        |
| 034  |     | 141J78-5  | CORD COVER COMPLETE        | 1   |     |         |           |        |
|      | C10 | 8011Y4-4  | CAUTION LABEL              | 1   |     |         |           |        |
| 035  |     | 413G61-7  | REAR COVER                 | 1   |     |         |           |        |
| 036  |     | 413G72-2  | FAN GUIDE                  | 1   |     |         |           |        |
| 037  |     | 252286-4  | COLLARED HEX.LOCK NUT M5-8 | 1   |     |         |           |        |
| 038  |     | 240237-9  | FAN 110                    | 1   |     |         |           |        |
| 039  |     | 266130-9  | TAPPING SCREW BIND PT 3X16 | 4   |     |         |           |        |
| 040  |     | 413G67-5  | MOTOR HOUSING COVER        | 1   |     |         |           |        |
| 041  |     | 210040-2  | BALL BEARING 698LLU        | 1   |     |         |           |        |
| 042  |     | 519639-3  | ROTOR ASSY                 | 1   |     |         |           |        |
|      | D10 |           | INC. 41,43                 |     |     |         |           |        |
| 043  |     | 210022-4  | BALL BEARING 626DDW        | 1   |     |         |           |        |
| 044  |     | 629B90-2  | STATOR COMPLETE            | 1   |     |         |           |        |
| 045  |     | 266130-9  | TAPPING SCREW BIND PT 3X16 | 3   |     |         |           |        |
| 046  |     | 413G60-9  | MOTOR HOUSING              | 1   |     |         |           |        |
| 047  |     | 422877-7  | RUBBER CUSHION             | 2   |     |         |           |        |
| 048  |     | 424721-4  | RUBBER RING 115            | 1   |     |         |           |        |
| 049  |     | 422879-3  | GROMMET                    | 1   |     |         |           |        |
| 050  |     | 266130-9  | TAPPING SCREW BIND PT 3X16 | 3   |     |         |           |        |
| 051  |     | 413G64-1  | CAP                        | 1   |     |         |           |        |
| 052  |     | 141J76-9  | HOUSING COMPLETE           | 1   |     |         |           |        |
| 053  |     | 266326-2  | TAPPING SCREW 4X18         | 10  |     |         |           |        |
| 054  |     | 422878-5  | RUBBER CUSHION             | 2   |     |         |           |        |
| 055  |     | 161509-8  | BAND L                     | 1   |     |         |           |        |
| 056  |     | 161510-3  | BAND R                     | 1   |     |         |           |        |
| 057  |     | 256A28-4  | ROD 5                      | 4   |     |         |           |        |
| 058  |     | 162B59-8  | BAND A COMPLETE            | 1   |     |         |           |        |

Z:UB002CZ01(N)

Interchange

O : Yes

X : No

&lt; : the new part can be substituted for the current.

&gt; : the current part can be substituted for the new.

S : Interchangeable as a set.

