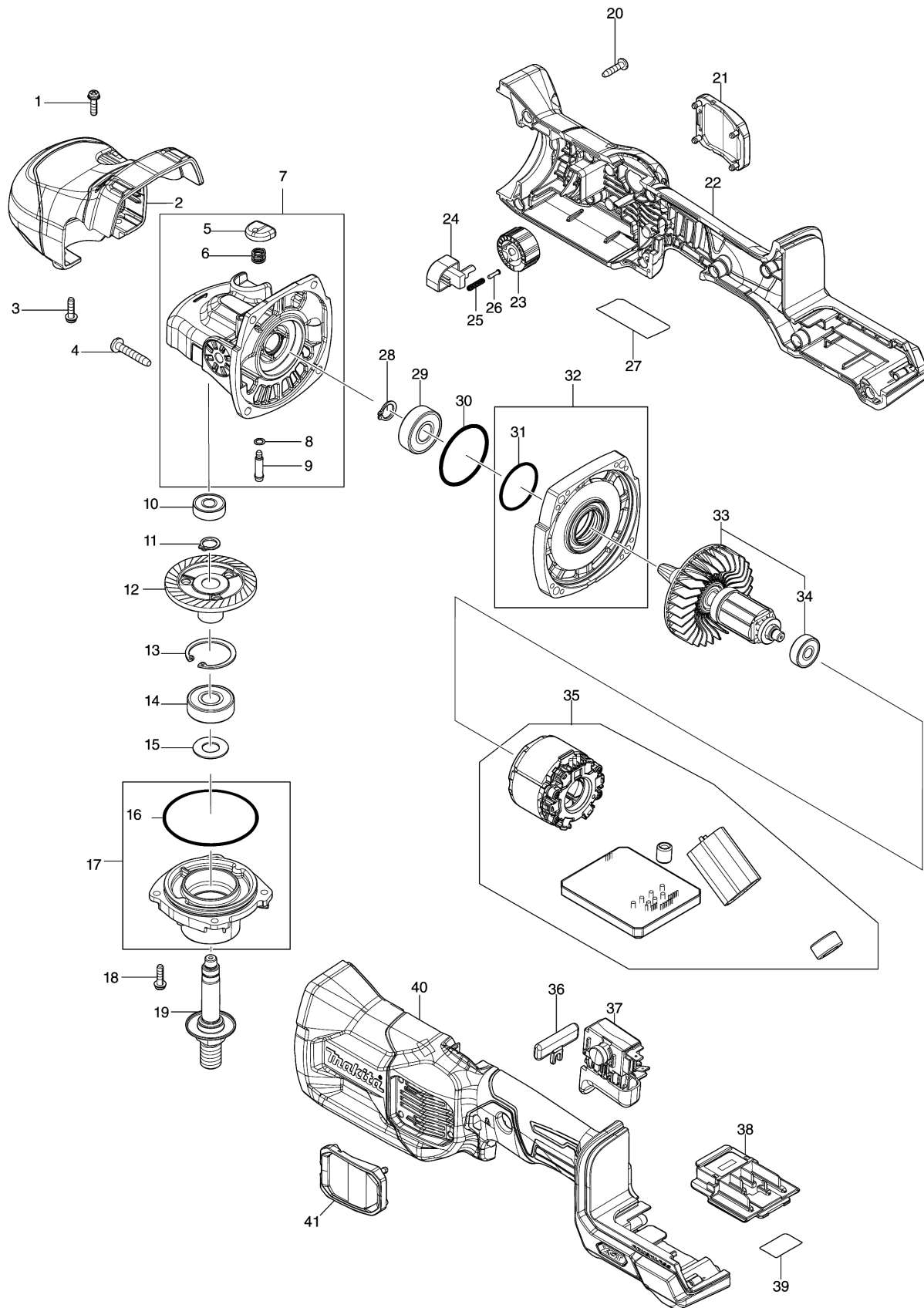


Model No.PV001G 180MM CORDLESS POLISHER



Model No.PV001G 180MM CORDLESS POLISHER

Item	Parts No.	Description	I/C	Qty	New/Old	Opt. 1	Opt. 2	Note
001	911128-8	盤頭螺絲M4X16 - LS1440		2				
002	413F66-1	HEAD COVER		1				
003	911128-8	盤頭螺絲M4X16 - LS1440		2				
004	266173-1	自攻螺釘5X30 - 9016B		4				
005	412234-7	PIN CAP		1				
006	233072-2	壓簧8 - 9520B		1				
007	136628-9	GEAR HOUSING ASS'Y		1				
C10	263002-9	橡膠銷4 - 63004		1				
D10		INC. 5,6,8,9						
008	213960-9	O形圈5 - 9556NB		1				
009	256546-6	鎖銷4 - DGA404		1				
010	210029-0	球軸承608ZZ - GA7050		1				
011	961052-5	擋圈S-12		1				
012	227953-0	SPIRAL BEVEL GEAR 52		1				
013	962151-6	擋圈R-32		1				
014	211106-1	球軸承6201LLB - 5800N		1				
015	267113-2	平墊圈12 - GA4030		1				
016	213654-6	O形圈60 - HM0810		1				
017	136629-7	BEARING BOX ASS'Y		1				
D10		INC. 16						
018	911128-8	盤頭螺絲M4X16 - LS1440		4				
019	141J26-4	SPINDLE COMPLETE		1				
020	265995-6	自攻螺釘4X18		10				
021	422871-9	DUST COVER		1				
022	183V37-5	MOTOR HOUSING SET		1				
C10	263005-3	橡膠銷6 - 2414B		2				
C20	8005T5-8	XGT LOGO LABEL		1				
D10		INC. 40						
023	271472-8	DIAL 28		1				
024	620415-1	副控制器 - MUB362D		1				
025	233002-3	壓簧3 - 9227CB		1				
026	255058-6	鉚釘2 - 9227CB		1				
027	8115Y5-8	PV001G NAME PLATE		1				
028	961052-5	擋圈S-12		1				
029	211137-0	球軸承 6201LLU - 4140		1				
030	213842-5	O-RING 40		1				
031	213459-4	O形圈32 - HR2220		1				
032	136630-2	GEAR HOUSING COVER ASS'Y		1				
D10		INC. 31						
033	519738-1	ROTOR ASS'Y		1				
D10		INC. 34						

Please order the parts with part number.

Print Date 9/6/2022

Model No.PV001G 180MM CORDLESS POLISHER

Item	Parts No.	Description	I/C	Qty	New/Old	Opt. 1	Opt. 2	Note
034	210023-2	球軸承 - HR2630		1				
035	629B09-1	STATOR COMPLETE		1				
036	458972-7	安全掣 - DPO500		1				
037	650020-0	SWITCH C3JR-4B-2L		1				
038	632P65-6	TERMINAL UNIT		1				
039	8116A3-0	PV001G SERIAL NO. LABEL		1				
040	183V37-5	MOTOR HOUSING SET		1				
C10	263005-3	橡膠銷6 - 2414B		2				
C20	8005T5-8	XGT LOGO LABEL		1				
D10		INC. 22						
041	422871-9	DUST COVER		1				
A01	262542-4	SLEEVE 18		1				
A02	413F67-9	LOOP HANDLE		1				
A03	743054-1	橡膠墊 - 9227CB		1				
A04	192629-7	羊毛拋光球 - 9227CB		1				
A05	266171-5	內六角頭螺栓M8X25 - 9227CB		2				
A06	783204-6	六角扳手6 - 8900S		1				
A07	158237-4	手柄36 - DGA404		1				
A08	422871-9	DUST COVER		2				
A09Y	***DC40RA	DC40RA FAST CHARGER		1				
D10		COMPO-PARTS						
A10Y	191B26-6	BATTERY BL4040 SET		2				
A11Y	832411-9	TOOL BAG		1				

Please order the parts with part number.

Print Date 9/6/2022