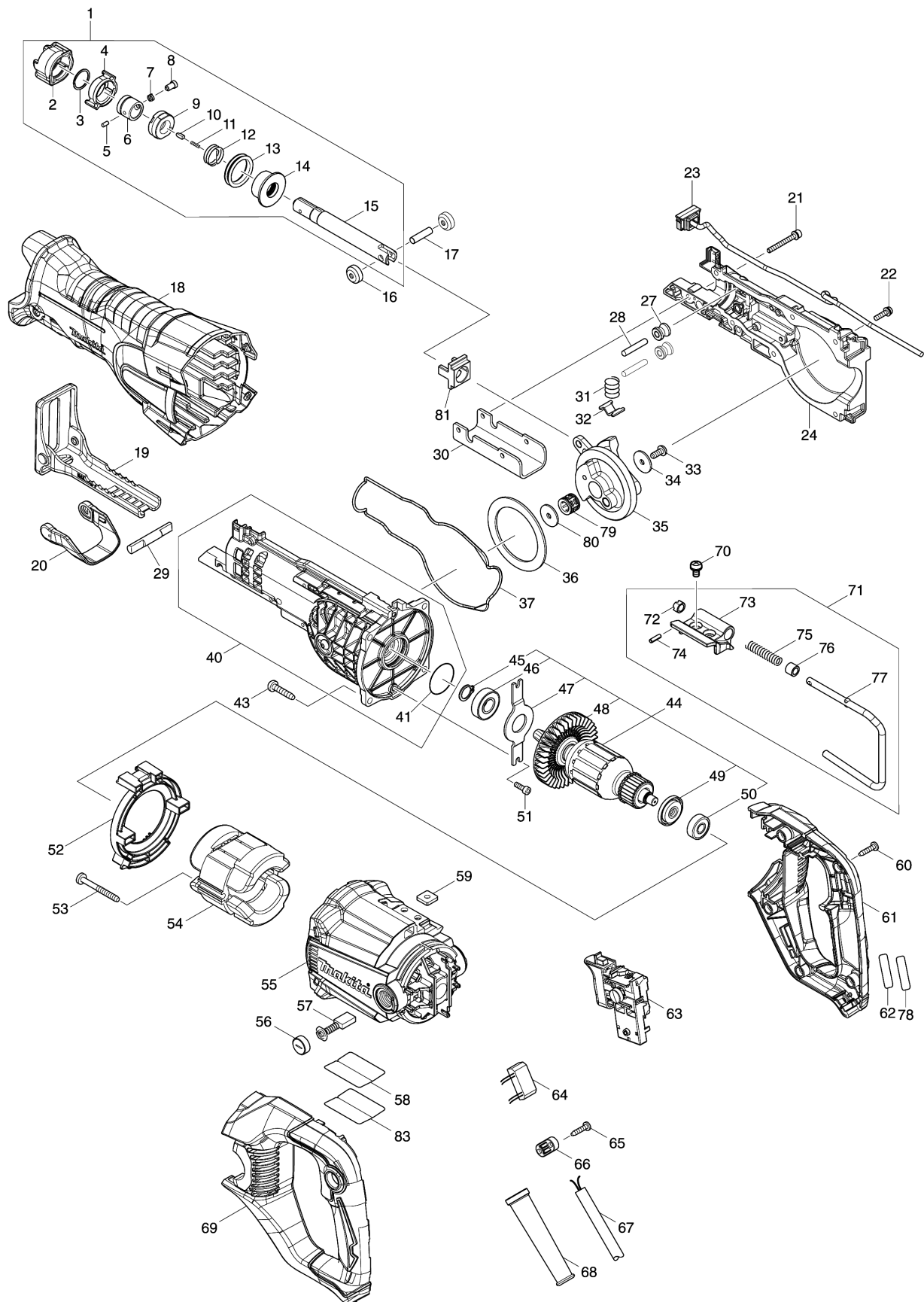


Model No.JR3061T RECIPRO SAW



Model No.JR3061T RECIPRO SAW

Item	Parts No.	Description	I/C	Qty	New/Old	Opt. 1	Opt. 2	Note
001	127683-2	SLIDER ASSEMBLY		1				
D10		INC. 2-15						
002	422223-4	保護罩 - DJR188		1				
003	257430-8	擋圈18 - JR3050T		1				
004	310848-5	傳動導套 - DJR188		1				
005	268094-3	銷3 - JR3050T		1				
006	327650-9	GUIDE SLEEVE		1				
007	234381-2	壓簧6 - J3050T		1				
008	256569-4	銷5 - DJR187		1				
009	458968-8	連接套筒 - DJR188		1				
010	310912-2	推銷 - DJR188		1				
011	232472-3	COMPRESSION SPRING 2		1				
012	233594-2	扭簧17 - JR100D		1				
013	422309-4	RUBBER RING 25		1				
014	140C81-1	SEAL HOLDER COMPLETE		1				
015	327652-5	SLDIER		1				
016	310663-7	輓子 - DJR187		2				
017	268341-2	彈簧銷 6 - DJR187		1				
018	422308-6	絕緣蓋 - JR3061T		1				
019	161809-6	墊片 - DJR187		1				
020	458644-4	鎖緊桿 - JR3061T		1				
021	266979-7	內六角頭螺栓M4X35 - DJR187		2				
022	911526-6	盤頭螺絲M4X16		5				
023	620965-6	LED回路 - JR3061T		1				
024	127139-5	齒輪箱R - JR3061T		1				
C10	422630-1	RUBBER PLATE		1				
027	327153-3	滾軸 F - JR3061T		2				
028	256579-1	銷5 - JR3061T		2				
029	326599-0	鎖定銷 - DJR187		1				
030	346937-0	墊片導板 - DJR187		1				
031	231231-2	壓簧12 - RT0700C		1				
032	347415-3	墊片鎖定板 - JR3061T		1				
033	265374-8	H.S. BUTTON HEAD SCREW M5X12		1				
034	253462-3	FLAT WASHER 5		1				
035	140C77-2	齒輪組 - JR3061T		1				
036	267490-2	平墊圈54 - DJR187		1				
037	422307-8	密封圈 - JR3061T		1				
040	127140-0	齒輪箱 - JR3061T		1				
C10	422630-1	RUBBER PLATE		1				
D10		INC. 41						

Please order the parts with part number.

Print Date 27/4/2022

Model No.JR3061T RECIPRO SAW

Item	Parts No.	Description	I/C	Qty	New/Old	Opt. 1	Opt. 2	Note
041	213437-4	O形圈28 - PM7650H		1				
043	266459-3	自攻螺釘 M5X25 - MT905		4				
044	518193-4	轉子220V - JR3061T		1	*			
D10		INC. 45-50			*			
044-1	517978-5	ARMATURE ASS'Y 220V	O	1				
D10		INC. 45-50						
045	961052-5	擋圈S-12		1				
046	211131-2	球軸承6001DDW - 9403		1				
047	285033-8	BEARING RETAINER 81		1				
048	241863-7	風扇70 - HR3000C		1				
049	681644-1	樹脂墊片 - MT110		1				
050	210029-0	球軸承608ZZ - GA7050		1				
051	265353-6	內六角頭螺絲M4X12		2				
052	458643-6	擋風板 - JR3061T		1				
053	266466-6	TAPPING SCREW 5X45		2				
054	521878-3	定子220V - JR3061T		1				
C10	654020-2	卡緊彈簧 - 1804N		2				
C20	654501-6	連接器P-1.25 -B04540		2				
055	140C78-0	機殼 - JR3061T		1				
056	643750-0	碳刷蓋		2				
057	191963-2	碳刷CB-303		1				
058	854V54-9	JR3061T NAME PLATE		1				
059	264002-2	SQUARE NUT M5		2				
060	266326-2	自攻螺釘4X18 - HR2810		5				
061	183K39-5	手柄 - JR3061T		1				
D10		INC. 69						
062	854V59-9	JR3061T SERIAL NO. LABEL		1				
063	651376-4	開關 C3VA-2L16 - JR3061T		1				
064	620967-2	電源線回路 - JR3061T		1				
065	266326-2	自攻螺釘4X18 - HR2810		2				
066	687123-7	軟線壓板 - MT922		1				
067	692021-2	軟線 - 9520NB		1				
068	682106-2	CORD GUARD		1				
069	183K39-5	手柄 - JR3061T		1				
D10		INC. 61						
070	911206-4	盤頭螺絲M5X10 - 3612		2				
071	126939-0	掛勾 - JR3061T		1				
D10		INC. 72-77						
072	310661-1	LOCK SLEEVE		1				
073	319729-0	JOINT		1				
074	951057-3	彈性圓柱銷3-12 - 4304		1				
075	233455-6	COMPRESSION SPRING 7		1				

Please order the parts with part number.

Print Date 27/4/2022

Model No.JR3061T RECIPRO SAW

Item	Parts No.	Description	I/C	Qty	New/Old	Opt. 1	Opt. 2	Note
076	262561-0	SLEEVE 6		1				
077	281020-5	HOOK		1				
078	807G78-4	CLEAR LABEL		1				
079	212231-1	NEEDLE CAGE 1012		1				
080	253180-3	平墊圈10 - 6906		1				
081	313316-7	SLIDER GUIDE		1				
083	8011F2-5	CLEAR LABEL		1				
A01	821718-8	PLASTIC CASE		1				
C10	162315-4	LATCH		1				
A02	B-05038	往復鋸片 (5片)		1				
A03	B-05044	往復鋸片152 TPI6-11 (5片)		1				
A04	B-05153	往復鋸片TP16-10 203MM		1				

Please order the parts with part number.

Print Date 27/4/2022