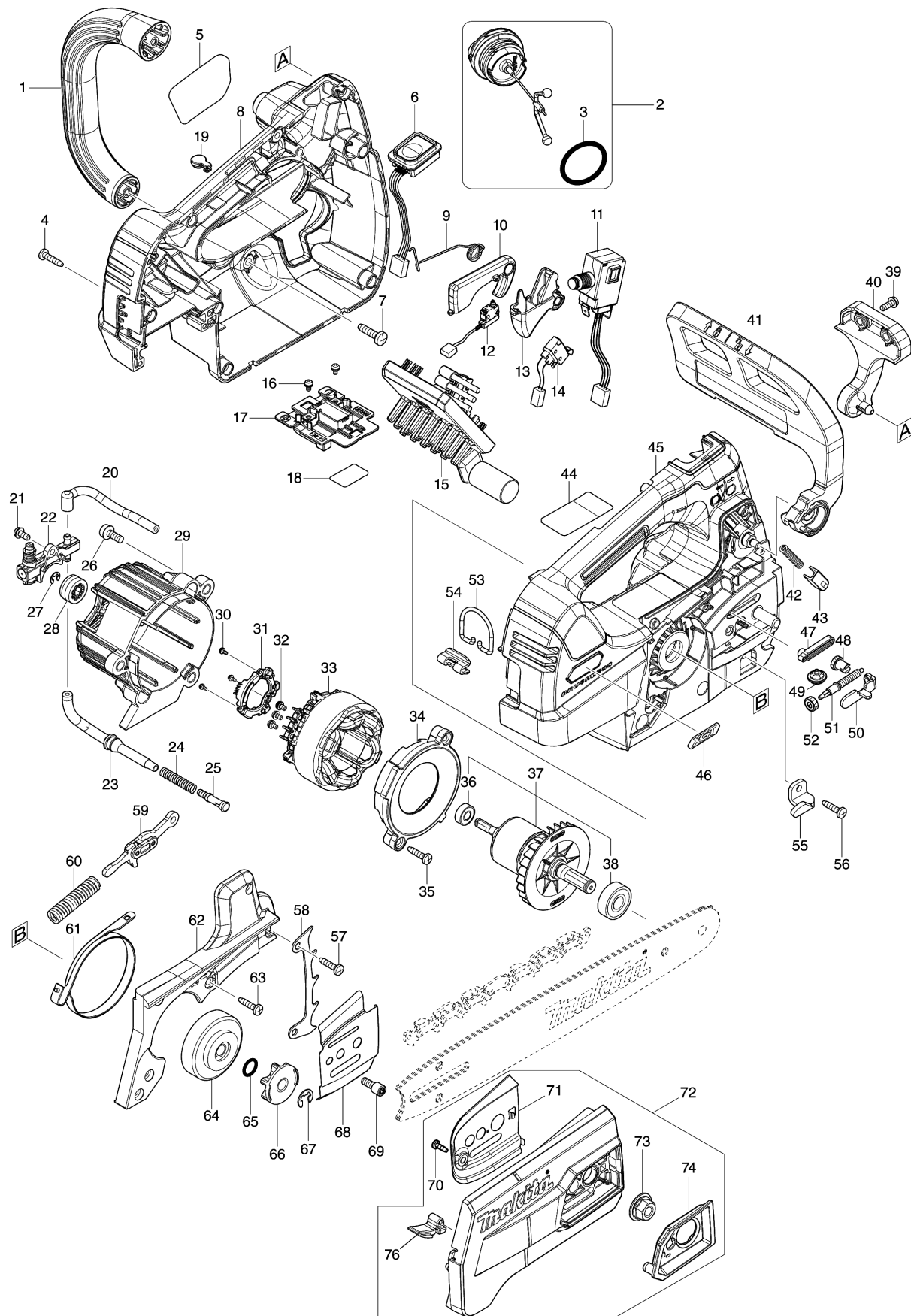


# Model No.UC004G 350MM CORDLESS CHAIN SAW





## Model No.UC004G 350MM CORDLESS CHAIN SAW

Item	Parts No.	Description	I/C	Qty	New/Old	Opt. 1	Opt. 2	Note
001	413979-0	FRONT HANDLE		1				
002	122A77-2	TANK CAP ASSEMBLY		1				
D10		INC. 3						
003	213080-9	O型圈29.5 - EA3201S		1	*			
003-1	213A30-0	O-RING 29.5	O	1				
004	266326-2	自攻螺釘4X18 - HR2810		8				
005	8041P4-0	UC004G MODEL NO. LABEL		1				
006	141G07-0	SWITCH CIRCUIT COMPLETE		1				
C10	810D46-0	SWITCH LABEL		1				
007	266420-0	自攻螺絲5X20 - HR2810		2				
008	183U56-5	HOUSING SET		1				
C10	263005-3	橡膠銷6 - 2414B		2				
D10		INC. 19,45						
009	232713-7	TORSION SPRING 10		1				
010	413987-1	CATCH LEVER		1				
011	650011-1	SWITCH C3JR-4BM- PAND3		1				
012	632L49-0	開關 - DUC204		1				
013	459282-5	SWITCH LEVER		1				
014	632L48-2	開關 - DUC204		1				
015	620F70-5	CONTROLLER		1				
C10	688131-1	LINE FILTER		2				
016	652031-1	PAN HEAD SCREW M3X6		2				
017	632S63-8	TERMINAL UNIT		1				
018	8110X5-1	UC004G SERIAL NO. LABEL		1				
019	422467-6	蓋 - DUC256		1				
020	422764-0	OIL TUBE 3-85		1				
021	911113-1	盤頭螺絲M4X10		1				
022	142156-4	油泵組件 - DUC353Z		1				
023	422765-8	OIL TUBE 3-109		1				
024	231975-4	SPRING		1				
025	452666-6	接口 - EA3201S		1				
026	911218-7	PAN HEAD SCREW M5X14		3				
027	961011-9	擋圈E-4 - 4304		1				
028	226884-0	蝸形齒輪 - DUC256		1				
029	413904-1	MOTOR HOUSING		1				
030	652093-9	PAN HEAD SCREW M2X5		3				
031	620F73-9	SENSOR UNIT		1				
032	652069-6	十字槽平頭螺絲M3X6 - DTD170		3				

Please order the parts with part number.

Print Date 19/4/2022

## Model No.UC004G 350MM CORDLESS CHAIN SAW

Item	Parts No.	Description	I/C	Qty	New/Old	Opt. 1	Opt. 2	Note
033	629A85-9	STATOR		1				
034	413980-5	BAFFLE PLATE		1				
035	266326-2	自攻螺釘4X18 – HR2810		2				
036	210026-6	球軸承696ZZ – DA3010		1				
037	519710-3	ROTOR ASSY		1				
D10		INC. 36,38						
038	210059-1	球軸承 6000DDW – GA5021C		1				
039	911118-1	盤頭螺絲M4X12 – BO4510		2				
040	413907-5	FRONT HAND GUARD RETAINER		1				
041	141E58-1	FRONT HAND GUARD COMPLETE		1				
C10	8042N8-4	CAUTION LABEL		1				
042	232714-5	COMPRESSION SPRING 3		1				
043	313212-9	把手導塊 – EA3201S		1				
044	8110W9-6	UC004G NAME PLATE		1				
045	183U56-5	HOUSING SET		1				
C10	263005-3	橡膠銷6 – 2414B		2				
D10		INC. 8,19						
046	8012U4-2	XGT LOGO LABEL		1				
047	422466-8	金屬扣眼 – DUC256		1				
048	227620-7	傳動齒輪 – DUC355		1				
049	227634-6	直旋傘齒輪14 – EA3700T		1				
050	347517-5	張力調整滑桿 – DUC256		1				
051	327317-9	調節螺絲 – DUC256		1				
052	227496-2	螺旋散齒輪14 – BUC250		1				
053	281222-3	HOOK		1				
054	347514-1	掛鉤座 – DUC256		1				
055	347516-7	鋸鏈擋桿 – DUC256		1				
056	266326-2	自攻螺釘4X18 – HR2810		1				
057	266326-2	自攻螺釘4X18 – HR2810		2				
058	346809-9	鋸齒板 – DUC256		1				
059	141E60-4	LINK PLATE COMPLETE		1				
060	232452-9	壓簧7 – DUC204		1				
061	347864-4	BRAKE BAND		1				
062	413981-3	HOUSING R COVER		1				
063	266326-2	自攻螺釘4X18 – HR2810		5				
064	162979-4	BRAKE DRUM		1				
065	213060-5	O RING 10		1				
066	191V90-7	SPROCKET 6 SET		1				
067	961013-5	擋圈E-7 – LS1016		1				

Please order the parts with part number.

Print Date 19/4/2022

## Model No.UC004G 350MM CORDLESS CHAIN SAW

Item	Parts No.	Description	I/C	Qty	New/Old	Opt. 1	Opt. 2	Note
068	347533-7	導板(左) - DUC256		1				
069	266905-6	H.L. SOCKET HEAD BOLT M5X12		1				
070	266007-8	自攻螺釘PT3X10		1				
071	347534-5	導板(右) - DUC256		1				
072	136573-8	SPROCKET COVER ASS'Y		1				
D10		INC. 70,71,73,74,76						
073	162494-8	FLANGE NUT COMPLETE		1				
074	413986-3	NUT COVER		1				
076	422310-9	CHIP GUIDE		1				
A01	191G16-9	GUIDE BAR 14 SET		1				
A02	419288-5	CHAIN COVER		1				
A03	199897-3	OIL VESSEL SET		1				
A04	191H02-6	SAW CHAIN 14 SET		1				
A05	782023-7	WRENCH 13-16		1				
A06	195246-2	SAFETY GOGGLE		1				
A07Y	412393-7	BATTERY COVER		1				
A08Y	***DC40RA	DC40RA FAST CHARGER		1				
D10		COMPO-PARTS						
A09Y	191B26-6	BATTERY BL4040 SET		1				
A10	195923-6	ROUND FILE 4.5 SET		1				
E01	8039U4-0	CAUTION TAG		1				
E02	8040V6-2	SOUND LABEL		1				

Please order the parts with part number.

Print Date 19/4/2022