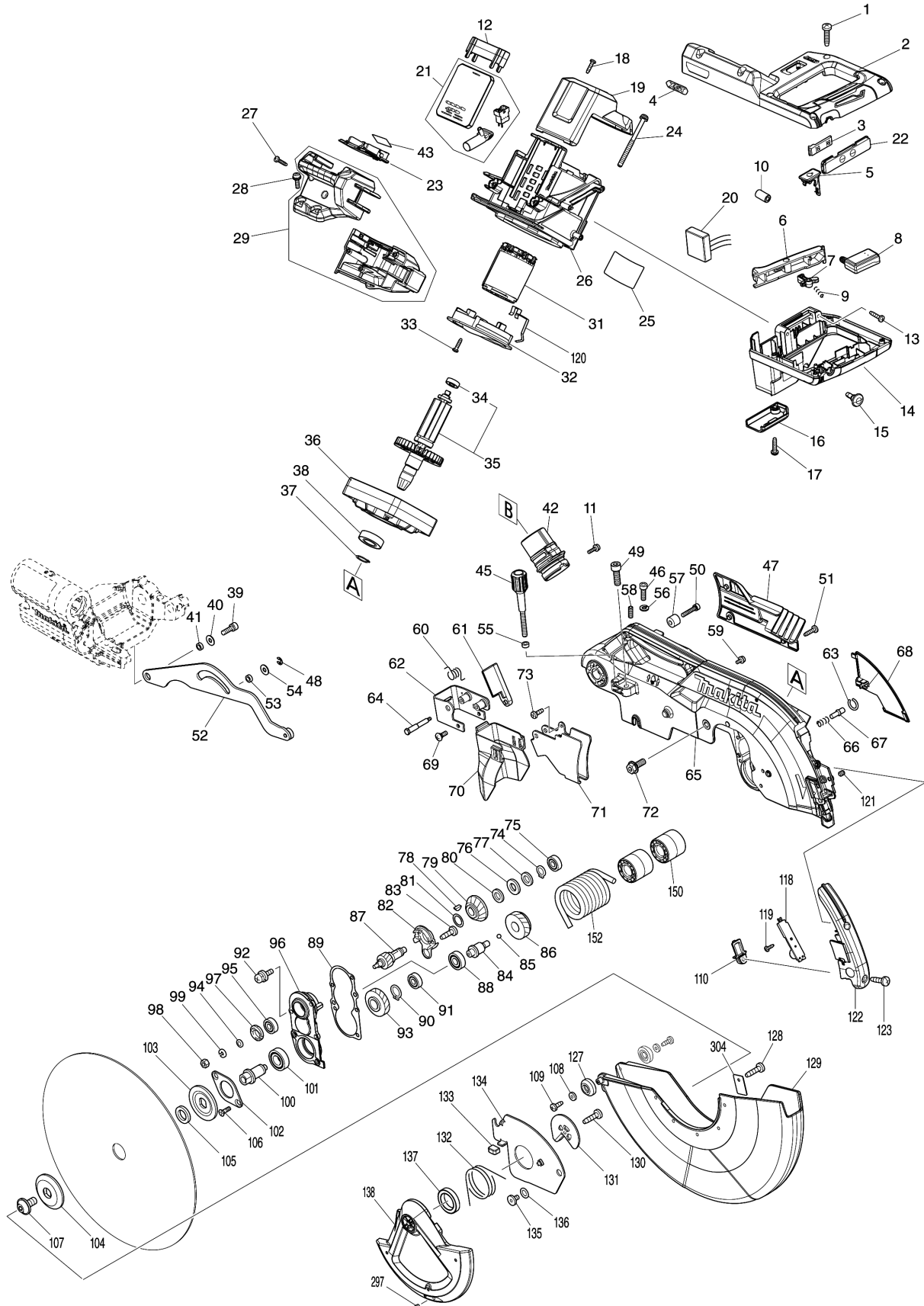
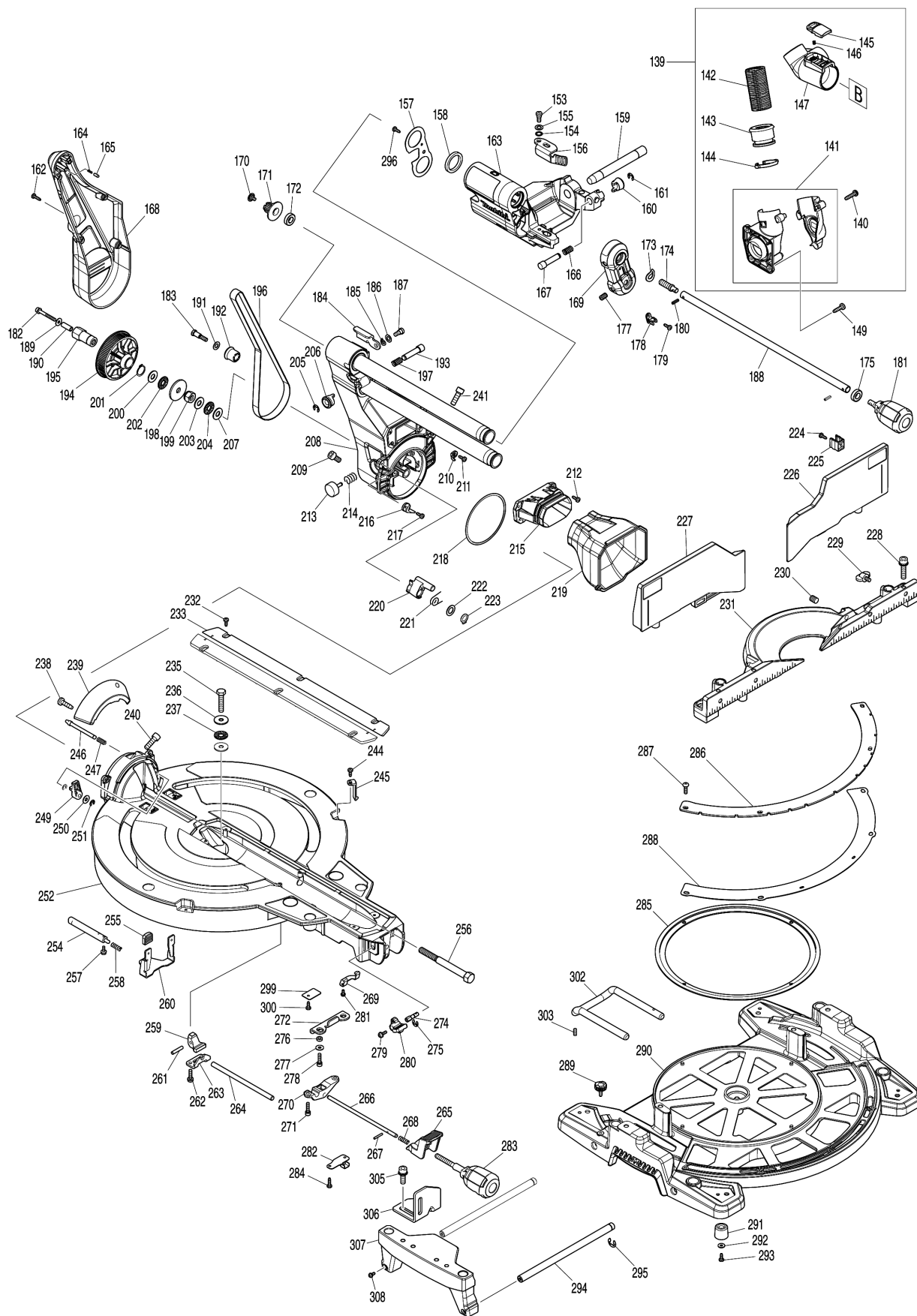


# Model No.LS003G 305MM DC SLIDE CPD. MITER SAW





# Model No.LS003G 305MM DC SLIDE CPD. MITER SAW





## Model No.LS003G 305MM DC SLIDE CPD. MITER SAW

Item	Parts No.	Description	I/C	Qty	New/Old	Opt. 1	Opt. 2	Note
001	265995-6	自攻螺釘4X18		6				
002	183T58-5	HANDLE HANDLE COVER SET		1				
C10	810486-8	CAUTION LABEL		1				
D10		INC. 14						
003	631973-2	開關 - BUB360		1				
004	8032A7-2	XGT LOGO LABEL		1				
005	140G30-2	CAP COMPLETE		1				
C10	213218-6	O型圈 - HM1306		1	*			
C11	213A05-9	O-RING16	O	1				
C20	818H48-4	CAP LABEL		1				
006	457935-0	開關拉桿 - DLS111		1				
007	416356-5	LOCK-OFF LEVER		1				
008	651083-9	SWITCH C3XA-1PSPM		1				
009	231026-3	COMPRESSION SPRING 4		1				
010	688163-8	LINE FILTER		1				
011	911123-8	平頭螺絲M4X14 - N5900B		1				
012	413590-8	SPACER		1				
013	265995-6	自攻螺釘4X18		3				
014	183T58-5	HANDLE HANDLE COVER SET		1				
C10	810486-8	CAUTION LABEL		1				
D10		INC. 2						
015	451037-4	SWITCH BUTTON		1				
016	451000-7	手柄底蓋 - LS1016L		1				
017	265995-6	自攻螺釘4X18		1				
018	265995-6	自攻螺釘4X18		2				
019	457933-4	電機後蓋 - DLS111		1				
020	620E08-4	POWER SUPPLY CIRCUIT		1				
021	620F04-8	CONTROLLER		1				
022	141C22-0	SWITCH PLATE COMPLETE		1				
C10	8032A8-0	SWITCH LABEL		1				
023	632P65-6	TERMINAL UNIT		1				
024	911948-0	PAN HEAD SCREW M6X80 WITH WR		4				
025	811M04-3	LS003G NAME PLATE		1				
026	457906-7	機殼 - DLS111		1				
027	265995-6	自攻螺釘4X18		3				
028	911233-1	盤頭螺絲M5X20 - 5012B		2				
029	183T26-8	BATTERY HOUSING SET		1				
C10	263005-3	橡膠銷6 - 2414B		2				
031	629A76-0	STATOR		1				

Please order the parts with part number.

Print Date 17/3/2022

## Model No.LS003G 305MM DC SLIDE CPD. MITER SAW

Item	Parts No.	Description	I/C	Qty	New/Old	Opt. 1	Opt. 2	Note
032	413E35-6	BAFFLE PLATE		1				
033	265995-6	自攻螺釘4X18		2				
034	211021-9	球軸承627LLB - 9520B		1				
035	519554-1	轉子 - DLS211		1				
D10		INC. 34						
036	312B30-4	MOTOR BRACKET		1				
037	961057-5	擋圈S-17		1				
038	210301-0	球軸承6003DDW - 9045B		1				
039	922331-6	內六角頭螺栓M6X20		1				
040	253804-1	平墊圈6 - HR4000C		1				
041	257461-7	RING 6		1				
042	459250-8	集塵管 - DLS211		1				
043	811M10-8	LS003G SERIAL NO. LABEL		1				
045	251554-2	蝶形螺絲M6X40 - LS1019		1				
046	265A36-4	內六角頭螺栓M6X16 - DLS211		1				
047	458146-0	標識板 - LS1219L		1				
048	961018-5	擋圈E-5		1				
049	251547-9	內六角頭螺栓M8X25 - LS1019		1				
050	922251-4	HEX. SOCKET HEAD BOLT M5X30		1				
051	266034-5	自攻螺釘CT4X16		3				
052	140J53-8	LINK PLATE COMPLETE		1				
053	257461-7	RING 6		1				
054	253804-1	平墊圈6 - HR4000C		1				
055	262190-9	URETHANE RING 5		1				
056	253428-3	彈簧墊圈6 - DLW140		1				
057	257449-7	套筒6 - LS1219L		1				
058	266321-2	H.S.SET SCREW(FLAT POINT)M6X16		1				
059	911114-9	盤頭螺絲M4X10		2				
060	232412-1	扭簧11 - LS1019		1				
061	457764-1	導屑板 - LS1019		1				
062	161647-6	導套 - LS1019		1				
063	231928-3	彈性環8 - 4110C		1				
064	251544-5	鎖六角頭螺栓M4 - LS1019		1				
065	141C08-4	BLADE CASE COMPLETE		1				
C10	263005-3	橡膠銷6 - 2414B		3				
066	231240-1	壓簧7 - 2414		1				
067	256633-1	銷6 - 4110B		1				
068	458148-6	蓋片 - LS1219L		1				

Please order the parts with part number.

Print Date 17/3/2022

## Model No.LS003G 305MM DC SLIDE CPD. MITER SAW

Item	Parts No.	Description	I/C	Qty	New/Old	Opt. 1	Opt. 2	Note
069	265028-7	+ PAN HEAD SCREW M4X11		1				
070	422235-7	護罩 - LS1219L		1				
071	347308-4	保護板 - LS1219L		1				
072	266283-4	HEX. SOCKET HEX. BOLT M8X20		1				
073	266020-6	自攻螺絲4X12 - 5007NB		1				
074	961052-5	擋圈S-12		1				
075	210005-4	球軸承608DDW - 9901		1				
076	261104-5	RUBBER WASHER 12		1				
077	253744-3	平墊圈12		1				
078	254001-2	半圓鍵4		1				
079	227550-2	螺旋傘齒輪32 LS1216		1				
080	253744-3	平墊圈12		1				
081	253313-0	THIN WASHER 14		1				
082	451002-3	GREASE HOLDER		1				
083	266026-4	自攻螺釘4X12 - 9046		2				
084	325643-0	GEAR SHAFT		1				
085	216049-2	STEEL BALL 4		1				
086	227702-5	斜齒圓柱齒輪27 - LS1216		1				
087	227701-7	HELICAL GEAR 14		1				
088	210067-2	球軸承6000ZZ - MT954		1				
089	442147-8	GASKET		1				
090	961055-9	擋圈S-15		1				
091	210005-4	球軸承608DDW - 9901		1				
092	911223-4	盤頭螺絲M5X16 - LS1013		3				
093	227703-3	斜齒圓柱齒輪28 - LS1216		1				
094	267010-2	平墊圈5 - JS1660		1				
095	210005-4	球軸承608DDW - 9901		1				
096	158957-0	BEARING BOX COMPLETE		1				
C10	263002-9	橡膠銷4 - 63004		1				
097	285847-5	軸承保持架 14-23 - HS301D		1				
098	931202-6	六角螺母M5		1				
099	253427-5	彈簧墊圈5 - DLS211		1				
100	325644-8	SPINDLE		1				
101	211236-8	球軸承6002DDW - LS1216		1				
102	285732-2	BEARING RETAINER 51		1				
103	224431-1	內壓板53 - LS1216		1				
104	224432-9	外壓板53 - LS1216		1				
105	257060-5	環15.8 - 2414		1				
106	265034-2	沉頭螺絲M5X16 - 5806B		2				
107	266755-9	HEX.SOCKET HEAD BOLT M10X20		1				

Please order the parts with part number.

Print Date 17/3/2022

## Model No.LS003G 305MM DC SLIDE CPD. MITER SAW

Item	Parts No.	Description	I/C	Qty	New/Old	Opt. 1	Opt. 2	Note
108	941051-3	平墊圈4		2				
109	266020-6	自攻螺絲4X12 - 5007NB		2				
110	418104-8	透明片 - LS1016L		1				
118	620F05-6	LED CIRCUIT		1				
119	266421-8	TAPPING SCREW 3X10		1				
120	347947-0	PLATE		1				
121	266264-8	內六角頭螺栓M5X6 SS610D		2				
122	141C21-2	LED COVER COMPLETE		1				
C10	8024V4-4	CAUTION LABEL		1				
123	266034-5	自攻螺釘CT4X16		2				
127	424193-3	ROLLER		2				
128	266385-6	TAPPING SCREW 4X14		3				
129	413820-7	SAFETY COVER B		1				
130	266385-6	TAPPING SCREW 4X14		1				
131	347213-5	中間板 - LS1019		1				
132	231634-0	TORSION SPRING 45		1				
133	424190-9	CUSHION		1				
134	347835-1	CENTER COVER		1				
135	265985-9	內六角頭螺栓M6 - LS1040		1				
136	253932-2	波形彈性墊圈10 - 2012NB		1				
137	210168-6	球軸承6805DDW - LS1019		1				
138	458437-9	SAFETY COVER A		1				
139	127274-9	集塵咀總成 - DLS211		1	*			
D10		INC. 140-147			*			
139-1	127274-9	集塵咀總成 - DLS211	O	1				
D10		INC. 141-147						
140	265995-6	自攻螺釘4X18		3	*			
141	183H71-1	喉管接駁器 - DLS111		1	*			
141-1	413J67-3	HOSE CONNECTOR	S	1				
142	245048-7	軟管 28-0.5 - LS1219L		1				
143	457672-6	套筒 - LS1019		1				
144	457673-4	固定器 - LS1019		1				
145	458939-5	塵管鈕扣 - DCL280F		1				
146	232485-4	壓簧5 - CL121D		1				
147	459249-3	集塵咀 - DLS211		1				
149	266034-5	自攻螺釘CT4X16		3				
150	458149-4	套筒17 - LS1219L		2				
152	233542-1	TORSION SPRING 40		1				
153	251267-5	十字槽盤頭螺絲M6X		1				
154	253948-7	波形彈性墊圈8 - LS1020		1				
155	253835-0	平墊圈8 - GA5021C		1				
156	347221-6	定位臂 - LS1019		1				

Please order the parts with part number.

Print Date 17/3/2022



## Model No.LS003G 305MM DC SLIDE CPD. MITER SAW

Item	Parts No.	Description	I/C	Qty	New/Old	Opt. 1	Opt. 2	Note
157	347222-4	前臂板 - LS1019		1				
158	262076-7	FELT RING 30		2				
159	326994-4	桿16 - LS1019		1				
160	271437-0	把手22 - LS1019		1				
161	961013-5	擋圈E-7 - LS1016		1				
162	266034-5	自攻螺釘CT4X16		4				
163	141C14-9	FRONT ARM COMPLETE		1				
C10	263005-3	橡膠銷6 - 2414B		2				
164	233151-6	COMPRESSION SPRING 4		1				
165	256364-2	彈簧銷4 - LS1019		1				
166	232384-0	壓簧10 - LS1019		1				
167	326977-4	限動銷 - LS1019		1				
168	458145-2	長臂罩 - LS1219L		1				
169	141C11-5	HOLDER COMPLETE		1				
C10	812X89-8	INDICATION LABEL		1				
170	265008-3	十字槽平頭螺絲M5 (新式)		1				
171	222191-9	滑輪17-19.3 - LS1019		1				
172	210167-8	球軸承6900LLB - LS1019		1				
173	267804-5	波形彈性墊圈15 - HR2470		1				
174	326975-8	軸 - LS1019		1				
175	210167-8	球軸承6900LLB - LS1019		1				
177	913416-9	固定螺絲M8X12 - LS1019		2				
178	416536-3	WRENCH HOLDER		1				
179	266026-4	自攻螺釘4X12 - 9046		1				
180	951107-4	SPRING PIN 4-14		2				
181	273016-0	輔助手柄50 B - LS1019		1				
182	266440-4	HEX SOCKET HEAD BOLT M5X40		1				
183	251545-3	鎖六角頭螺栓M6 - LS1019		1				
184	144930-6	停止杆 - LS1219L		1				
C10	812X87-2	INDICATION LABEL		1				
185	253948-7	波形彈性墊圈8 - LS1020		1				
186	253835-0	平墊圈8 - GA5021C		1				
187	251267-5	十字槽盤頭螺絲M6X		1				
188	327054-5	銷9-418 - LS1219L		1				
189	253194-2	平墊圈5 - HM1303		1				
190	257436-6	套筒5 - LS1219L		1				
191	253165-9	FLAT WASHER 8		1				
192	457666-1	套筒20 - LS1019		1				
193	326977-4	限動銷 - LS1019		1				
194	222192-7	滑輪17-87.8 - LS1019		1				
195	327053-7	六角螺母M10-19 - LS1219L		1				

Please order the parts with part number.

Print Date 17/3/2022

## Model No.LS003G 305MM DC SLIDE CPD. MITER SAW

Item	Parts No.	Description	I/C	Qty	New/Old	Opt. 1	Opt. 2	Note
196	225102-3	同步皮帶15-810 - LS1219L		1				
197	232384-0	壓簧10 - LS1019		1				
198	253388-9	平墊圈10 - LS1019		1				
199	252244-0	六角鎖緊螺母M10-17 - LS1019		1				
200	253024-7	平墊圈10 - 2704		1				
201	961057-5	擋圈S-17		1				
202	216413-7	THRUST NEEDLE CAGE 1024		1				
203	253024-7	平墊圈10 - 2704		1				
204	216413-7	THRUST NEEDLE CAGE 1024		1				
205	961013-5	擋圈E-7 - LS1016		1				
206	271437-0	把手22 - LS1019		1				
207	253024-7	平墊圈10 - 2704		1				
208	141C12-3	ARM COMPLETE		1				
C10	812X88-0	INDICATION LABEL		1				
209	251547-9	內六角頭螺栓M8X25 - LS1019		1				
210	458151-7	指示牌R - LS1219L		1				
211	266026-4	自攻螺釘4X12 - 9046		1				
212	266034-5	自攻螺釘CT4X16		4				
213	415208-7	RELEASE BUTTON		1				
214	233031-6	壓簧12 - 9049		1				
215	457654-8	防塵罩夾 - LS1019		1				
216	458150-9	INDICATION PLATE L		1				
217	266026-4	自攻螺釘4X12 - 9046		1				
218	253389-7	墊圈94 - LS1019		1				
219	422229-2	防塵罩 - LS1219L		1				
220	319593-9	定位套總成 - LS1019		1				
221	231646-3	TORSION SPRING 14		1				
222	253744-3	平墊圈12		1				
223	961052-5	擋圈S-12		1				
224	266026-4	自攻螺釘4X12 - 9046		2				
225	457668-7	支持架 - LS1019		2				
226	141C18-1	UPPER FENCE R COMPLETE		1				
C10	810503-4	CAUTION LABEL		1				
227	141C16-5	UPPER FENCE L COMPLETE		1				
C10	810503-4	CAUTION LABEL		1				
228	922458-2	內六角頭螺栓M8X35 /W WR-LS1019		4				

Please order the parts with part number.

Print Date 17/3/2022

## Model No.LS003G 305MM DC SLIDE CPD. MITER SAW

Item	Parts No.	Description	I/C	Qty	New/Old	Opt. 1	Opt. 2	Note
229	251887-5	螺絲M6X10 - 2414B		2				
230	251561-5	內六角頭螺栓M10X12 - LS1019		2				
231	312B37-0	GUIDE FENCE		1				
232	266026-4	自攻螺釘4X12 - 9046		6				
233	413819-2	KERF BOARD		2				
235	265442-7	HEX. BOLT M8X40		1				
236	253852-0	平墊圈8 - DLM380		2				
237	216413-7	THRUST NEEDLE CAGE 1024		1				
238	266385-6	TAPPING SCREW 4X14		2				
239	458147-8	雙向工作台後標牌板 - LS1219L		1				
240	251547-9	內六角頭螺栓M8X25 - LS1019		1				
241	251547-9	內六角頭螺栓M8X25 - LS1019		1				
244	266026-4	自攻螺釘4X12 - 9046		2				
245	457702-3	指示牌 - LS1019		2				
246	326970-8	鎖定銷8 - LS1019		1				
247	234122-6	COMPRESSION SPRING 6		1				
249	457657-2	桿25 - LS1019		1				
250	253804-1	平墊圈6 - HR4000C		1				
251	961018-5	擋圈E-5		2				
252	141E09-4	TURN BASE COMPLETE		1				
C10	813L22-1	CAUTION LABEL		2				
C20	812X85-6	CAUTION LABEL		1				
254	326973-2	連杆12 - LS1019		1				
255	286039-9	CAP		2				
256	326976-6	主軸 - LS1019		1				
257	911113-1	盤頭螺絲M4X10		2				
258	231325-3	COMPRESSION SPRING 6		1				
259	310803-7	旋轉定位套 - LS1019		1				
260	347217-7	杆板 - LS1019		1				
261	256186-0	銷5 - EB7650TH		1				
262	911231-5	盤頭螺絲M5X20		2				
263	347219-3	定位套 - LS1019		1				
264	327052-9	鎖杆 - LS1219L		1				
265	457656-4	鎖定桿 - LS1019		1				
266	327051-1	鎖定銷6 - LS1219L		1				
267	256158-5	銷3 - JR3050T		1				
268	233201-7	COMPRESSION SPRING 6		1				

Please order the parts with part number.

Print Date 17/3/2022

## Model No.LS003G 305MM DC SLIDE CPD. MITER SAW

Item	Parts No.	Description	I/C	Qty	New/Old	Opt. 1	Opt. 2	Note
269	347237-1	凸輪片 - LS1019		1				
270	319592-1	銷座 - LS1019		1				
271	922231-0	HEX. SOCKET HEAD BOLT M5X20		2				
272	347216-9	鎖定板 - LS1019		1				
274	326972-4	連杆6 - LS1019		1				
275	961011-9	擋圈E-4 - 4304		1				
276	257425-1	墊圈5 - LS1019		2				
277	253194-2	平墊圈5 - HM1303		2				
278	922231-0	HEX. SOCKET HEAD BOLT M5X20		2				
279	911113-1	盤頭螺絲M4X10		1				
280	144656-0	桿25 - LS1019		1				
C10	263005-3	橡膠銷6 - 2414B		1				
281	911008-8	PAN HEAD SCREW M3X8		1				
282	345272-3	LOCK LEVER PLATE		1				
283	273015-2	手柄50A - LS1019		1				
284	266026-4	自攻螺釘4X12 - 9046		2				
285	457655-6	滑動板 - LS1019		1				
286	347837-7	MITER SCALE PLATE		1				
287	251546-1	十盤頭螺絲O5 - LS1019		4				
288	347218-5	斜鎖定板 - LS1019		1				
289	265786-5	SCREW M5X16		2				
290	312B35-4	BASE		1				
291	421845-7	FOOT		4				
292	267195-4	平墊圈4 - DCS232T		4				
293	266026-4	自攻螺釘4X12 - 9046		4				
294	327315-3	連桿12 - DLS211		4				
295	961015-1	擋圈E-9		2				
296	266026-4	自攻螺釘4X12 - 9046		1				
297	266318-1	H.S.SET SCREW(FLAT POINT)M4X6		1	*			
299	232249-6	LEAF SPRING		1				
300	266026-4	自攻螺釘4X12 - 9046		1				
302	327145-2	托架90 - LS1219L		1				
303	266213-5	H.S.SET SCREW(FLAT POINT)M5X12		1				
304	232249-6	LEAF SPRING		1				
305	922443-5	H.S.H.BOLT M8X25 WITH WR		4				
306	347836-9	SUB FENCE		2				
307	312B36-2	SUB BASE		2				

Please order the parts with part number.

Print Date 17/3/2022

## Model No.LS003G 305MM DC SLIDE CPD. MITER SAW

Item	Parts No.	Description	I/C	Qty	New/Old	Opt. 1	Opt. 2	Note
308	911113-1	盤頭螺絲M4X10		4				
A01	122852-0	DUST BAG ASS'Y		1				
C10	410602-8	FASTENER		1				
A02	126617-2	WISE ASS'Y		1				
A03	762001-3	三角尺 - LS1016L		1				
A06	B-67452	硬質合金鋸片 305X25.4X60T		1				
A07	781044-6	HEX. WRENCH 6		1				

Please order the parts with part number.

Print Date 17/3/2022