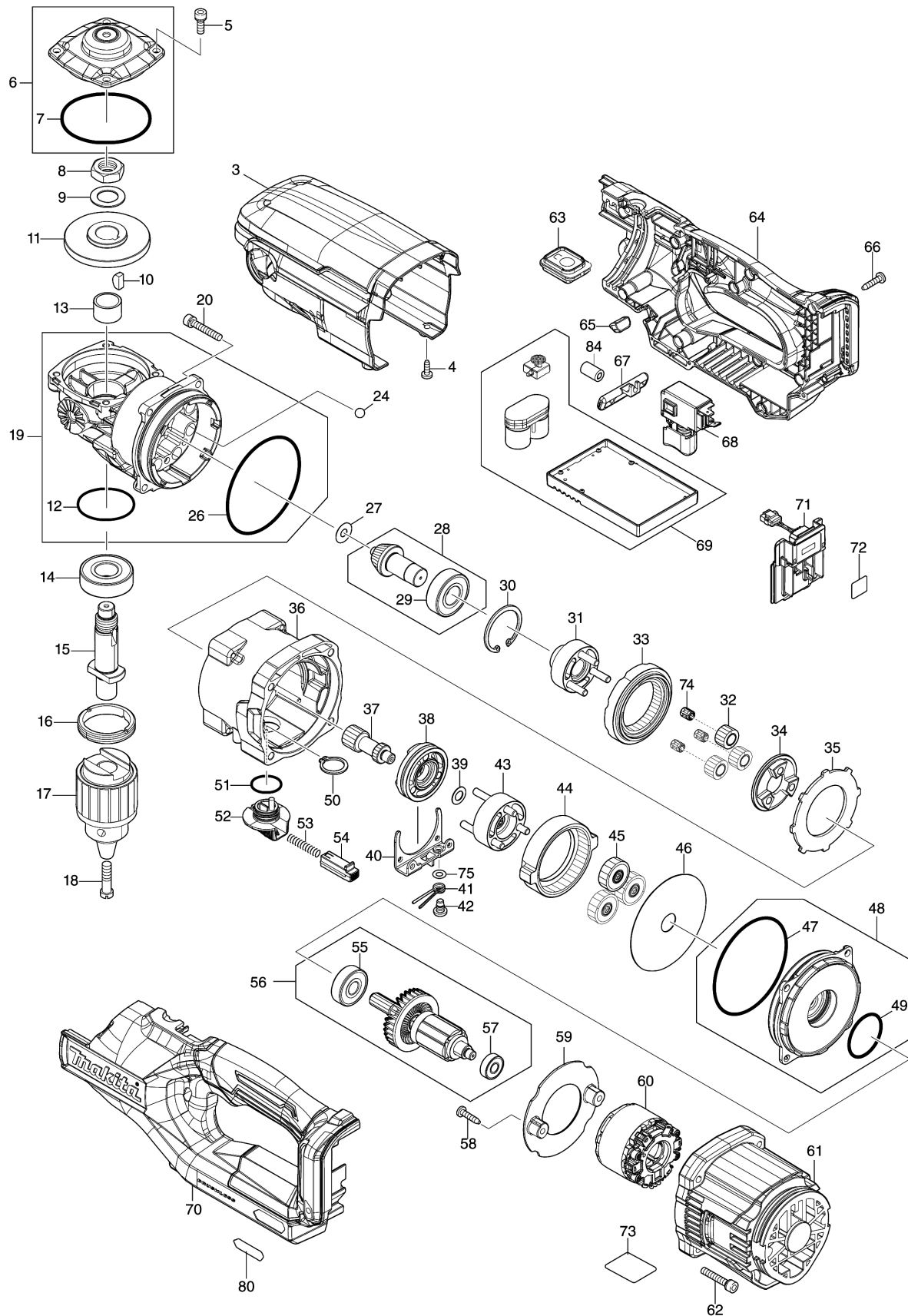
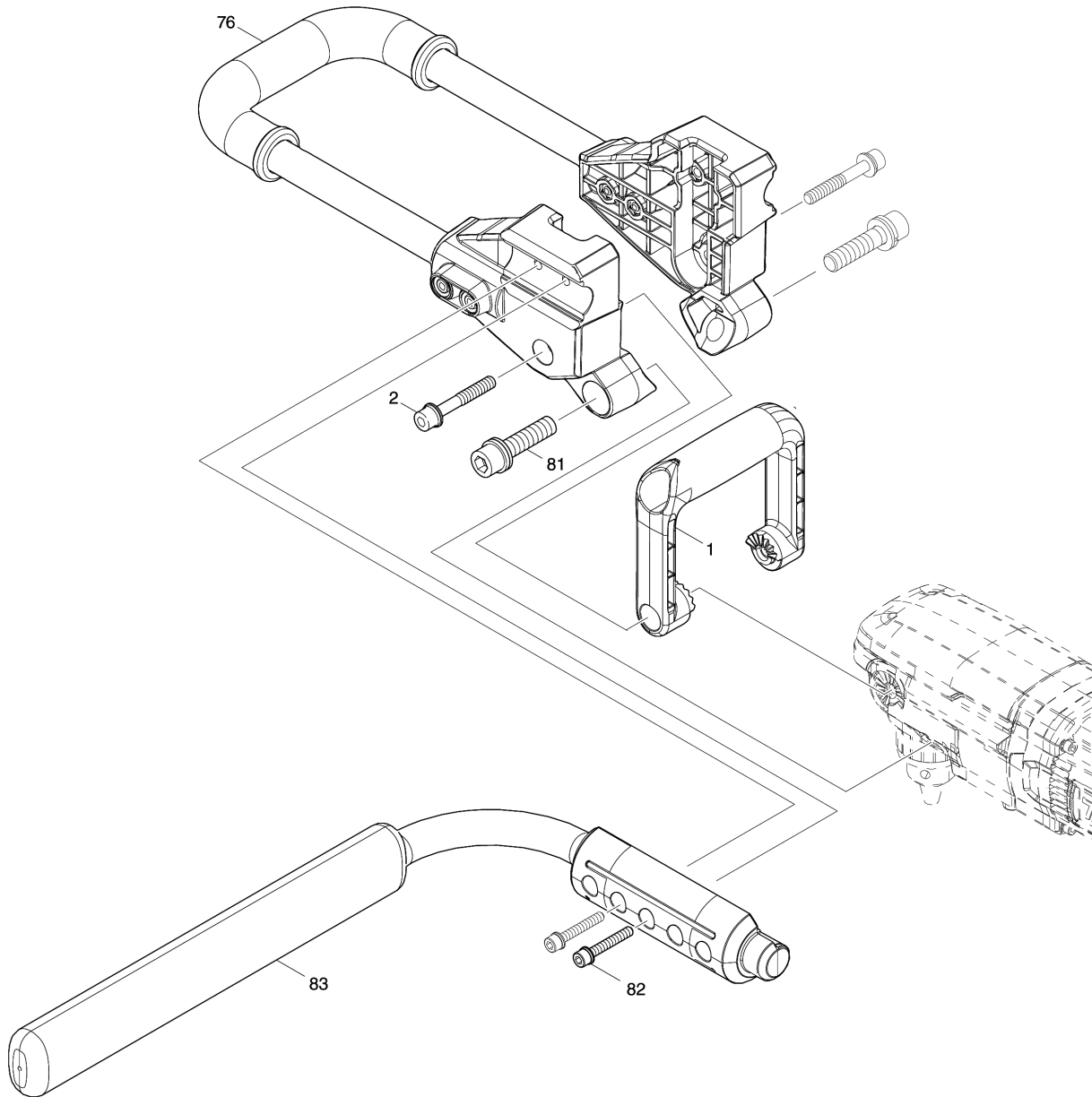


# Model No.DG001G CORDLESS EARTH AUGER





# Model No.DG001G CORDLESS EARTH AUGER





## Model No.DG001G CORDLESS EARTH AUGER

Item	Parts No.	Description	I/C	Qty	New/Old	Opt. 1	Opt. 2	Note
001	458431-1	前手柄 - DDA460		1				
002	922478-6	H.S.H.BOLT M8X55 WITH WR		2				
003	458430-3	頂蓋 - DDA460		1				
004	266026-4	自攻螺釘4X12 - 9046		2				
005	266086-6	內六角頭螺柱M5X16		4				
006	140A21-7	齒輪箱蓋總成 - DDA460		1				
D10		INC. 7						
007	213709-7	O形圈63 - DBN500		1				
008	252267-8	HEX. NUT M16-22		1				
009	253771-0	FLAT WASHER 16		1				
010	254032-1	半圓鍵5 - 5011NB		1				
011	227416-6	SPIRAL BEVEL GEAR 40		1	*			
011-1	227920-5	SPIRAL BEVEL GEAR 40	S	1				
012	213507-9	O形圈40 - HR2210		1				
013	257440-5	套筒 - DDA460		1				
014	211278-2	球軸承6203DDW - 2704		1				
015	327106-2	主軸 - DDA460		1				
016	285842-5	軸承保持架36-43		1				
017	763250-5	鑽夾頭S-13 - DDA460		1				
018	251463-5	- FLAT HEAD SCREW M6X22		1				
019	141D39-9	GEAR HOUSING COMPLETE		1				
D10		INC. 12,26						
020	265695-8	內六角頭螺柱M5X30 WRM - DDA460		4				
024	216022-2	鋼球7.0 - HR2412		8				
026	213755-0	O形圈75 - HM1500		1				
027	253411-0	平墊圈6 - DDA460		1				
028	140A23-3	螺旋斜齒輪13 - DDA460		1	*			
D10		INC. 29			*			
028-1	136563-1	SPIRAL BEVEL GEAR 13 ASS'Y	S	1				
D10		INC. 29						
029	211206-7	球軸承6202LLB -2414B		1				
030	962153-2	擋圈R-35		1				
031	140A13-6	外殼A - DDA460		1				
032	226176-7	直齒圓柱齒輪13 - DDA460		3				
033	226177-5	內齒輪殼40 - DDA460		1				
034	223188-1	齒輪組 - DDA460		1				
035	347365-2	墊圈65 - DDA460		1				

Please order the parts with part number.

Print Date 20/1/2022

## Model No.DG001G CORDLESS EARTH AUGER

Item	Parts No.	Description	I/C	Qty	New/Old	Opt. 1	Opt. 2	Note
036	127809-6	GEAR CASE COMPLETE		1				
037	226175-9	直齒圓柱齒輪14 - DDA460		1				
038	310876-0	換環 - DDA460		1				
039	253215-0	平墊圈8		1				
040	347366-0	轉換導件 - DDA460		1				
041	231657-8	TORSION SPRING 6		1				
042	265628-3	十圓頂寬邊接頭螺絲M5 - DDA460		1				
043	140A14-4	外殼B - DDA460		1				
044	226174-1	內齒輪殼71 - DDA460		1				
045	140A12-8	直齒圓柱齒輪29 - DDA460		3				
046	253412-8	平墊圈15 - DDA460		1				
047	213755-0	O形圈75 - HM1500		1				
048	140A20-9	電機托架 - DDA460		1				
D10		INC. 47,49						
049	213406-5	O形圈30 - HR4002C		1				
050	961058-3	擋圈(外) S-18 - DDA460		1				
051	213265-7	O形圈17 - HR2400		1				
052	458433-7	換檔杆 - DDA460		1				
053	233279-0	壓簧4 - BHR200		1				
054	458434-5	自鎖鈕 - DDA460		1				
055	211087-9	球軸承6200DW - BO3710		1				
056	519689-8	ROTOR ASSY		1				
D10		INC. 55,57						
057	211022-7	球軸承6077ZZ-BUH550		1				
058	266326-2	自攻螺釘4X18 - HR2810		2				
059	458427-2	擋風板 - DDA460		1				
060	629356-8	定子 - DDA460		1				
061	458426-4	機殼 - DDA460		1				
062	265695-8	內六角頭螺柱M5X30 WRM - DDA460		4				
063	140A19-4	控制器 - DDA460		1				
C10	810D46-0	SWITCH LABEL		1				
064	183S93-7	HANDLE SET		1				
C10	263005-3	橡膠銷6 - 2414B		2				
C20	252126-6	六角鎖緊螺母M4-7 - DBN500		1				
D10		INC. 70						
065	620839-1	LED回路 - DDA460		1				
066	266326-2	自攻螺釘4X18 - HR2810		10				
067	458432-9	正、反轉換杆 - DDA460		1				
068	651443-5	SWITCH C3JR-4B		1				

Please order the parts with part number.

Print Date 20/1/2022

## Model No.DG001G CORDLESS EARTH AUGER

Item	Parts No.	Description	I/C	Qty	New/Old	Opt. 1	Opt. 2	Note
069	620F91-7	CONTROLLER		1				
070	183S93-7	HANDLE SET		1				
C10	263005-3	橡膠銷6 - 2414B		2				
C20	252126-6	六角鎖緊螺母M4-7 - DBN500		1				
D10		INC. 64						
071	632P65-6	TERMINAL UNIT		1				
072	811G89-3	DG001G SERIAL NO. LABEL		1				
073	811G82-7	DG001G NAME PLATE		1				
074	212193-3	滾針定位圈5810 - DDA460		3				
075	267010-2	平墊圈5 - JS1660		1				
076	127688-2	PIPE GRIP ASSEMBLY		1				
077	264002-2	SQUARE NUT M5		2				
080	8012U4-2	XGT LOGO LABEL		1				
081	922673-8	H.S.H.BOLT M12X50 WITH WR		2				
082	922363-3	H.S.H.BOLT M6X40 WITH WR		2				
083	140W52-8	PIPE COMPLETE		1				
084	688162-0	LINE FILTER		1				
A01	141C01-8	KEY HOLDER COMPLETE		1				
A02	251314-2	十字頭螺絲M4X12 - BHP451		1				
A03	763251-3	CHUCK KEY S-13		1				
A04	783204-6	六角扳手6 - 8900S		1				
A05	783207-0	HEX. WRENCH 10		1				
A06	783232-1	HEX. WRENCH 5		1				
A07	922453-2	HEX.SOCKET HEAD BOLT M8X30		2				
A08	327684-2	ADAPTER A		1				
A09	327687-6	ADAPTER D		1				
A11	327686-8	ADAPTER C		1				
A12Y	***DC40RA	DC40RA FAST CHARGER		1				
D10		COMPO-PARTS						
A13Y	191B26-6	BATTERY BL4040 SET		1				
B01	191P11-3	HANDLE SET		1				
D10		INC. 2,76,81-83,A04-A06						

Please order the parts with part number.

Print Date 20/1/2022