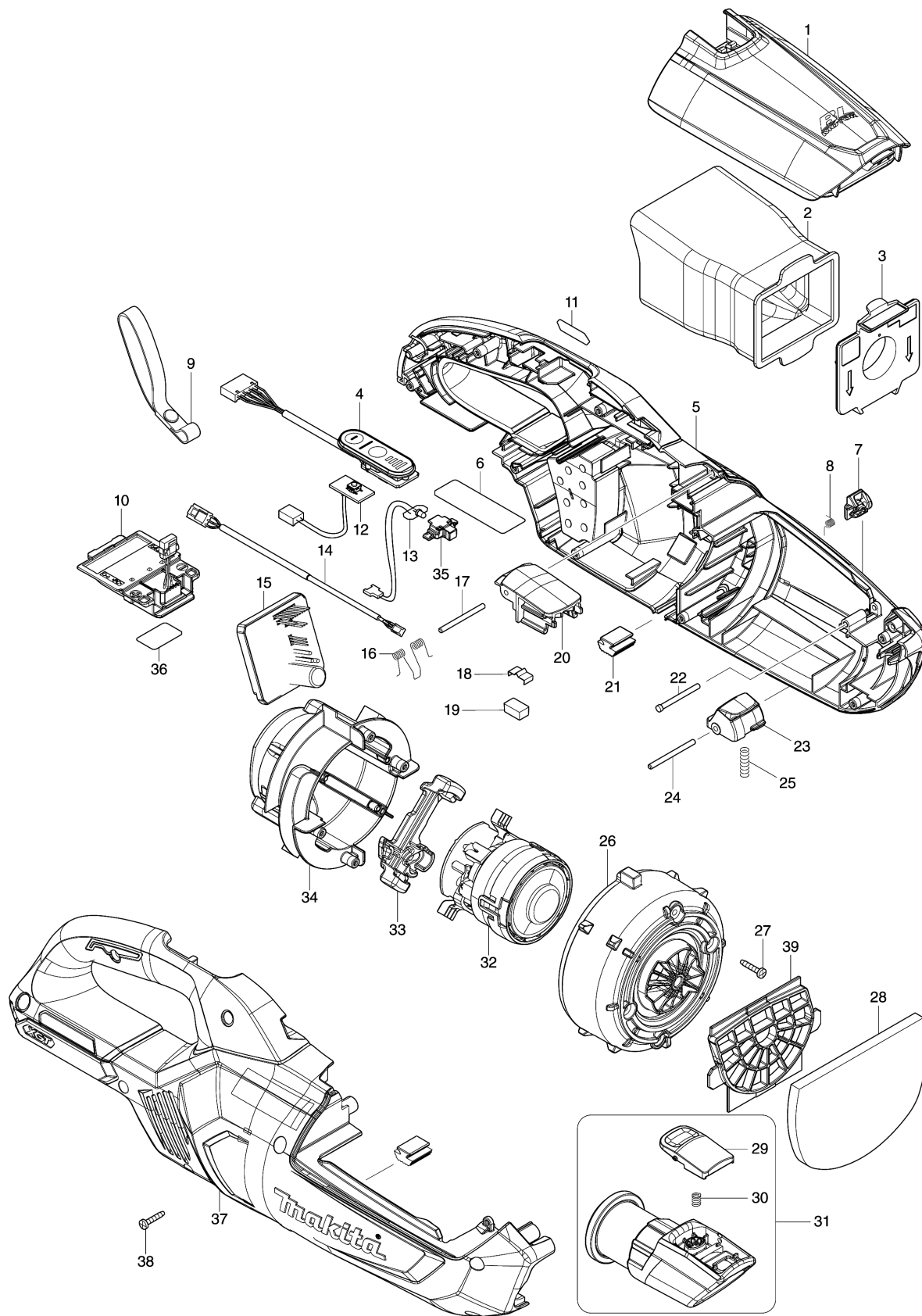


Model No.CL002G CORDLESS CLEANER



Model No.CL002G CORDLESS CLEANER

Item	Parts No.	Description	I/C	Qty	New/Old	Opt. 1	Opt. 2	Note
001U	141F10-5	FRONT COVER COMPLETE		1				
001V	141F21-0	FRONT COVER COMPLETE		1				
001W	141F10-5	FRONT COVER COMPLETE		1				
001X	141F10-5	FRONT COVER COMPLETE		1				
001Y	141F21-0	FRONT COVER COMPLETE		1				
001Z	141F21-0	FRONT COVER COMPLETE		1				
C10	424093-7	SEAL		1				
002W	198749-5	EASY SHAKE OFF DUST BAG SET EU		1	*			
002X	198749-5	EASY SHAKE OFF DUST BAG SET EU		1	*			
002Y	198749-5	EASY SHAKE OFF DUST BAG SET EU		1	*			
002Z	198749-5	EASY SHAKE OFF DUST BAG SET EU		1	*			
002-1U	1910M4-5	HIGH PERFORMANCE DUST BAG SET		1				
002-1V	1910M4-5	HIGH PERFORMANCE DUST BAG SET		1				
002-1W	1910M4-5	HIGH PERFORMANCE DUST BAG SET	<	1				
002-1X	1910M4-5	HIGH PERFORMANCE DUST BAG SET	<	1				
002-1Y	1910M4-5	HIGH PERFORMANCE DUST BAG SET	<	1				
002-1Z	1910M4-5	HIGH PERFORMANCE DUST BAG SET	<	1				
003	140K23-3	氣門 - DCL282F		1				
004	141B54-1	INDICATION CIRCUIT COMPLETE		1				
C10	8031J2-9	SWITCH LABEL		1				
005U	183U26-4	HOUSING SET		1				
005V	183U75-1	HOUSING SET		1				
005W	183U26-4	HOUSING SET		1				
005X	183U26-4	HOUSING SET		1				
005Y	183U75-1	HOUSING SET		1				
005Z	183U75-1	HOUSING SET		1				
C10	263005-3	橡膠銷6 - 2414B		2				
C20	422714-5	SPONGE SEAT		2				
D10		INC. 21,37						
006	8115A3-4	CL002G NAME PLATE		1				
007U	459327-9	止動板(白) - DCL282F		1				
007V	459302-5	STOPPER PLATE		1				

Please order the parts with part number.

Print Date 20/1/2022

Model No.CL002G CORDLESS CLEANER

Item	Parts No.	Description	I/C	Qty	New/Old	Opt. 1	Opt. 2	Note
007W	459327-9	止動板(白) - DCL282F		1				
007X	459327-9	止動板(白) - DCL282F		1				
007Y	459302-5	STOPPER PLATE		1				
007Z	459302-5	STOPPER PLATE		1				
008	232484-6	扭簧4 - DCL282F		1				
009	163400-6	手繩 - CL107FD		1				
010	632P65-6	TERMINAL UNIT		1				
011	8005T5-8	XGT LOGO LABEL		1				
012	620E74-1	SWITCH UNIT		1				
013	620E82-2	LED CIRCUIT		1				
014	632S32-9	LEAD UNIT		1				
015	620E90-3	CONTROLLER		1				
016	233580-3	TORSION SPRING 4		1				
017	268271-7	PIN 3		1				
018	232264-0	片簧 - CL107FD		1				
019	424367-6	橡膠墊 - CL107FD		1				
020U	459330-0	集塵箱蓋扣(白) - DCL282F		1				
020V	459351-2	FRONT COVER JOINT		1				
020W	459330-0	集塵箱蓋扣(白) - DCL282F		1				
020X	459330-0	集塵箱蓋扣(白) - DCL282F		1				
020Y	459351-2	FRONT COVER JOINT		1				
020Z	459351-2	FRONT COVER JOINT		1				
021	422460-0	橡膠墊 - DCL280F		2				
022	256590-3	平頭凹槽銷3 - DCL282F		1				
023U	459329-5	塵箱蓋按鈕(白) - DCL282F		1				
023V	459349-9	BUTTON B		1				
023W	459329-5	塵箱蓋按鈕(白) - DCL282F		1				
023X	459329-5	塵箱蓋按鈕(白) - DCL282F		1				
023Y	459349-9	BUTTON B		1				
023Z	459349-9	BUTTON B		1				
024	268271-7	PIN 3		1				
025	233344-5	壓簧4 - HR2450		1				
026	413645-9	MOTOR COVER F		1				
027	266429-2	自攻螺釘3X16 - TD0100		4				
028	424804-0	海綿墊70-106 - DCL182		1				
029	413F33-6	BUTTON C		1				
030	232485-4	壓簧5 - CL121D		1				
031U	136585-1	INLET ASS'Y		1				
031V	136586-9	INLET ASS'Y		1				
031W	136585-1	INLET ASS'Y		1				
031X	136585-1	INLET ASS'Y		1				
031Y	136586-9	INLET ASS'Y		1				

Please order the parts with part number.

Print Date 20/1/2022

Model No.CL002G CORDLESS CLEANER

Item	Parts No.	Description	I/C	Qty	New/Old	Opt. 1	Opt. 2	Note
031Z	136586-9	INLET ASS'Y		1				
C10	424094-5	PACKING		1				
D10		INC. 29,30						
032	629A46-9	MOTOR ASSEMBLY		1				
033	422723-4	MOTOR COVER SEAL		1				
034	141E55-7	MOTOR COVER R COMPLETE		1				
C10	263002-9	橡膠銷4 - 63004		4				
035	141H09-2	LED CASE COMPLETE		1				
036	8115A9-2	CL002G SERIAL NO. LABEL		1				
037U	183U26-4	HOUSING SET		1				
037V	183U75-1	HOUSING SET		1				
037W	183U26-4	HOUSING SET		1				
037X	183U26-4	HOUSING SET		1				
037Y	183U75-1	HOUSING SET		1				
037Z	183U75-1	HOUSING SET		1				
C10	263005-3	橡膠銷6 - 2414B		2				
C20	422714-5	SPONGE SEAT		2				
D10		INC. 5,21						
038	266429-2	自攻螺釘3X16 - TD0100		9				
039U	413J77-0	GUARD		1				
039V	413J77-0	GUARD		1				
039W	413J77-0	GUARD		1				
039X	413J77-0	GUARD		1				
039Y	413J77-0	GUARD		1				
039Z	413J77-0	GUARD		1				
A01U	127825-8	NOZZLE ASSEMBLY		1				
A01V	127828-2	NOZZLE ASSEMBLY		1				
A01W	127825-8	NOZZLE ASSEMBLY		1				
A01X	127825-8	NOZZLE ASSEMBLY		1				
A01Y	127828-2	NOZZLE ASSEMBLY		1				
A01Z	127828-2	NOZZLE ASSEMBLY		1				
A02U	413770-6	SASH NOZZLE		1				
A02V	413809-5	SASH NOZZLE		1				
A02W	413770-6	SASH NOZZLE		1				
A02X	413770-6	SASH NOZZLE		1				
A02Y	413809-5	SASH NOZZLE		1				
A02Z	413809-5	SASH NOZZLE		1				
A03U	459354-6	NOZZLE HOLDER		1				
A03V	459038-6	NOZZLE HOLDER		1				
A03W	459354-6	NOZZLE HOLDER		1				
A03X	459354-6	NOZZLE HOLDER		1				

Please order the parts with part number.

Print Date 20/1/2022

Model No.CL002G CORDLESS CLEANER

Item	Parts No.	Description	I/C	Qty	New/Old	Opt. 1	Opt. 2	Note
A03Y	459038-6	NOZZLE HOLDER		1				
A03Z	459038-6	NOZZLE HOLDER		1				
A04U	459353-8	管(白) - DCL280		1				
A04V	458942-6	PIPE		1				
A04W	459353-8	管(白) - DCL280		1				
A04X	459353-8	管(白) - DCL280		1				
A04Y	458942-6	PIPE		1				
A04Z	458942-6	PIPE		1				
A05U	198878-4	ROUND BRUSH SET 28 WHI		1				
A05V	198555-8	ROUND BRUSH SET 28 BLK EU		1				
A06U	191E30-3	FLEXIBLE HOSE SET(LOCK)		1				
A06V	191E30-3	FLEXIBLE HOSE SET(LOCK)		1				
A07U	198873-4	SHELF BRUSH SET28 WHI		1				
A07V	198540-1	SHELF BRUSH SET28 BLK EU		1				
A09	194566-1	過濾紙(5片) - 4072D		1				
A10U	***DC40RA	DC40RA FAST CHARGER		1				
D10		COMPO-PARTS						
A10V	***DC40RA	DC40RA FAST CHARGER		1				
D10		COMPO-PARTS						
A10W	***DC40RA	DC40RA FAST CHARGER		1				
D10		COMPO-PARTS						
A10Y	***DC40RA	DC40RA FAST CHARGER		1				
D10		COMPO-PARTS						
A11U	191B36-3	BATTERY BL4025 SET		1				
A11V	191B36-3	BATTERY BL4025 SET		1				
A11W	191B36-3	BATTERY BL4025 SET		2				
A11Y	191B36-3	BATTERY BL4025 SET		2				
A12U	412393-7	BATTERY COVER		1				
A12V	412393-7	BATTERY COVER		1				
A12W	412393-7	BATTERY COVER		2				
A12Y	412393-7	BATTERY COVER		2				
A14U	191D71-3	CYCLONE ATTACHMENT SET (LOCK)		1				
A14V	191D73-9	CYCLONE ATTACHMENT SET (LOCK)		1				
D10		COMPO-PARTS						
A15U	199901-8	TOOL BAG SET		1				
C10	161904-2	SHOULDER BELT		1				
A15V	199901-8	TOOL BAG SET		1				
C10	161904-2	SHOULDER BELT		1				

Please order the parts with part number.

Print Date 20/1/2022

Model No.CL002G CORDLESS CLEANER

Item	Parts No.	Description	I/C	Qty	New/Old	Opt. 1	Opt. 2	Note
E01	688163-8	LINE FILTER		1				

Please order the parts with part number.

Print Date 20/1/2022