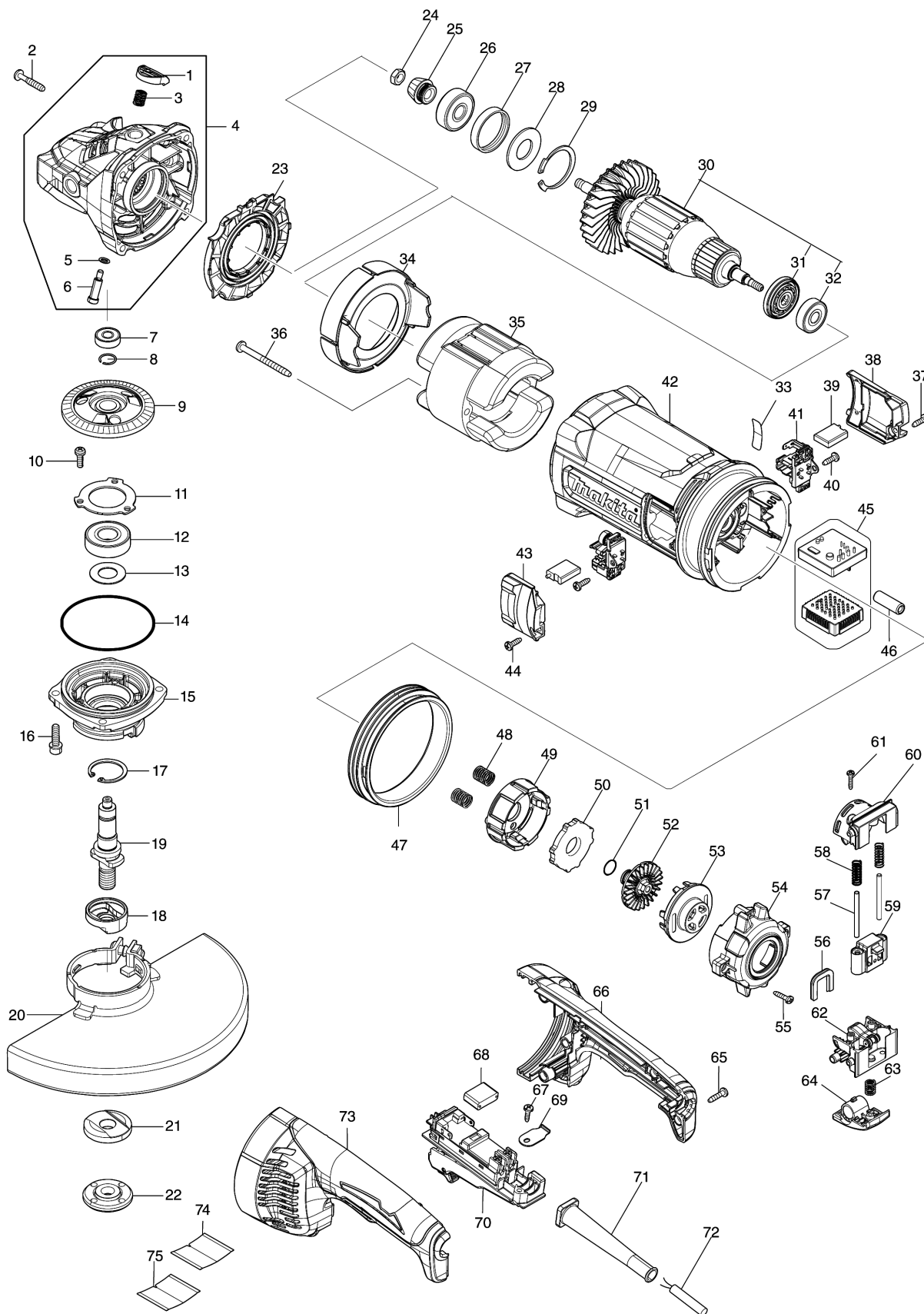


Model No.GA9070 230MM ANGLE GRINDER



Model No.GA9070 230MM ANGLE GRINDER

Item	Parts No.	Description	I/C	Qty	New/Old	Opt. 1	Opt. 2	Note
001	456247-8	銷蓋 - GA7060R		1				
002	266553-1	TAPPING SCREW 5X30		4				
003	234391-9	壓簧8 - GA7060R		1				
004	140Y89-7	GEAR HOUSING COMPLETE		1				
C10	263002-9	橡膠銷4 - 63004		1				
C20	262118-7	FELT RING 18		1				
D10		INC. 1,3,5,6						
005	213026-5	O型圈7 - GA7050		1				
006	256571-7	鎖銷7 - GA7060R		1				
007	211032-4	球軸承608ZZ - 1900B		1				
008	233925-5	彈性環13 - GA7050		1				
009	227653-2	螺旋斜齒輪54 - GA9060		1				
010	265120-9	PAN HEAD SCREW M5X16		3				
011	285741-1	軸承保持架50 - GA7060R		1				
012	211278-2	球軸承6203DDW - 2704		1				
013	267487-1	FLAT WASHER 17		1				
014	213760-7	O RING 78		1				
015	312A97-6	BEARING BOX		1				
016	265541-5	內六角頭螺栓M5X22 - GA9020		4				
017	962151-6	擋圈R-32		1				
018	310800-3	頂壓板 - DGA900		1				
019	327762-8	SPINDLE		1				
020	122891-0	機輪蓋230K - GA9020		1				
C10	213017-6	O形圈12 - GA7050		1				
C20	265198-2	+PAN HEAD SCREW M8X25		1				
021	224447-6	INNER FLANGE 42B		1				
022	224485-8	鎖緊螺母14-45 - GA7060R		1				
023	456238-9	擴散裝置 - GA7060R		1				
024	252194-9	HEX. NUT M8		1				
025	227652-4	螺旋斜齒輪13 - GA9060		1				
026	211132-0	BALL BEARING 6301DDW		1				
027	262085-6	RUBBER RING 38		1				
028	267299-2	FLAT WASHER 20		1				
029	962211-4	RETAINING RING R-42		1				
030Y	511A14-5	ARMATURE ASS'Y 220-240V		1				
030Z	511A11-1	ARMATURE ASS'Y 115V		1				
C10	240161-6	風扇86 - GA7060R		1				
D10		INC. 31,32						
031	681025-9	INSULATION WASHER		1				

Please order the parts with part number.

Print Date 15/12/2021

Model No.GA9070 230MM ANGLE GRINDER

Item	Parts No.	Description	I/C	Qty	New/Old	Opt. 1	Opt. 2	Note
032	210267-4	BALL BEARING 6200DDW		1				
033	811P30-0	GA9070 SERIAL NO. LABEL		1				
034	456239-7	擋風板 - GA7060R		1				
035Y	621923-5	FIELD 220V		1				
035Z	621921-9	FIELD 115V		1				
036	266044-2	自攻螺釘5X60 - 5901B		2				
037	266385-6	TAPPING SCREW 4X14		1				
038	183T24-2	BRUSH HOLDER COVER SET		1				
D10		INC. 43						
039	191T31-1	CARBON BRUSH SET		1				
040	266385-6	TAPPING SCREW 4X14		2				
041	644001-4	BRUSH HOLDER		2				
042	413343-5	MOTOR HOUSING		1				
043	183T24-2	BRUSH HOLDER COVER SET		1				
D10		INC. 38						
044	266385-6	TAPPING SCREW 4X14		1				
045Y	620D47-8	CONTROLLER		1				
045Z	620D46-0	CONTROLLER		1				
046	688165-4	LINE FILTER		1				
047	422671-7	VIBRATION PROOF RUBBER		1				
048	232677-5	COMPRESSION SPRING 10		2				
049	312A98-4	SHOE HOLDER		1				
050	422672-5	BRAKE SHOE		1				
051	213118-0	O形圈12 - HR4511C		1				
052	313360-4	FAN 45		1				
053	413388-3	SHOE HOLDER CAP		1				
054	140Y86-3	SHOE HOLDER COVER COMPLETE		1				
C10	263027-3	RUBBER PIN 4		2				
055	266326-2	自攻螺釘4X18 - HR2810		2				
056	422669-4	LINK SEAL		1				
057	256225-6	PIN 4		2				
058	232676-7	COMPRESSION SPRING 7		2				
059	140Y87-1	SLIDE RALL COMPLETE		1				
060	413381-7	UPPER LINK CASE		1				
061	266130-9	螺絲M3X16 - 6019DW		2				
062	140Y88-9	LOWER LINK CASE COMPLETE		1				
063	233375-4	COMPRESSION SPRING 7		1				
064	413389-1	LOCK BUTTON		1				

Please order the parts with part number.

Print Date 15/12/2021

Model No.GA9070 230MM ANGLE GRINDER

Item	Parts No.	Description	I/C	Qty	New/Old	Opt. 1	Opt. 2	Note
065	266326-2	自攻螺釘4X18 – HR2810		4				
066	183T22-6	HANDLE SET		1				
D10		INC. 73						
067	266385-6	TAPPING SCREW 4X14		1				
068	645088-9	NOISE SUPPRESSOR		1				
069	687169-3	軟線壓板 – MT240		1				
070	632S37-9	SWITCH UNIT		1				
071	682573-1	軟線護套10 – JR3050T		1				
072Y	692607-2	POWER SUPPLY CORD 1.5-2-2.5		1				
072Z	695217-4	POWER SUPPLY CORD 1.5-2-2.5		1				
073	183T22-6	HANDLE SET		1				
D10		INC. 66						
074	811P26-1	GA9070 NAME PLATE		1				
075	8037A3-0	CLEAR LABEL		1				
A01	143486-6	GRIP 37 COMPLETE		1				
A02	782034-2	LOCK NUT WRENCH 35		1				
E01	8037B1-1	CAUTION LABEL		1				
E02Z	654091-9	NON-INSULATED TERMINAL1.25-2AF		2				
E03Z	655030-2	PLUG UK TYPE 16A-4H/110V		1	*			
E03-1Z	655053-0	PLUG	<	1				

Please order the parts with part number.

Print Date 15/12/2021