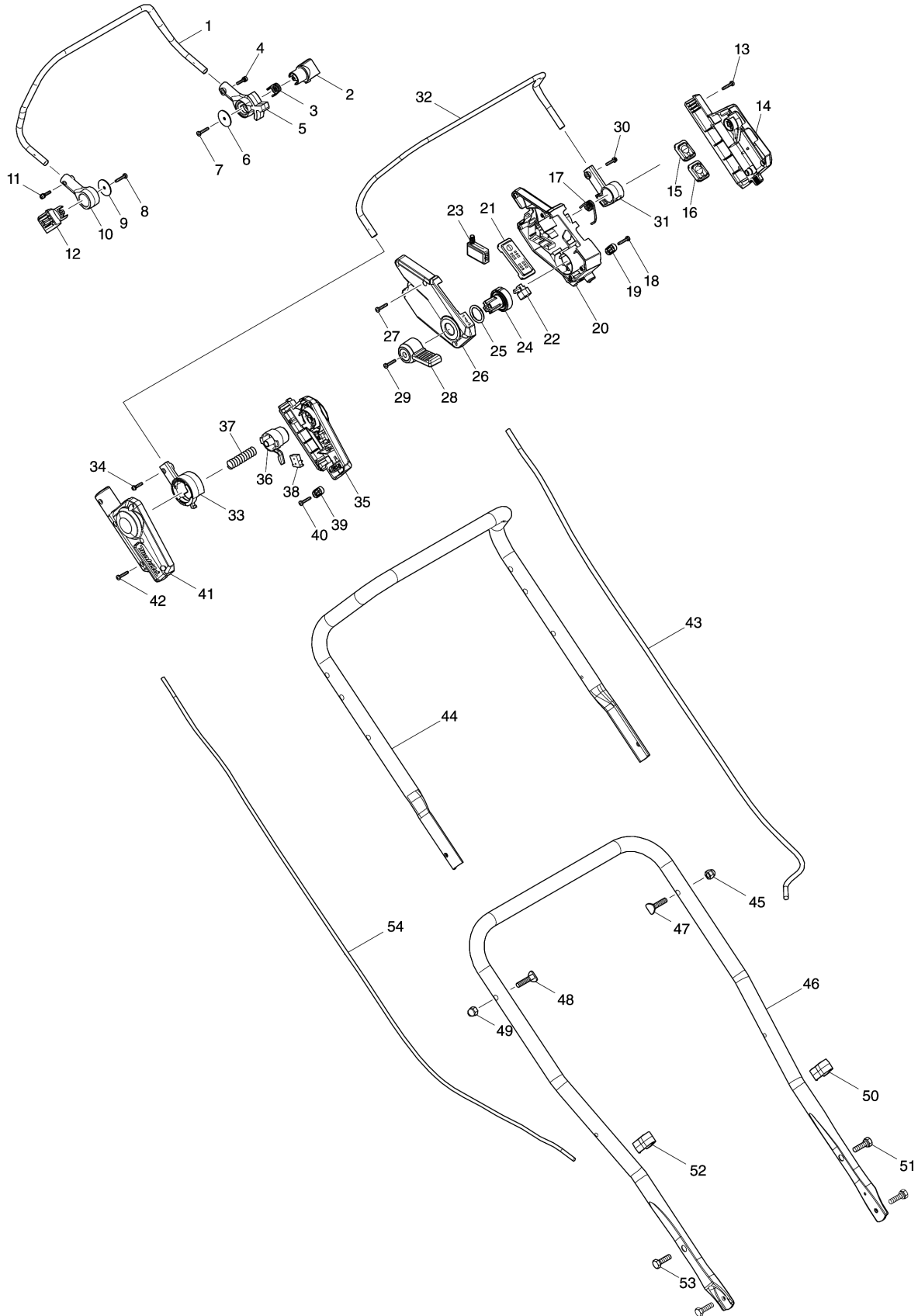
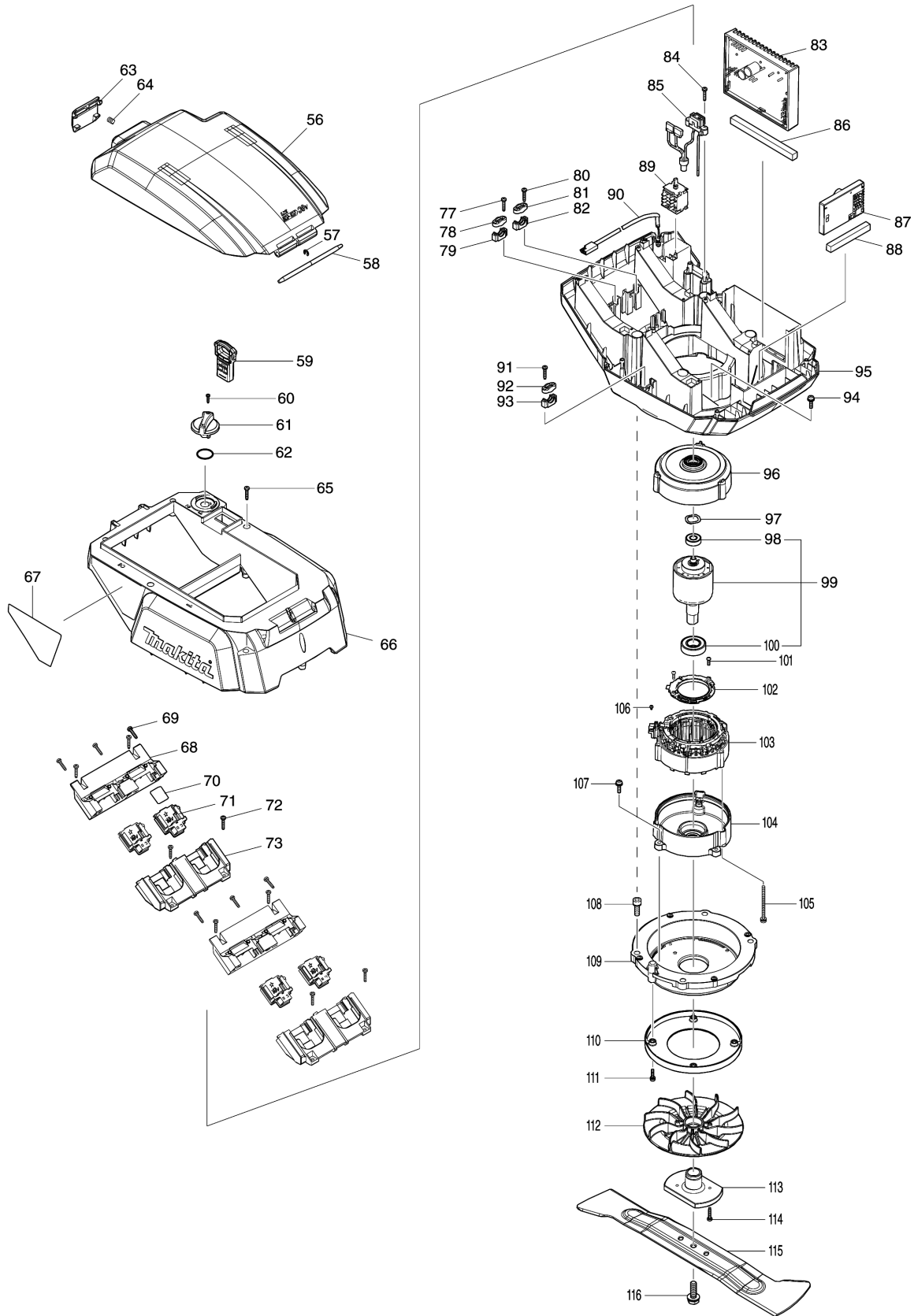


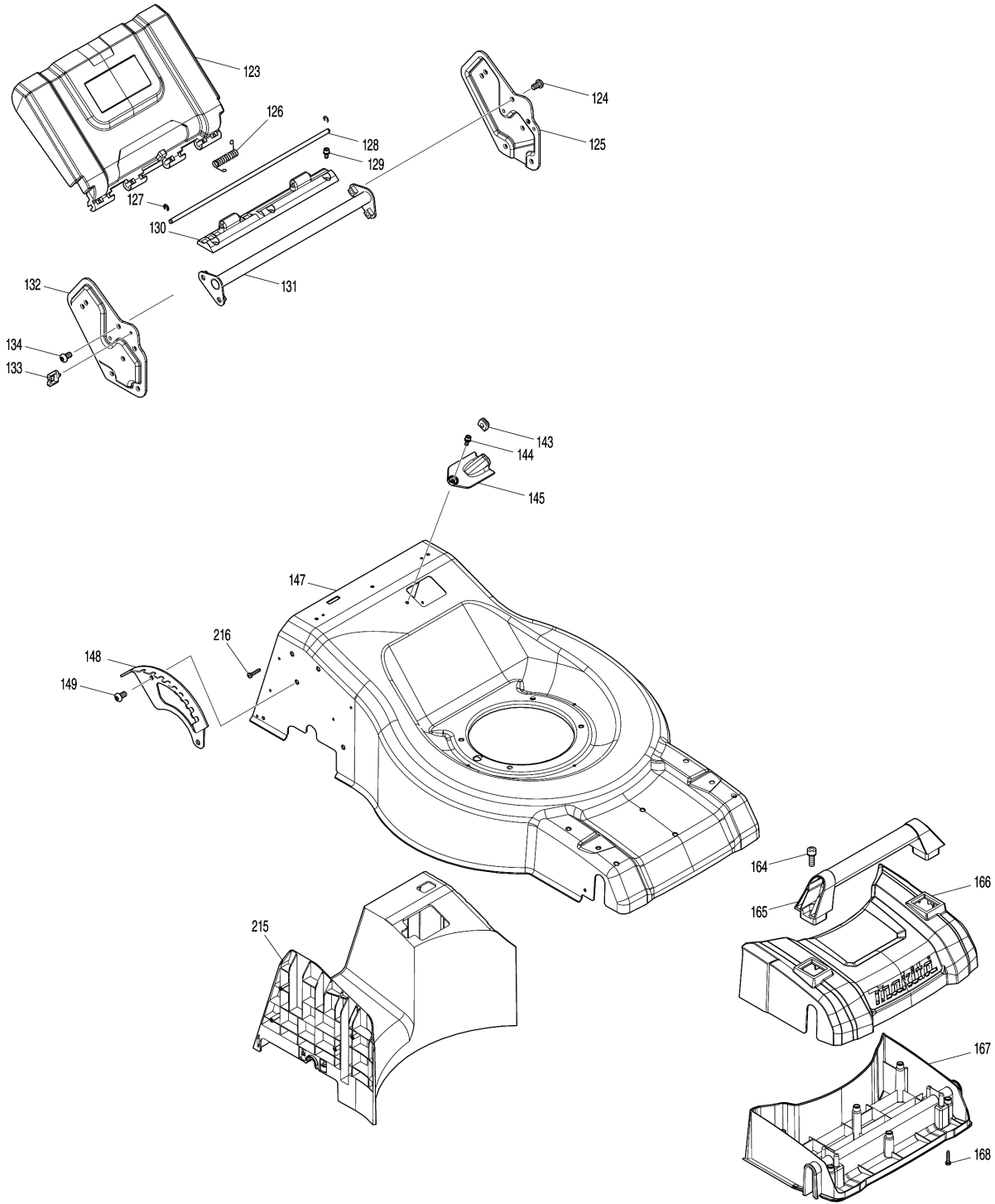
Model No.DLM462 460MM CORDLESS LAWN MOWER



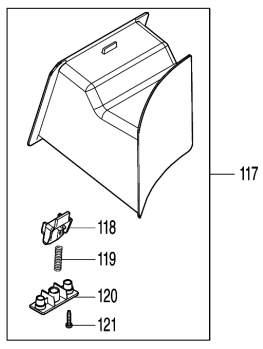
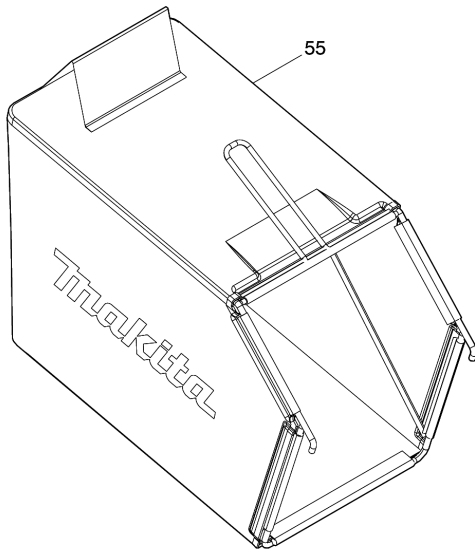
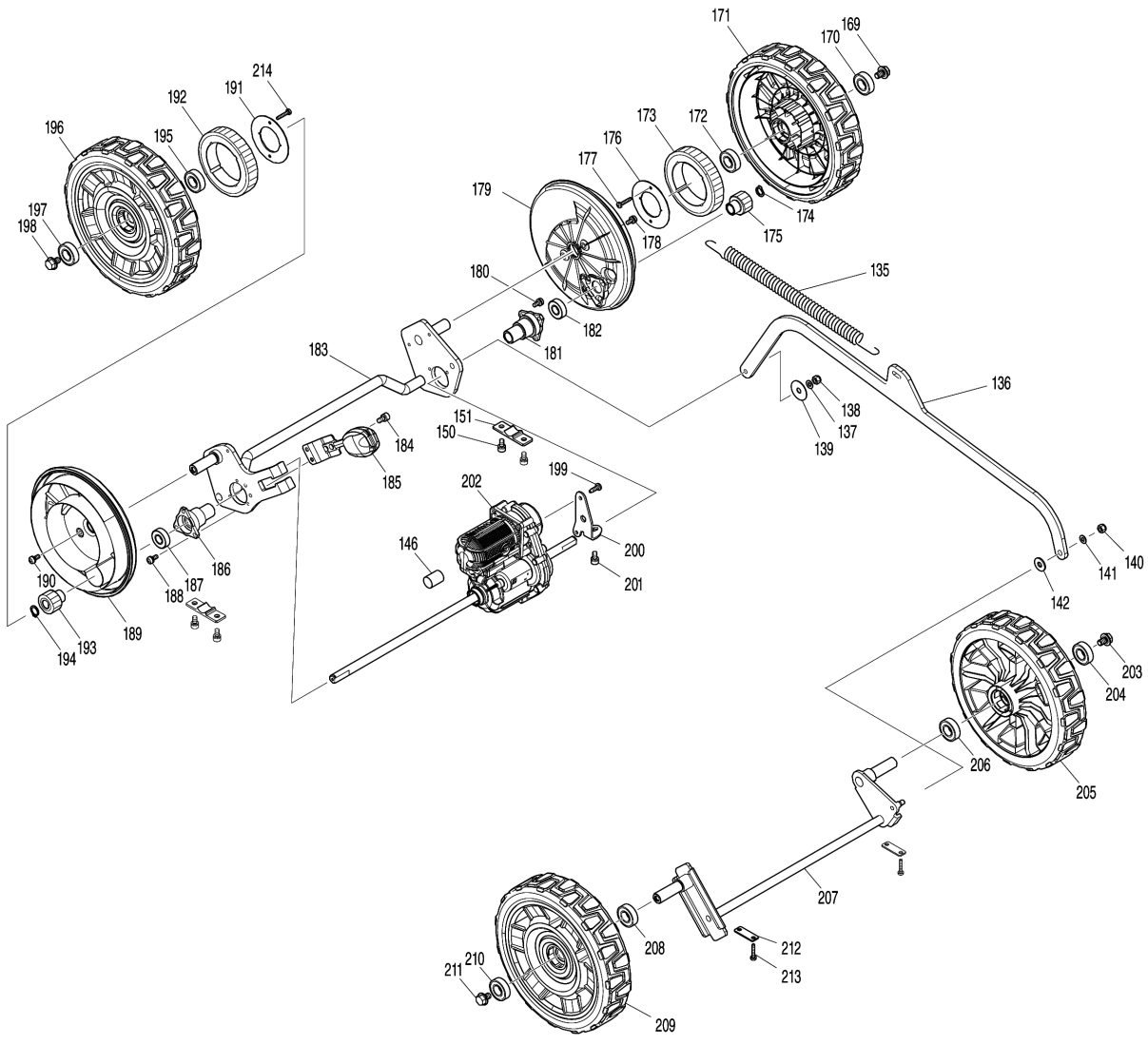
Model No.DLM462 460MM CORDLESS LAWN MOWER



Model No.DLM462 460MM CORDLESS LAWN MOWER



Model No.DLM462 460MM CORDLESS LAWN MOWER



Model No.DLM462 460MM CORDLESS LAWN MOWER

Item	Parts No.	Description	I/C	Qty	New/Old	Opt. 1	Opt. 2	Note
001	327425-6	DRIVING LEVER		1				
002	459859-6	DRIVING LEVER HOLDER		1				
003	232566-4	TORSION SPRING 12		1				
004	911138-5	盤頭螺絲M4X20		1				
005	459864-3	DRIVING LEVER SUPPORT L		1				
006	267136-0	平墊圈5 - LS1040		1				
007	266424-2	自攻螺釘4X20 - DTM51		1				
008	266424-2	自攻螺釘4X20 - DTM51		1				
009	267136-0	平墊圈5 - LS1040		1				
010	459858-8	DRIVING LEVER SUPPORT R		1				
011	911138-5	盤頭螺絲M4X20		1				
012	459859-6	DRIVING LEVER HOLDER		1				
013	266424-2	自攻螺釘4X20 - DTM51		6				
014	183N90-3	SWITCH BOX SET		1				
D10		INC. 26						
015	140F09-7	開關電路 - DLM460		1				
C10	810D46-0	SWITCH LABEL		1				
016	140F10-2	開關電路 - DLM460		1				
C10	818A74-1	SWITCH LABEL		1				
017	232575-3	TORSION SPRING 12		1				
018	266424-2	自攻螺釘4X20 - DTM51		2				
019	687124-5	軟線夾 - MT951		1				
020	459860-1	SWITCH BOX		1				
021	620C48-0	INDICATION CIRCUIT COMPLETE		1				
C10	8007C8-5	INDICATION LABEL		1				
022	620415-1	副控制器 - MUB362D		1				
023	651083-9	SWITCH C3XA-1PSPM		1				
024	459866-9	SPEED LEVER HOLDER		1				
025	213897-0	O-RING 26		1				
026	183N90-3	SWITCH BOX SET		1				
D10		INC. 14						
027	266424-2	自攻螺釘4X20 - DTM51		5				
028	459865-1	SPEED LEVER		1				
029	266424-2	自攻螺釘4X20 - DTM51		1				
030	911138-5	盤頭螺絲M4X20		1				
031	459863-5	SWITCH LEVER SUPPORT L		1				
C10	931102-0	六角螺母M4		1				
032	327424-8	SWITCH LEVER		1				

Model No.DLM462 460MM CORDLESS LAWN MOWER

Item	Parts No.	Description	I/C	Qty	New/Old	Opt. 1	Opt. 2	Note
033	459856-2	SWITCH LEVER SUPPORT R		1				
C10	931102-0	六角螺母M4		1				
034	911138-5	盤頭螺絲M4X20		1				
035	183P40-0	LEVER BOX SET		1				
C10	8007C6-9	INDICATION LABEL		1				
D10		INC. 41						
036	459857-0	LOCK OFF BUTTON		1				
037	231227-3	COMPRESSION SPRING 15		1				
038	632E26-0	開關組 - MUR185LD		1				
039	687124-5	軟線夾 - MT951		1				
040	266424-2	自攻螺釘4X20 - DTM51		2				
041	183P40-0	LEVER BOX SET		1				
C10	8007C6-9	INDICATION LABEL		1				
D10		INC. 35						
042	266424-2	自攻螺釘4X20 - DTM51		6				
043	699143-9	POWER SUPPLY CORD UNIT		1				
044	327421-4	HANDLE UPPER		1				
045	252278-3	HEX. CAP NUT M8		1				
046	327423-0	HANDLE LOWER		1				
047	265A62-3	FLAT HEAD BOLT M8X38		1				
048	265A62-3	FLAT HEAD BOLT M8X38		1				
049	252278-3	HEX. CAP NUT M8		1				
050	459905-5	CLAMP		1				
051	921451-3	HEX. BOLT M8X30		2				
052	459905-5	CLAMP		1				
053	921451-3	HEX. BOLT M8X30		2				
054	699142-1	POWER SUPPLY CORD UNIT		1				
055	127433-5	GRASS CATCHER ASSEMBLY		1				
056	140S03-7	BATTERY COVER COMPLETE		1				
C10	890380-0	CAUTION LABEL		1				
057	961018-5	擋圈E-5		1				
058	327536-7	ROD 6		1				
059	643535-4	安全匙 - DLM460		1				
060	266404-8	自攻螺絲4X25 - TD020D		1				
061	459851-2	SWITCH LEVER		1				
062	213896-2	O-RING 24		1				
063	459852-0	LOCK LEVER		1				

Model No.DLM462 460MM CORDLESS LAWN MOWER

Item	Parts No.	Description	I/C	Qty	New/Old	Opt. 1	Opt. 2	Note
064	231037-8	壓簧7 - 3600H		1				
065	266424-2	自攻螺釘4X20 - DTM51		7				
066	459847-3	COWLING UPPER		1				
067	856P63-8	DLM462 NAME PLATE		1				
068	183N78-3	TERMINAL HOUSING SET		2				
C10	263005-3	橡膠銷6 - 2414B		8				
D10		INC. 73						
069	266424-2	自攻螺釘4X20 - DTM51		6				
070	856P71-9	DLM462 SERIAL NO. LABEL		1				
071	644809-6	端子 - DJR186Z		4				
072	266424-2	自攻螺釘4X20 - DTM51		8				
073	183N78-3	TERMINAL HOUSING SET		2				
C10	263005-3	橡膠銷6 - 2414B		8				
D10		INC. 68						
077	266424-2	自攻螺釘4X20 - DTM51		2				
078	687124-5	軟線夾 - MT951		1				
079	687051-6	軟線壓板 - 3600HA		1				
080	266424-2	自攻螺釘4X20 - DTM51		2				
081	687124-5	軟線夾 - MT951		1				
082	687051-6	軟線壓板 - 3600HA		1				
083	620C44-8	CONTROLLER		1				
084	266424-2	自攻螺釘4X20 - DTM51		2				
085	632P74-5	LEAD UNIT		1				
086	422529-0	SPONGE B		1				
087	620C47-2	CONTROLLER		1				
088	422528-2	SPONGE A		1				
089	651444-3	SWITCH 1703.4703		1				
090	699145-5	POWER SUPPLY CORD UNIT		1				
091	266424-2	自攻螺釘4X20 - DTM51		2				
092	687124-5	軟線夾 - MT951		1				
093	687051-6	軟線壓板 - 3600HA		1				
094	911233-1	盤頭螺絲M5X20 - 5012B		4				
095	459848-1	COWLING LOWER		1				
096	319869-4	MOTOR HOUSING UPPER		1				
097	253455-0	WAVE WASHER 19		1				
098	210141-6	球軸承6000DDW- MT192		1				
099	519606-8	ROTOR ASS'Y		1				
D10		INC. 98,100						
100	211387-7	BALL BEARING 6004LLU		1				
101	265B29-7	TAPPING SCREW PT 2X8		2				
102	620B88-2	CONTROLLER B		1				

Please order the parts with part number.

Print Date 21/6/2021

Model No.DLM462 460MM CORDLESS LAWN MOWER

Item	Parts No.	Description	I/C	Qty	New/Old	Opt. 1	Opt. 2	Note
103	629465-3	STATOR		1				
104	319870-9	MOTOR HOUSING LOWER		1				
105	911691-1	PAN HEAD SCREW M5X70		3				
106	652031-1	PAN HEAD SCREW M3X6		3				
107	911233-1	盤頭螺絲M5X20 - 5012B		4				
108	922441-9	內六角頭螺栓M8X25 - PC5001C		4				
109	319867-8	MOTOR BRACKET		1				
110	459853-8	BAFFLE PLATE		1				
111	911126-2	PAN HEAD SCREW M4X16		4				
112	240205-2	FAN 170		1				
113	319882-2	BLADE SUPPORT		1				
114	266424-2	自攻螺釘4X20 - DTM51		2				
115	191D51-9	BLADE 460 SET		1				
116	265A69-9	HEX. BOLT M10X35 WITH WG		1				
117	127515-3	MULCHING PLUG ASSEMBLY		1				
D10		INC. 118-121						
118	459884-7	LOCK LEVER		1				
119	231401-3	COMPRESSION SPRING 7		1				
120	459885-5	LOCK LEVER SUPPORT		1				
121	266424-2	自攻螺釘4X20 - DTM51		2				
123	140R95-0	REAR FLAP COMPLETE		1				
C10	8007P8-6	CAUTION LABEL		1				
124	265B20-5	HEX.SOCKET BUTTON HEAD BOLT M8		4				
125	347579-3	HANDLE BRACKET L		1				
126	233597-6	扭簧8 - LM430D		1				
127	961018-5	擋圈E-5		2				
128	327419-1	ROD 6		1				
129	922213-2	H.S.H.BOLT M5X12 WITH WR		3				
130	459879-0	REAR FLAP HOLDER PLATE		1				
131	162693-2	REAR GRIP		1				
132	347578-5	HANDLE BRACKET R		1				
133	451825-9	CLAMP		1				
134	265B20-5	HEX.SOCKET BUTTON HEAD BOLT M8		4				
135	232628-8	TENSION SPRING 16		1				
136	347581-6	CONNECTING ROD		1				
137	941151-9	平墊圈6 - 3703		1				

Model No.DLM462 460MM CORDLESS LAWN MOWER

Item	Parts No.	Description	I/C	Qty	New/Old	Opt. 1	Opt. 2	Note
138	252014-7	六角鎖緊螺母M6X10 – N5900B		1				
139	267216-2	平墊圈8 – BO3700		1				
140	252014-7	六角鎖緊螺母M6X10 – N5900B		1				
141	941151-9	平墊圈6 – 3703		1				
142	253762-1	平墊圈8 – LS1045		1				
143	422526-6	GROMMET		1				
144	922213-2	H.S.H.BOLT M5X12 WITH WR		1				
145	459880-5	LEAD COVER		1				
146	683A20-1	POLYOLEFIN TUBE		1				
147	347560-4	DECK		1				
148	347582-4	HEIGHT ADJUST PLATE		1				
149	265B20-5	HEX.SOCKET BUTTON HEAD BOLT M8		2				
150	922311-2	HEX. SOCKET HEAD BOLT M6X12		4				
151	313290-9	REAR SHAFT HOLDER COVER		2				
164	922441-9	內六角頭螺栓M8X25 – PC5001C		2				
165	459870-8	FRONT GRIP		1				
166	459873-2	FRONT COVER		1				
167	459874-0	DECK UNDER COVER F		1				
168	266424-2	自攻螺釘4X20 – DTM51		6				
169	265324-3	六角頭凸緣螺栓M8X12		1				
170	211247-3	球軸承6002DDW – GA6021C		1				
171	127513-7	REAR WHEEL ASSEMBLY		1				
172	211247-3	球軸承6002DDW – GA6021C		1				
173	226941-4	SPUR GEAR 49		1				
174	961052-5	擋圈S-12		1				
175	226940-6	SPUR GEAR 12		1				
176	347586-6	GEAR HOLDER PLATE		1				
177	266424-2	自攻螺釘4X20 – DTM51		2				
178	911213-7	盤頭螺絲M5X12		2				
179	459867-7	WHEEL CAP		1				
180	911213-7	盤頭螺絲M5X12		3				
181	327426-4	REAR SHAFT HOLDER		1				
182	210163-6	BALL BEARING 6001DDW		2				
183	162691-6	REAR SHAFT		1				
184	922311-2	HEX. SOCKET HEAD BOLT M6X12		2				

Please order the parts with part number.

Print Date 21/6/2021

Model No.DLM462 460MM CORDLESS LAWN MOWER

Item	Parts No.	Description	I/C	Qty	New/Old	Opt. 1	Opt. 2	Note
185	162694-0	HEIGHT ADJUST LEVER COMPLETE		1				
186	327426-4	REAR SHAFT HOLDER		1				
187	210163-6	BALL BEARING 6001DDW		2				
188	911213-7	盤頭螺絲M5X12		3				
189	459867-7	WHEEL CAP		1				
190	911213-7	盤頭螺絲M5X12		2				
191	347586-6	GEAR HOLDER PLATE		1				
192	226941-4	SPUR GEAR 49		1				
193	226940-6	SPUR GEAR 12		1				
194	961052-5	擋圈S-12		1				
195	211247-3	球軸承6002DDW - GA6021C		1				
196	127513-7	REAR WHEEL ASSEMBLY		1				
197	211247-3	球軸承6002DDW - GA6021C		1				
198	265324-3	六角頭凸緣螺栓M8X12		1				
199	266388-0	TAPPING SCREW 5X16		2				
200	347585-8	BRACKET		1				
201	922311-2	HEX. SOCKET HEAD BOLT M6X12		1				
202	127509-8	DRIVE UNIT ASSEMBLY		1				
203	265324-3	六角頭凸緣螺栓M8X12		1				
204	211247-3	球軸承6002DDW - GA6021C		1				
205	127514-5	FRONT WHEEL ASSEMBLY		1				
206	211247-3	球軸承6002DDW - GA6021C		1				
207	162690-8	FRONT SHAFT		1				
208	211247-3	球軸承6002DDW - GA6021C		1				
209	127514-5	FRONT WHEEL ASSEMBLY		1				
210	211247-3	球軸承6002DDW - GA6021C		1				
211	265324-3	六角頭凸緣螺栓M8X12		1				
212	341462-6	板塊 - JR3020		2				
213	266424-2	自攻螺釘4X20 - DTM51		4				
214	266424-2	自攻螺釘4X20 - DTM51		2				
215	459875-8	DECK UNDER COVER R		1				
216	266424-2	自攻螺釘4X20 - DTM51		10				
A01	327589-6	ROD 6		1				
A02	782210-8	套筒扳手17 - 2414B		1				
A03	782212-4	套筒扳手13 - 5012B		1				
E01	800A17-7	SOUND 94DB LABEL		1				

Please order the parts with part number.

Print Date 21/6/2021