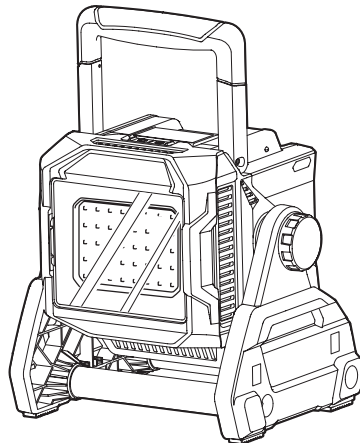


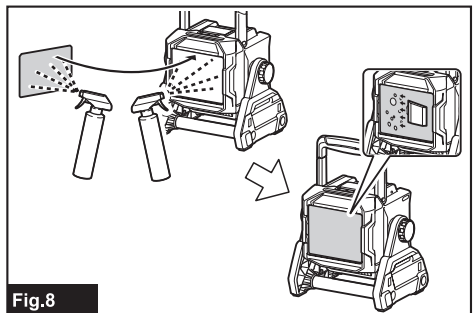
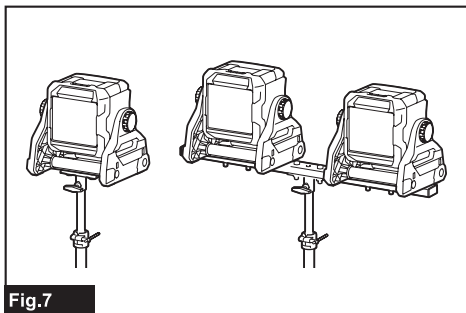
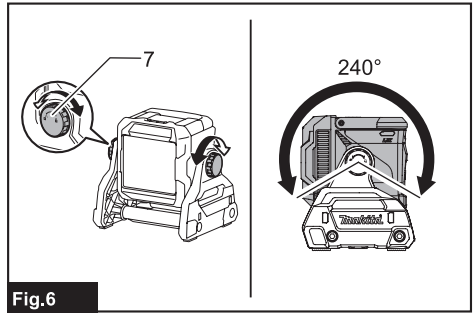
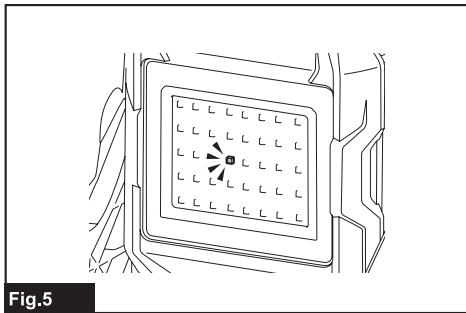
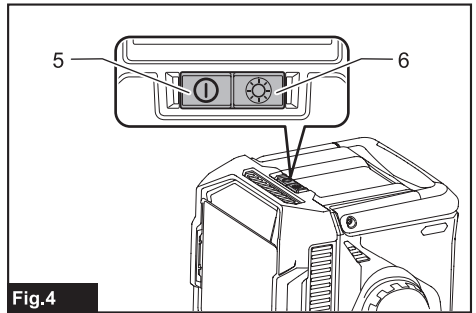
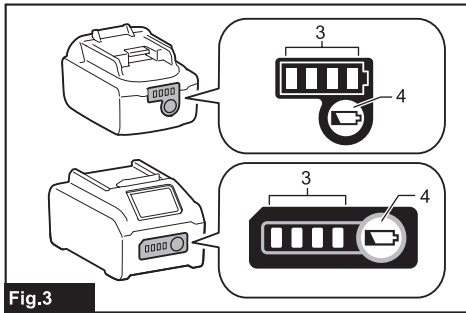
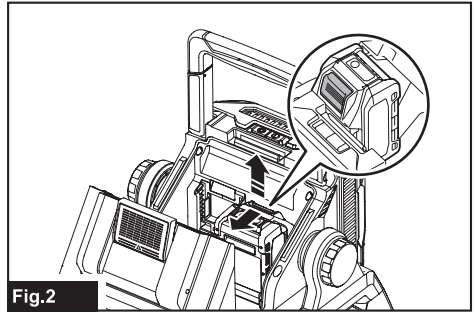
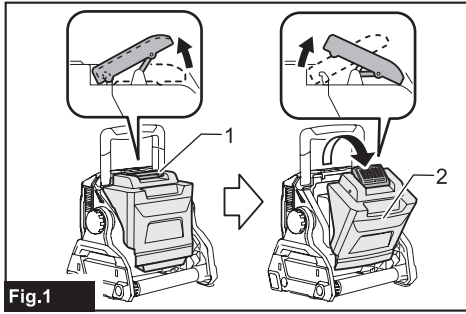


ML005G

EN	Cordless Worklight	INSTRUCTION MANUAL
ESMX	Linterna de Trabajo Inalámbrica	MANUAL DE INSTRUCCIONES
ZHCN	充电式工作灯	使用说明书
ZHTW	充電式工作投光燈	使用說明書
ID	Lampu Kerja Tanpa Kabel	PETUNJUK PENGGUNAAN
MS	Lampu Kerja Tanpa Kord	MANUAL ARAHAN
VI	Đèn Công Trường Hoạt Động Bằng Pin	TÀI LIỆU HƯỚNG DẪN
TH	ไฟทำงานแบบไร้สาย	คู่มือการใช้งาน
KO	충전 LED 랜턴	취급 설명서

ML005G





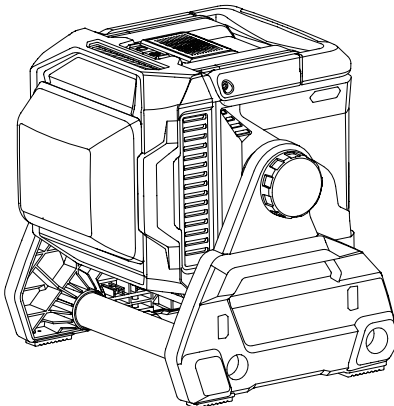
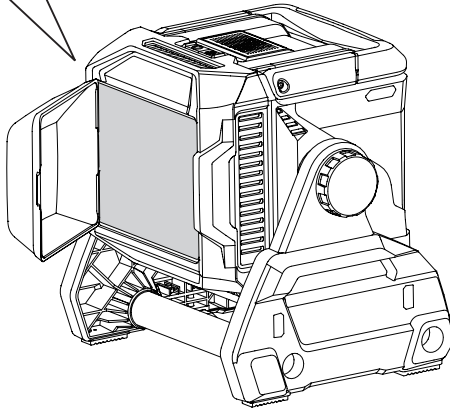
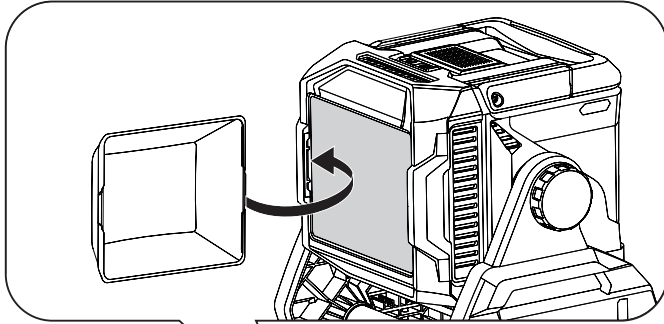


Fig.9

ENGLISH (Original instructions)

Explanation of general view

- | | | |
|-----------------|------------------|------------------------------|
| 1. Cover lock | 2. Battery cover | 3. Indicator lamps |
| 4. Check button | 5. Switch | 6. Brightness mode selection |
| 7. Knob | | |

SPECIFICATIONS

Model	ML005G
LED	40 pcs
Power source	14.4/18/36 V DC
Dimensions (L × W × H)	248 mm × 309 mm × 296 mm
Net weight	4.6 kg
Pressure receiving area	0.07 m ²
Protection degree	IP65

- Specifications may differ from country to country.
- The dimensions are with the handle lowered position.
- The weight does not include battery cartridge.
- Due to our continuing program of research and development, the specifications herein are subject to change without notice.

Applicable battery cartridge and operating time

Voltage	Applicable battery cartridge	Operating time (Approximately)		
		High	Medium	Low
14.4 V	BL1415N	0.5 hours	1.1 hours	2.3 hours
	BL1430B	0.8 hours	1.8 hours	3.5 hours
	BL1440	1.3 hours	2.9 hours	5.9 hours
	BL1460B	1.7 hours	3.8 hours	7.5 hours
18 V	BL1815N	0.7 hours	1.5 hours	3.0 hours
	BL1820B	0.9 hours	2.0 hours	3.5 hours
	BL1830B	1.3 hours	2.7 hours	5.5 hours
	BL1840B	1.8 hours	3.5 hours	7.5 hours
	BL1850B	2.3 hours	4.5 hours	10 hours
	BL1860B	2.7 hours	5.5 hours	12 hours
36 V	BL4020	1.7 hours	3.5 hours	7.0 hours
	BL4025	2.2 hours	4.5 hours	9.5 hours
	BL4040	3.5 hours	7.5 hours	15 hours
	BL4050F	4.0 hours	9.5 hours	18 hours
	BL4080F	7.0 hours	15 hours	30 hours

- Some of the battery cartridges listed above may not be available depending on your region of residence.
- Operating times may differ depending on battery type, charging status, and usage condition.

⚠ WARNING: Only use the battery cartridges listed above. Use of any other battery cartridges may cause injury and/or fire.

Symbols

The following show the symbols used for the equipment. Be sure that you understand their meaning before use.



- Read instruction manual.



- Only for EU countries Due to the presence of hazardous components in the equipment, waste electrical and electronic equipment, accumulators and batteries may have a negative impact on the environment and human health. Do not dispose of electrical and electronic appliances or batteries with household waste! In accordance with the European Directive on waste electrical and electronic equipment and on accumulators and batteries and waste accumulators and batteries, as well as their adaptation to national law, waste electrical equipment, batteries and accumulators should be stored separately and delivered to a separate collection point for municipal waste, operating in accordance with the regulations on environmental protection. This is indicated by the symbol of the crossed-out wheeled bin placed on the equipment.



- Optical Radiation (UV and IR). Minimize exposure to eyes or skin.



- Do not stare at operating lamp.



- Use appropriate shielding or eyes protection.



- Take particular care and attention!

IMPORTANT SAFETY INSTRUCTIONS

⚠ WARNING: When using appliances, basic safety precautions should always be followed to reduce the risk of fire, electric shock, and personal injury, including the following:

READ ALL INSTRUCTIONS.

1. Do not look into the light, or do not expose the light to eyes. Eyes may be damaged.
2. Do not cover the lamp with cloth or carton, etc. Otherwise it may cause a flame.
3. Do not expose it to rain or snow. Do not wash it in water.
4. Do not touch the inside of the appliance with tweezers, metal tools, etc.
5. When the appliance is not in use, always switch off and remove the battery cartridge from the appliance.
6. Do not give the appliance a shock by dropping, striking, etc.
7. Safety information for portable luminaires with batteries.
8. Additional information for luminaires.
 - The light source of this luminaire is not replaceable; when the light source reaches its end of life the whole luminaire shall be replaced.
9. Battery tool use and care.
 - **WARNING:** Read all safety warnings and instructions. Failure to follow the warnings and instructions may result in electric shock, fire and/or serious injury.
 - Prevent unintentional starting. Ensure the switch is in the off-position before connecting to battery pack, picking up or carrying the appliance. Carrying the appliance with your finger on the switch or energizing appliance that have the switch on invites accidents.
 - Disconnect the battery pack from the appliance before making any adjustments, changing accessories, or storing appliance. Such preventive safety measures reduce the risk of starting the appliance accidentally.
 - Recharge only with the charger specified by the manufacturer. A charger that is suitable for one type of battery pack may create a risk of fire when used with another battery pack.
 - Use appliances only with specifically designated battery packs. Use of any other battery packs may create a risk of injury and fire.
 - When battery pack is not in use, keep it away from other metal objects, like paper clips, coins, keys, nails, screws or other small metal objects, that can make a connection from one terminal to another. Shorting the battery terminals together may cause burns or a fire.
 - Under abusive conditions, liquid may be ejected from the battery; avoid contact. If contact accidentally occurs, flush with water. If liquid contacts eyes, additionally seek medical help. Liquid ejected from the battery may cause irritation or burns.
 - Do not use a battery pack or appliance that is damaged or modified. Damaged or modified batteries may exhibit unpredictable behavior resulting in fire, explosion or risk of injury.
 - Do not expose a battery pack or appliance to fire or excessive temperature. Exposure to fire or temperature above 130 °C (265 °F) may cause explosion.
 - Follow all charging instructions and do not charge the battery pack or appliance outside of the temperature range specified in the instructions. Charging improperly or at temperatures outside of the specified range may damage the battery and increase the risk of fire.
 - Have servicing performed by a qualified repair person using only identical replacement parts. This will ensure that the safety of the product is maintained.
 - Do not modify or attempt to repair the appliance or the battery pack except as indicated in the instructions for use and care.
10. Important safety instructions for battery cartridge.
 - Before using battery cartridge, read all instructions and cautionary markings on (1) battery charger, (2) battery, and (3) product using battery.
 - Do not disassemble or tamper the battery cartridge. It may result in a fire, excessive heat, or explosion.
 - If operating time has become excessively shorter, stop operating immediately. It may result in a risk of overheating, possible burns and even an explosion.

- If electrolyte gets into your eyes, rinse them out with clear water and seek medical attention right away. It may result in loss of your eyesight.
 - Do not short the battery cartridge.
 - Do not store and use the tool and battery cartridge in locations where the temperature may reach or exceed 50 °C (122 °F).
 - Do not nail, cut, crush, throw, drop the battery cartridge, or hit against a hard object to the battery cartridge. Such conduct may result in a fire, excessive heat, or explosion.
 - Do not use a damaged battery.
 - The contained lithium-ion batteries are subject to the Dangerous Goods Legislation requirements. For commercial transports e.g. by third parties, forwarding agents, special requirement on packaging and labeling must be observed. For preparation of the item being shipped, consulting an expert for hazardous material is required. Please also observe possibly more detailed national regulations. Tape or mask off open contacts and pack up the battery in such a manner that it cannot move around in the packaging.
 - Use the batteries only with the products specified by Makita. Installing the batteries to non-compliant products may result in a fire, excessive heat, explosion, or leak of electrolyte.
 - If the tool is not used for a long period of time, the battery must be removed from the tool.
 - During and after use, the battery cartridge may take on heat which can cause burns or low temperature burns. Pay attention to the handling of hot battery cartridges.
 - Do not touch the terminal of the tool immediately after use as it may get hot enough to cause burns.
 - Do not allow chips, dust, or soil stuck into the terminals, holes, and grooves of the battery cartridge. It may result in poor performance or breakdown of the tool or battery cartridge.
 - Unless the tool supports the use near high-voltage electrical power lines, do not use the battery cartridge near high-voltage electrical power lines. It may result in a malfunction or breakdown of the tool or battery cartridge.
 - Keep the battery away from children.
11. Tips for maintaining maximum battery life.
- Charge the battery cartridge before completely discharged.
Always stop tool operation and charge the battery cartridge when you notice less tool power.
 - Never recharge a fully charged battery cartridge.
Overcharging shortens the battery service life.
 - Charge the battery cartridge with room temperature at 10 °C - 40 °C (50 °F - 104 °F). Let a hot battery cartridge cool down before charging it.
 - When not using the battery cartridge, remove it from the tool or the charger.
 - Charge the battery cartridge if you do not use it for a long period (more than six months).

⚠ CAUTION: Only use genuine Makita batteries. Use of non-genuine Makita batteries, or batteries that have been altered, may result in the battery bursting causing fires personal injury and damage. It will also void the Makita warranty for the Makita tool and charger.

Save all warnings and instructions for future reference.

FUNCTIONAL DESCRIPTION

⚠ CAUTION:

- Always be sure that the appliance is switched off, and the battery cartridge is removed before adjusting or checking function on the appliance.

Installing or removing battery cartridge

⚠ CAUTION:

- **Hold the appliance and the battery cartridge firmly when installing or removing battery cartridge.**
Failure to hold the appliance and the battery cartridge firmly may cause them to slip off your hands and result in damage to the appliance and battery cartridge and a personal injury.
- Be careful not to trap finger(s) between the appliance and battery cartridge when loading battery cartridge as well as between the appliance and the battery cover when closing the battery cover.

To install the battery cartridge, release the cover lock, and open the battery cover. (**Fig. 1**) Insert the battery cartridge. Align the tongue on the battery cartridge with the groove in the housing and slip it into place. Insert it all the way until it locks in place with a little click. If you can see the red indicator on the upper side of the button, it is not locked completely. Then close the battery cover.
To remove the battery cartridge, slide it from the tool while sliding the button on the front of the cartridge. (**Fig. 2**)

⚠ CAUTION:

- Always install the battery cartridge fully in place. If not, it may accidentally fall out of the appliance, causing injury to you or someone around you.
- Do not install the battery cartridge forcibly. If the cartridge does not slide in easily, it is not being inserted correctly.

Indicating the remaining battery capacity (Fig. 3)

(Only for battery cartridges with the indicator)

Press the check button on the battery cartridge to indicate the remaining battery capacity. The indicator lamps light up for few seconds.

Indicator lamps			Remaining capacity
Lighted	Off	Blinking	
■ ■ ■ ■			75% to 100%
■ ■ ■ □			50% to 75%
■ ■ □ □			25% to 50%
■ □ □ □			0% to 25%
▣ □ □ □			Charge the battery.
■ ■ □ □ □ □ ■ ■ ↑ ↓			The battery may have malfunctioned.

NOTE:

- Depending on the conditions of use and the ambient temperature, the indication may differ slightly from the actual capacity.
- The first (far left) indicator lamp will blink when the battery protection system works.

Use of non-genuine Makita batteries, or batteries that have been altered, will void the Makita warranty for the Makita appliance and charger.

Turning on the light and brightness mode selection (Fig. 4)

- Switch: Press the switch once, the light turns on (At the same brightness mode as the last setting). Press the switch again, the light turns off.
- Brightness mode selection: Brightness sequence is: High mode / Medium mode / Low mode / High mode for each press when the light is on.

Battery protection system (Fig. 5)

The appliance is equipped with a battery protection system to extend battery life. When the battery becomes low, the LED lights go out except one LED as illustrated. Then approximately five to ten minutes later, the system automatically cuts off power.

Overheat protection

When the appliance or battery is overheated, the appliance automatically stops. Let the appliance cool down before turning it on again.

OPERATION

⚠ CAUTION:

- Always put the appliance on flat and stable place. Otherwise a falling accident may occur.

Adjusting the angle of the light (Fig. 6)

Loosen the knobs on the both side. Adjust the angle of the light (adjustment range is 240°). Then tighten the knobs again.

⚠ CAUTION:

Take care not to trap finger(s) when adjusting the angle of the light.

Sticking the anti-glare film (Fig. 8)

Optional accessory

- Before pasting the anti-glare film, remove dirt from the lens surface of the appliance.
- Use a spray bottle to thoroughly wet the lens of the appliance and the surface to which the anti-glare film is attached.
- Paste it in the center of the lens of the appliance.
- Use a squeegee or rubber spatula to push out air or water droplets between the film and the lens.
- After pasting, wipe off any water droplets with a dry cloth.

Installing the lampshade (Fig. 9)

Optional accessory

Hook the protrusion of the lampshade onto the notch of the appliance as illustrated.

Using with tripod (optional accessories)

⚠ CAUTION:

- Read carefully the instruction manuals of the accessories before using them with the light.
- You can put the light on the tripod to facilitate the operation. (Fig. 7)

⚠ CAUTION:

- Be careful not to drop the appliance when attaching the appliance on the tripod.
- Place the tripod on a level and stable surface to prevent from falling.
- Spread the legs of the tripod to the maximum.
- Do not use the tripod if the wind is strong.
- Make sure that the appliance is attached securely on the tripod.
- Remove the appliance when carrying the tripod or when folding the legs of the tripod.
- Be careful not to get your hand caught in the legs of the tripod when closing the tripod.

MAINTENANCE

⚠ CAUTION:

- Always be sure that the appliance is switched off, and the battery cartridge is removed before attempting to perform inspection or maintenance.
 - Never use gasoline, benzine, thinner, alcohol or the like. Discoloration, deformation or cracks may result.
- Only maintenance work described in this instruction manual may be performed by the user. Any other work must be carried out by Makita authorized service centers.

Cleaning

⚠ CAUTION:

- Never wash the appliance in water.
- From time to time wipe off the outside (appliance body) of the appliance using a cloth dampened in soapy water.

OPTIONAL ACCESSORIES

CAUTION:

- These accessories or attachments are recommended for use with your Makita appliance specified in this manual. The use of any other accessories or attachments might present a risk of injury to persons. Only use accessory or attachment for its stated purpose.

If you need any assistance for more details regarding these accessories, ask your local Makita service center.

- Makita genuine battery and charger
- Anti-glare film
- Lampshade
- Tripod [Part No: GM00002073]

NOTE:

- Some items in the list may be included in the appliance package as standard accessories. They may differ from country to country.

ESPAÑOL (Instrucciones originales)

Explicación de la vista general

1. Cerradura de la cubierta
4. Botón de verificación
7. Perilla

2. Tapa de la batería
5. Interruptor

3. Lámparas indicadores
6. Selección del modo de brillo

ESPECIFICACIONES

Modelo	ML005G
LED	40 pzs
Fuente de alimentación	14,4/18/36 V DC
Medidas (largo × ancho × altura)	248 mm × 309 mm × 296 mm
Peso neto	4,6 kg
Área de recepción de presión.	0,07 m ²
Grado de protección.	IP65

- Las especificaciones pueden diferir de un país a otro.
- Las medidas son con el mango en una posición hacia abajo.
- El peso no incluye el cartucho de la batería.
- Debido a nuestro programa continuo de investigación y desarrollo, las especificaciones en este documento están sujetas a cambios sin previo aviso.

Cartucho de batería y tiempo de funcionamiento correspondientes

Tensión	Cartucho de batería correspondiente	Tiempo de funcionamiento (aproximadamente)		
		Alto	Mediano.	Bajo
14,4 V	BL1415N	0,5 horas	1,1 horas	2,3 horas
	BL1430B	0,8 horas	1,8 horas	3,5 horas
	BL1440	1,3 horas	2,9 horas	5,9 horas
	BL1460B	1,7 horas	3,8 horas	7,5 horas
18 V	BL1815N	0,7 horas	1,5 horas	3,0 horas
	BL1820B	0,9 horas	2,0 horas	3,5 horas
	BL1830B	1,3 horas	2,7 horas	5,5 horas
	BL1840B	1,8 horas	3,5 horas	7,5 horas
	BL1850B	2,3 horas	4,5 horas	10 horas
	BL1860B	2,7 horas	5,5 horas	12 horas
36 V	BL4020	1,7 horas	3,5 horas	7,0 horas
	BL4025	2,2 horas	4,5 horas	9,5 horas
	BL4040	3,5 horas	7,5 horas	15 horas
	BL4050F	4,0 horas	9,5 horas	18 horas
	BL4080F	7,0 horas	15 horas	30 horas

- Es posible que algunos de los cartuchos de batería mencionados anteriormente no estén disponibles según su área de residencia.
- Los tiempos de funcionamiento pueden variar según el tipo de batería, el estado de la carga y las condiciones de uso.

⚠ ADVERTENCIA: utilice únicamente los cartuchos de batería mencionados anteriormente. El uso de cualquier otro cartucho de batería puede causar lesiones y/o incendio.

Símbolos

A continuación se muestran los símbolos utilizados para el equipo.

Asegúrese de entender su significado antes de su uso.



- Lea el manual de instrucciones.



- Sólo para países de la UE, debido a la presencia de componentes peligrosos en el equipo, de residuos eléctricos y equipo eléctrico, de acumuladores y baterías que pueden tener un impacto negativo en el medio ambiente y en la salud humana. ¡No desheche los aparatos eléctricos y electrónicos o baterías con la basura doméstica! De acuerdo con la Directiva Europea los residuos eléctricos y equipo electrónico y sobre los acumuladores y baterías y acumuladores de residuos y baterías, así como la adaptación a la ley nacional, los residuos de equipos eléctricos, baterías y acumuladores deben almacenarse por separado y ser entregados en un punto de recogida independiente, para residuos municipales, operando de acuerdo con las regulaciones de protección ambiental. Esto es indicado por el símbolo de tachado del contenedor con ruedas colocado en el equipo.



- Radiación óptica (UV e IR). Minimice la exposición a los ojos o la piel.



- No mire fijamente la lámpara cuando esté en funcionamiento.



- Utilice protección adecuada o protección ocular.



- ¡Preste especial atención!

INSTRUCCIONES DE SEGURIDAD IMPORTANTES

⚠️ ADVERTENCIA: Cuando utilice aparatos electrodomésticos, siempre se deben seguir las precauciones básicas de seguridad para reducir el riesgo de incendio, descarga eléctrica y lesiones personales, incluyendo lo siguiente:

LEA TODAS LAS INSTRUCCIONES.

1. No mire directamente a la luz ni apunte la luz a los ojos. Los ojos pueden lesionarse.
2. No cubra la lámpara con tela o cartón, etcétera. De lo contrario, podrían producirse llamas.
3. No la deje expuesta a la lluvia o la nieve. No la lave con agua.
4. No toque el interior del aparato con pinzas, herramientas metálicas, etc.
5. Cuando el aparato no esté en uso, apáguelo siempre y desconecte/retire el cartucho de batería del aparato.
6. No permita que el aparato se caiga, se golpee, etcétera.
7. Información de seguridad para luminarias portátiles con baterías.

- Deseche las baterías en conformidad con las reglas locales de eliminación de materiales peligrosos.
 - No queme la batería.
8. Información adicional para luminarias.
- La fuente de luz de esta luminaria no es reemplazable; cuando la fuente de luz llegue al final de su vida útil, se deberá sustituir toda la luminaria.
9. Usos y cuidados de la herramienta a batería.
- **ADVERTENCIA:** Lea todas las precauciones y las instrucciones de seguridad. No seguir las precauciones y las instrucciones podría dar como resultado una descarga eléctrica, un incendio y/o una lesión grave.
 - Evite el encendido involuntario. Asegúrese de que el interruptor esté en posición de apagado antes de conectar el paquete de baterías, recoger o transportar el aparato. Transportar el aparato con el dedo en el interruptor, o alimentar el aparato con el interruptor encendido puede causar accidentes.
 - Desconecte la batería del aparato antes de realizar cualquier ajuste, cambiar accesorios o almacenarlo. Estas medidas de seguridad preventivas reducen el riesgo de encender el aparato accidentalmente.
 - Recárguelo solo con el cargador especificado por el fabricante. Un cargador que es adecuado para determinado tipo de batería puede crear un riesgo de incendio cuando se utiliza con otra batería.
 - Utilice aparatos solo con baterías indicadas específicamente. El uso de cualquier otro paquete de baterías puede conllevar riesgo de lesiones e incendio.
 - Cuando la batería no esté en uso, manténgala alejada de otros objetos metálicos, como clips de papel, monedas, llaves, clavos, tornillos u otros objetos metálicos pequeños, que puedan crear una conexión de un terminal a otro. El cortocircuito de los terminales de la batería puede causar quemaduras o un incendio.
 - En condiciones de mal uso, de la batería puede salir líquido; evite el contacto. Si se produce un contacto accidental, enjuáguese con agua. Si el líquido entra en contacto con los ojos, busque además ayuda médica. El líquido que sale de la batería puede causar irritación o quemaduras.
 - No utilice una batería o un aparato que esté dañado o modificado. Las baterías dañadas o modificadas pueden tener un comportamiento impredecible que resulte en incendio, explosión o riesgo de lesiones.
 - No exponga una batería o un aparato al fuego o a una temperatura excesiva. La exposición al fuego o a una temperatura por encima de 130 °C (265 °F) puede causar una explosión.
 - Siga todas las instrucciones de carga y no cargue la batería o el aparato cuando se exceda el rango de temperatura especificado en las instrucciones. La carga incorrecta o a temperaturas fuera del rango especificado puede dañar la batería y aumentar el riesgo de incendio.
 - El mantenimiento debe ser realizado por un técnico calificado utilizando solo piezas de repuesto idénticas. Esto garantizará que se respete la seguridad del producto.
 - No modifique ni intente reparar el aparato o la batería, excepto como se indica en las instrucciones de uso y de cuidados.
10. Instrucciones de seguridad importantes para el cartucho de batería.
- Antes de usar el cartucho de batería, lea todas las instrucciones y marcas de precaución en (1) el cargador de la batería, (2) la batería y (3) el producto que usa la batería.
 - No desensamble o manipule el cartucho de la batería. Podría dar como resultado un incendio, calor excesivo o una explosión.
 - Si el tiempo de funcionamiento se ha vuelto excesivamente más corto, deje de operar el aparato de inmediato. Puede haber un riesgo de sobrecalentamiento, posibles quemaduras e incluso una explosión.

- Si el electrolito le entra en los ojos, enjuáguelos con agua limpia y busque atención médica de inmediato. Podría producirse pérdida de la visión.
- No provoque cortocircuitos en el cartucho de la batería.
- No almacene la herramienta ni el cartucho de la batería en lugares donde la temperatura pueda alcanzar o superar los 50 °C (122 °F).
- No clave, corte, apriete, arroje, deje caer el cartucho de la batería o golpee contra un objeto duro. Podría dar como resultado un incendio, calor excesivo o una explosión.
- No utilice una batería dañada.
- Las baterías de iones de litio contenidas están sujetas a los requisitos de la legislación sobre mercancías peligrosas.
En los transportes comerciales, por ejemplo, por terceros, deben observarse requisitos especiales en el embalaje y el etiquetado. Para la preparación del artículo que se transporta, se requiere consultar a un experto en materiales peligrosos. Por favor, observe también las regulaciones nacionales que, posiblemente, sean más detalladas. Tape o enmascare los contactos abiertos y empaque la batería de tal manera que no pueda moverse en el embalaje.
- Utilice las baterías únicamente con los productos especificados por Makita. La instalación de las baterías en productos que incumplen las normas puede provocar incendios, calor excesivo, una explosión o una fuga de electrolitos.
- Si el aparato no se utiliza durante un largo período, la batería debe retirarse del aparato.
- Durante y después del uso, el cartucho de la batería podría calentarse y causar quemaduras o quemaduras de bajas temperaturas. Preste atención a la manipulación de cartuchos de baterías calientes.
- No toque el terminal de la herramienta inmediatamente después de usarla, porque podría estar suficientemente caliente como para quemar lo.
- No permita astillas, polvo o tierra atascada en los terminales, los orificios y las ranuras del cartucho de la batería. Podría dar como resultado bajo rendimiento o avería de la herramienta o el cartucho de la batería.
- A menos que la herramienta sea compatible con el uso cercano de líneas eléctricas de alto voltaje, no use el cartucho de la batería cerca de las líneas eléctricas de alto voltaje. Podría dar como resultado una falla o una avería de la herramienta o el cartucho de la batería.
- Mantenga la batería fuera del alcance de los niños.
- 11. Consejos para conservar la máxima duración de la batería.
- Cargue el cartucho de la batería antes de que se descargue por completo.
Detenga siempre el funcionamiento de la herramienta y cargue el cartucho de la batería cuando observe menos potencia en la herramienta.
- Nunca recargue un cartucho de batería completamente cargado.
La sobrecarga acorta la vida útil de la batería.
- Cargue el cartucho de la batería a temperatura ambiente a 10 °C - 40 °C (50 °F - 104 °F). Si el cartucho de batería está caliente permita que se enfríe antes de cargarlo.
- Cuando no use el cartucho de la batería, retírelo de la herramienta o el cargador.
- Cargue el cartucho de batería si no lo utiliza durante un período prolongado (más de seis meses).

⚠ PRECAUCIÓN: Use únicamente las baterías originales Makita. El uso de baterías Makita no originales, o de baterías que se hayan alterado, puede causar la explosión de la batería, incendios, lesiones personales y daños. También anulará la garantía de Makita para la herramienta y el cargador.

Guarde todas las advertencias e instrucciones para futuras referencias.

DESCRIPCIÓN FUNCIONAL

⚠ PRECAUCIÓN:

• Asegúrese siempre de que el aparato esté apagado y de que el cartucho de la batería se haya extraído antes de ajustar o comprobar la función del aparato.

Instalación o extracción del cartucho de la batería

⚠ PRECAUCIÓN:

- **Sujete firmemente el aparato y el cartucho de batería al instalar o extraer el cartucho de batería.**
Si no se sujeta el aparato y el cartucho de la batería firmemente, es posible que se les escape de las manos y se dañen el aparato y el cartucho de la batería y se produzca una lesión personal.
- Tenga cuidado de que no queden atrapados los dedos entre el aparato y el cartucho de la batería al cargar el cartucho de la batería, ni tampoco entre el aparato y la tapa de la batería al cerrar la tapa de la batería.

Para instalar el cartucho de batería, libere el bloqueo de la cubierta y abra la tapa de la batería. (**Fig. 1**) Inserte el cartucho de la batería. Alinee el pestillo del cartucho de batería con la ranura de la carcasa y deslícela en su lugar. Insértela hasta que quede fija en su lugar y escuche un breve clic. Si puede ver el indicador rojo en la parte superior del botón, no está completamente fija. A continuación, cierre la tapa de la batería.



















Para extraer el cartucho de batería, deslícelo de la herramienta mientras desliza el botón en la parte frontal del cartucho. (**Fig. 2**)

⚠ PRECAUCIÓN:

- Siempre instale el cartucho de batería completamente en su lugar. Si no es así, puede caerse accidentalmente del aparato, lo que le causará lesiones a usted o a alguien cercano.
- No instale el cartucho de batería por la fuerza. Si el cartucho no se desliza fácilmente, no se está insertando correctamente.

Indicación de la capacidad restante de la batería (Fig. 3)

(Solo para cartuchos de batería con el indicador)
Pulse el botón de verificación del cartucho de batería para indicar la capacidad restante de la batería. Las luces indicadoras se encienden durante unos segundos.

Lámparas indicadoras			Capacidad restante
 Iluminado	 Apagado	 Parpadear	
			75 % a 100 %
			50 % a 75 %
			25 % a 50 %
			0 % a 25 %
			Cargue la batería.
 	 	 	Es posible que la batería no haya funcionado correctamente.

NOTA:

- Dependiendo de las condiciones de uso y la temperatura ambiente, la indicación puede diferir levemente de la capacidad real.
- La primera lámpara indicadora (en el extremo izquierdo) parpadeará cuando funcione el sistema de protección de la batería.

El uso de baterías Makita no originales, o de baterías que hayan sido alteradas, anulará la garantía de Makita para el aparato y el cargador.

Encendido de la luz y selección del modo de brillo (Fig. 4)

- Interruptor: pulse el interruptor una vez, la luz se enciende (en el mismo modo de brillo que el último ajuste). Presione el interruptor de nuevo, la luz se apaga.
- Selección del modo de brillo: La secuencia de brillo es: Modo alto / Modo medio / Modo bajo / Modo alto para cada pulsación cuando la luz está encendida.

Sistema de protección de la batería (Fig. 5)

El aparato está equipado con un sistema de protección de la batería para prolongar la duración de la batería. Cuando la batería está baja, las luces LED se apagan excepto un LED, tal como se ilustra. Luego, aproximadamente cinco a diez minutos más tarde, el sistema corta automáticamente la alimentación.

Protección contra el sobrecalentamiento.

Cuando el aparato o la batería se sobrecalienta, el aparato se detiene automáticamente. Deje que el aparato se enfríe antes de volver a encenderlo.

OPERACIÓN

⚠ PRECAUCIÓN:

- Coloque siempre el aparato en un lugar plano y estable. De lo contrario, puede producirse un accidente por una caída.

Ajuste del ángulo de la luz (Fig. 6)

Aloje las perillas de ambos lados. Ajuste el ángulo de la luz (el rango de ajuste es de 240°). A continuación, ajuste las perillas de nuevo.

⚠ PRECAUCIÓN:

Tenga cuidado de no quedar con los dedos atrapados al ajustar el ángulo de la luz.

Pegar la película antideslumbrante (Fig. 8)

Accesorios opcionales

- Antes de pegar la película antideslumbrante, elimine la suciedad de la superficie de la lente del aparato.
- Use una botella de spray para humedecer completamente el lente del equipo y la superficie a la que está adherida la película antideslumbrante.
- Péguelo en el centro del lente del aparato.
- Utilice una escobilla de goma o una espátula de goma para expulsar las gotas de aire o agua entre la película y la lente.
- Después de pegar, limpie las gotas de agua con un paño seco.

Instalación de la pantalla de la lámpara (Fig. 9)

Accesorios opcionales

Enganche el saliente de la pantalla de la lámpara el notch del aparato como se muestra en la ilustración.

Uso con trípode (accesorios opcionales)

⚠ PRECAUCIÓN:

- lea atentamente los manuales de instrucciones de los accesorios antes de usarlos con la linterna.
- Puede poner la linterna en el trípode para facilitar la operación. (Fig. 7)

⚠ PRECAUCIÓN:

- Tenga cuidado de no dejar caer el aparato al conectarlo en el trípode.
- Coloque el trípode sobre una superficie nivelada y estable para evitar que se caiga.
- Extiende las patas del trípode al máximo.
- No utilice el trípode si el viento es fuerte.
- Asegúrese de que el aparato esté bien fijado en el trípode.
- Retire el aparato cuando lleve el trípode o cuando doble las patas del trípode.
- Tenga cuidado de que su mano no quede atrapada en las patas del trípode al cerrarlo.

MANTENIMIENTO

⚠ PRECAUCIÓN:

- Asegúrese siempre de que el aparato esté apagado y de que el cartucho de batería se retire antes de intentar realizar una inspección o mantenimiento.
- Nunca use gasolina, benceno, diluyente, alcohol o productos similares. Pueden producirse decoloración, deformación o grietas.

El usuario solo puede realizar el trabajo de mantenimiento descrito en este manual de instrucciones. Cualquier otro trabajo debe ser realizado por los centros de servicio autorizados de Makita.

Limpieza

PRECAUCIÓN:

- Nunca lave el aparato con agua.
- De vez en cuando limpie el exterior (cuerpo del aparato) con un paño humedecido en agua con jabón.

ACCESORIOS OPCIONALES

PRECAUCIÓN:

- Estos accesorios se recomiendan para su uso con su aparato Makita especificado en este manual. El uso de cualquier otro accesorio podría representar un riesgo de lesiones a las personas.
- Utilice únicamente los accesorios para el propósito indicado.

Si necesita ayuda para obtener más detalles con respecto a estos accesorios, pregunte a su centro de servicio local de Makita.

- Batería y cargador genuinos de Makita
- Película antideslumbrante
- Pantalla de lámpara
- Trípode [N.º de pieza: GM00002073]

NOTA:

- Algunos elementos de la lista pueden incluirse en el embalaje del aparato como accesorios estándares. Pueden diferir de un país a otro.

外观说明

- | | | |
|---------|--------|-----------|
| 1. 盖锁 | 2. 电池盖 | 3. 指示灯 |
| 4. 检查按钮 | 5. 开关 | 6. 亮度模式选择 |
| 7. 旋钮 | | |

规格

型号	ML005G
LED	40
电源	14.4/18/36 V 直流
尺寸（长 × 宽 × 高）	248 mm × 309 mm × 296 mm
净重	4.6 kg
承压面积	0.07 m ²
防护等级	IP65

- 规格可能因国家 / 地区而有所不同。
- 尺寸为降下手柄位置的尺寸。
- 重量不包括电池盒。
- 由于我们仍在持续研发，本说明书中的规格如有变更，恕不另行通知。

适用的电池盒和使用时间

电压	适用的电池盒	使用时间（大约）		
		高	中	低
14.4 V	BL1415N	0.5 小时	1.1 小时	2.3 小时
	BL1430B	0.8 小时	1.8 小时	3.5 小时
	BL1440	1.3 小时	2.9 小时	5.9 小时
	BL1460B	1.7 小时	3.8 小时	7.5 小时
18 V	BL1815N	0.7 小时	1.5 小时	3.0 小时
	BL1820B	0.9 小时	2.0 小时	3.5 小时
	BL1830B	1.3 小时	2.7 小时	5.5 小时
	BL1840B	1.8 小时	3.5 小时	7.5 小时
	BL1850B	2.3 小时	4.5 小时	10 小时
	BL1860B	2.7 小时	5.5 小时	12 小时
36 V	BL4020	1.7 小时	3.5 小时	7.0 小时
	BL4025	2.2 小时	4.5 小时	9.5 小时
	BL4040	3.5 小时	7.5 小时	15 小时
	BL4050F	4.0 小时	9.5 小时	18 小时
	BL4080F	7.0 小时	15 小时	30 小时

- 根据您所在居住地，上面列出的一些电池盒可能不可用。
- 根据电池类型、充电状态和使用情况，使用时间可能有所不同。

⚠警告：只能使用上面列出的电池盒。使用任何其他电池盒可能造成人身伤害和 / 或火灾。

符号

以下内容为用于设备的符号。
使用前请确保您已了解其含义。



- 阅读说明手册。



- 仅适用于欧盟国家。设备、废弃电气和电子设备、蓄电池及电池中存在有害成分，可能会对环境和人体健康产生负面影响。请勿将电气及电子设备或电池与生活垃圾一起丢弃！根据《关于废弃电气和电子设备、蓄电池和电池以及废弃蓄电池和电池的欧盟指令》及适用的相关国家法律，废弃电气设备，电池和蓄电池应分开储存，并投放至单独的城市废物收集点，按照环境保护法规进行处理。



上述要求用设备上的垃圾桶画叉符号表示。



- 光辐射（UV 和 IR）。
尽量避免接触眼睛或皮肤。



- 请勿直视亮起的工作灯。



- 采用适当的防护或眼睛保护措施。



- 请特别小心注意！

重要安全说明

△警告：在使用设备时，应始终遵循基本的安全预防措施，以降低火灾、电击和人身伤害风险，包括：

阅读所有说明。

1. 不要直视光线，避免光线接触眼睛。眼睛可能会受损。
2. 不要用布或纸箱等盖住灯具，否则可能导致起火。
3. 不要将其暴露在雨雪中。不要在水中清洗。
4. 不要用镊子、金属工具等接触设备的内部。
5. 当设备不使用时，请始终关闭，并从设备中卸下电池盒。
6. 不要掉落或击打设备等使其震动。
7. 带电池的便携灯具的安全信息。

- 电池处置应符合当地有关危险品处理的规定。
 - 不要焚烧电池。
8. 灯具的附加信息。
- 该灯具的光源不可更换；当光源达到其使用寿命时，应更换整个灯具。
9. 电池工具的使用和维护。
- 警告：阅读所有安全警告和说明。若不遵循警告和说明，则可能导致电击、起火和 / 或严重的人身伤害。
 - 防止意外启动。在连接电池组、拿起或搬运设备之前，确保开关处于关闭位置。搬运设备时手指放在开关上，或对打开设备的通电开关会引发事故。
 - 在进行任何调节、更换附件或贮存设备之前，必须从设备上拔掉电池组。这种防护性的安全措施降低了设备意外起动的风险。
 - 仅使用制造商指定的充电器重新充电。将适用于某种类型电池组的充电器与其他电池组一起使用时可能会产生火灾危险。
 - 设备只能与指定的电池组一起使用。使用任何其他电池组可能会造成人身伤害和火灾的危险。
 - 当电池组不使用时，请使其远离其他金属物品，如回形针、硬币、钥匙、钉子、螺丝或其他小金属物，这些金属物可以连通一个端子与另一个端子。将电池端子短接在一起可能导致灼伤或火灾。
 - 在恶劣条件下，液体可能会从电池中喷出，请不要接触。如果意外接触，请用水冲洗。如果液体接触眼睛，请另外寻求医疗帮助。从电池中喷出的液体可能会引起刺激或灼伤。
 - 不要使用损坏或改装的电池组或设备。损坏或改装的电池可能表现出不可预测的特性，导致火灾、爆炸或受伤的危险。
 - 不要将电池组或设备暴露于火中或温度过高的环境下。暴露在火中或 130°C (265°F) 以上的温度下会引起爆炸。
 - 请遵循所有充电指示，不要在说明书规定的温度范围之外为电池组或设备充电。充电不当或温度超出规定范围可能会损坏电池并增加火灾风险。
 - 由专业维修人员使用同样的备件进行修理。这样将确保所维修的产品的安全性。
 - 除非使用和注意事项中另有说明，否则不要改装或尝试修理设备或电池组。

10. 电池盒的重要安全说明。

- 在使用电池盒之前, 请阅读 (1) 电池充电器、(2) 电池和 (3) 使用电池的的产品上的所有说明和警告标记。
 - 不要拆卸或篡改电池盒, 否则可能导致火灾、过热或爆炸。
 - 如果使用时间变得过短, 请立即停止使用。它可能导致过热、可能造成灼伤甚至爆炸的危险。
 - 如果电解液进入眼睛, 请用清水冲洗, 然后立即寻求医疗帮助。它可能会导致视力丧失。
 - 不要使电池盒短路。
 - 不要在温度可能达到或超过 50°C (122°F) 的地方存放和使用工具和电池盒。
 - 不要钉钉子、切割、挤压、投掷、掉落电池盒或用硬物撞击电池盒。此类行为可能导致火灾、过热或爆炸。
 - 不要使用损坏的电池。
 - 所含锂离子电池须符合危险品法规要求。对于第三方、货运代理等商业运输, 必须遵守包装和标签方面的特殊要求。准备装运物品时, 请咨询危险品专家。另外, 请遵守可能更详细的国家条例。用胶带粘上或盖住开口的触点, 并将电池打包, 使其不能在包装中移动。
 - 电池只能与牧田公司指定的产品一起使用。将电池安装到不符合要求的产品中, 可能会导致火灾、过热、爆炸或电解液泄漏。
 - 如果很长时间不使用工具, 则必须将电池从工具中取出。
 - 在使用期间和使用后, 电池盒可能变热, 导致灼伤或低温灼伤。请小心处理热电池盒。
 - 在使用工具后, 不要直接触摸工具端子, 否则可能因过热而导致灼伤。
 - 不要让碎屑、灰尘或尘土堆积在电池盒的端子、孔或凹槽中, 否则可能导致工具或电池盒性能不佳或击穿。
 - 除非工具能够支持在高压电源线附近使用, 否则不得在高压电源线附近使用电池盒。否则可能导致工具或电池盒故障或击穿。
 - 将电池保存在远离儿童的地方。
- ## 11. 电池保持最长使用寿命的技巧。
- 在电池盒完全放电之前给电池盒充电。当注意到工具电量较低时, 务必停止工具操作并给电池盒充电。
 - 切勿对充满电的电池盒重新充电。过充会缩短电池的使用寿命。

- 在 10°C-40°C (50°F-104°F) 的室温下给电池盒充电。充电前让热电池盒冷却。
- 在不使用电池盒时, 请从工具或充电器上拆下电池盒。
- 如果长时间不使用电池盒 (超过六个月), 请给电池盒充电。

△注意: 必须使用原装的牧田电池。使用非原装的牧田电池或经过改装的电池可能导致电池爆裂, 造成火灾、人身伤害和损坏。它还将使牧田工具和充电器的保修服务失效。

保存所有警告和说明书以备查阅。

功能描述

△注意:

- 在调整或检查设备的功能之前, 请务必确保设备关闭并卸下电池盒。

安装或卸下电池盒

△注意:

- 安装或卸下电池盒时, 请牢牢握住设备和电池盒。
如果没有牢牢握住设备和电池盒, 可能会导致它们从手上滑落, 从而损坏设备和电池盒并造成人身伤害。
- 装入电池盒时, 小心不要将手指夹在设备和电池盒之间; 关闭电池盖时, 小心不要将手指夹在设备和电池盖之间。

要安装电池盒, 请松开盖锁, 然后打开电池盖。(Fig. 1)

插入电池盒。将电池盒上的舌片与外壳中的凹槽对齐, 并将其滑入到位。将其全部插入, 直到轻轻一按锁定到位。如果看到按钮上方的红色指示灯点亮, 则说明并没有完全锁定。然后关闭电池盖。

要卸下电池盒, 请将其从工具中滑出, 同时滑动电池盒前面的按钮。(Fig. 2)

△注意:

- 务必将电池盒完全安装到位。否则, 电池盒可能会意外从设备中掉出, 对您或您周围的人造成人身伤害。
- 不要强行安装电池盒。如果电池很难滑入, 则说明没有正确插入。

电池剩余容量指示 (Fig. 3)

(仅适用于装有指示灯的电池盒)

按下电池盒上的检查按钮可显示剩余的电池容量。指示灯会亮几秒钟。

指示灯			剩余容量
亮起	关闭	闪烁	
■	□	▧	75% - 100%
■	■	■	50% - 75%
■	■	□	25% - 50%
■	□	□	0% - 25%
▧	□	□	给电池充电。
■	■	□	电池可能有故障。
□	□	■	

注:

- 根据使用条件和环境温度，指示信息可能与实际容量略有不同。
- 在电池保护系统工作时，第一个（最左边）指示灯将闪烁。

使用非原装的牧田电池或经过改装的电池将导致牧田设备和充电器的保修服务失效。

开灯及亮度模式选择 (Fig. 4)

1. 开关：按一下开关，灯就会亮起（采用上次设置的亮度模式）。再按一下开关，灯就会关闭。
2. 亮度模式选择：当灯亮时，每按一次，亮度顺序为：高级模式 / 中模式 / 低模式 / 高级模式。

电池保护系统 (Fig. 5)

设备配备有电池保护系统，以延长电池寿命。当电池电量不足时，只有一个 LED 亮起，其余 LED 灯熄灭，如图所示。然后大约五到十分钟后，系统自动切断电源。

过热保护

设备或电池过热时，设备会自动停机。待设备冷却后再重新开机。

操作

△注意:

- 务必将设备放置在稳定的平面上。否则，可能会发生掉落事故。

调整灯光的角度 (Fig. 6)

拧松两边的旋钮。调整灯光的角度（调整范围为 240°）。然后再拧紧旋钮。

△注意:

在调整灯光的角度时，注意不要夹住手指。

粘贴防眩光膜 (Fig. 8)

可选附件

- 粘贴防眩光膜前，请清除设备透镜表面的污垢。
- 使用喷雾瓶彻底湿润设备透镜及防眩光膜粘附面。
- 将防眩光膜粘贴在设备透镜的中心。
- 使用刮板或橡胶抹刀将薄膜和透镜之间的空气或水滴排出。
- 贴紧后，用干布擦掉所有水滴。

安装灯罩 (Fig. 9)

可选附件

如图所示，将灯罩的突出部分钩住设备槽口。

使用三脚架（可选附件）

△注意:

- 在与灯一起使用之前，请仔细阅读附件的说明手册。
- 您可以把灯放在三脚架上，以便于操作。(Fig. 7)

△注意:

- 设备安装在三脚架上时，小心不要掉落。
- 将三脚架放置在稳定的水平面上，以防止掉落。
- 最大限度地展开三脚架的支腿。
- 如果风很大，请不要使用三脚架。
- 确保设备牢固地安装在三脚架上。
- 携带三脚架或折叠三脚架支腿时，请拆下设备。
- 在关闭三脚架时，小心不要把手夹在三脚架的支腿中。

维护

△注意:

- 在进行检查或维护之前，请务必确保关闭设备，并卸下电池盒。
- 请勿使用汽油、稀释剂、酒精等。否则可能导致变色、变形或裂纹。

用户只能执行本说明手册中描述的维护工作。任何其他工作必须由牧田公司授权的服务中心进行。

清洁

△注意：

- 切勿在水中清洗设备。
- 不时地用蘸有肥皂水的布擦拭设备的外部（设备主体）。

可选附件

△注意：

- 建议这些附件配合本手册中指定的牧田设备一起使用。使用任何其他附件都可能会对人员造成伤害。
- 这些附件只能用于其指定用途。

如果您需要更多有关这些附件的详细信息，请咨询当地的牧田公司服务中心。

- 牧田原装电池和充电器
- 防眩光膜
- 灯罩
- 三脚架 [部件编号：GM00002073]

注：

- 列表中的一些物品可能作为标准附件包含在设备包中。这些物品可能因国家 / 地区而有所不同。

1. 電池蓋鎖
4. 檢查按鈕
7. 旋鈕

2. 電池蓋
5. 開關

3. 指示燈
6. 亮度模式選擇

規格

型號	ML005G
LED	40 個
電源	14.4/18/36 V 直流
尺寸 (長 × 寬 × 高)	248 mm × 309 mm × 296 mm
淨重	4.6 kg
承壓面積	0.07 m ²
防護等級	IP65

- 各國家 / 地區的規格可能不同。
- 尺寸為把手平放時的尺寸。
- 重量不包括電池盒。
- 由於我們持續進行研發計畫，上述規格如有變更，恕不另行通知。

適用的電池盒與運作時間

電壓	適用的電池盒	運作時間 (估計值)		
		高	中	低
14.4 V	BL1415N	0.5 小時	1.1 小時	2.3 小時
	BL1430B	0.8 小時	1.8 小時	3.5 小時
	BL1440	1.3 小時	2.9 小時	5.9 小時
	BL1460B	1.7 小時	3.8 小時	7.5 小時
18 V	BL1815N	0.7 小時	1.5 小時	3.0 小時
	BL1820B	0.9 小時	2.0 小時	3.5 小時
	BL1830B	1.3 小時	2.7 小時	5.5 小時
	BL1840B	1.8 小時	3.5 小時	7.5 小時
	BL1850B	2.3 小時	4.5 小時	10 小時
	BL1860B	2.7 小時	5.5 小時	12 小時
36 V	BL4020	1.7 小時	3.5 小時	7.0 小時
	BL4025	2.2 小時	4.5 小時	9.5 小時
	BL4040	3.5 小時	7.5 小時	15 小時
	BL4050F	4.0 小時	9.5 小時	18 小時
	BL4080F	7.0 小時	15 小時	30 小時

- 您所在的區域可能無法取得上述的部分電池盒。
- 運作時間可能會因電池類型、充電狀態及使用情況而有不同。

⚠警告：請務必使用上方列出的電池盒。使用其他電池盒可能會導致受傷和 / 或火災。

符號

以下是本設備所使用的符號。

在使用前請務必了解這些符號的意義。



- 閱讀使用說明書。



- 僅適用於歐盟國家。設備、廢棄電氣和電子設備、蓄電池及電池中存在有害成分，可能會對環境和人體健康產生負面影響。請勿將電氣及電子設備或電池與生活垃圾一起丟棄！根據《關於廢棄電氣和電子設備、蓄電池和電池以及廢棄蓄電池和電池的歐盟指令》及適用的相關國家法律，廢棄電氣設備，電池和蓄電池應分開儲存，並投放至單獨的城市廢物收集點，按照環境保護法規進行處理。

上述要求用設備上的垃圾桶畫叉符號表示。



- 光輻射 (UV 和 IR)，
盡量避免接觸眼睛或皮膚。



- 請勿凝視運作中的燈具。



- 請使用適合的防護或護眼裝備。



- 請特別小心並注意！

重要安全指示

⚠ 警告：使用設備時應確實遵守基本安全預防措施，以減少火災、電擊及人身傷害的危險，包括以下項目：

閱讀所有說明。

1. 請勿直視燈光，請勿讓眼睛曝露在燈光中。否則眼睛可能會受傷。
2. 請勿在燈具上覆蓋布或紙箱等，否則可能會發生火災。
3. 請勿讓本設備曝露在雨中或雪中。請勿以水清洗本設備。
4. 請勿以鑷子、金屬工具等觸碰設備內部。
5. 不使用本設備時，務必關閉電源並從設備中取出電池盒。
6. 請勿使本設備因墜落、撞擊等而受到衝擊。
7. 帶有燈具的可攜式燈具安全資訊。

- 處置電池時應遵守當地有關處理危險物質的法規。
 - 請勿焚燒電池。
8. 燈具的其他資訊。
 - 該燈具的光源不可更換；當光源達到其使用壽命時，應更換整個燈具。
 9. 電池設備的使用和保養。
 - 警告：請閱讀所有安全警告和指示。若未遵循所有警告和指示，可能會造成觸電、火災和 / 或嚴重傷害。
 - 防止意外啓動。在連接電池組、拿起或搬運設備之前，請確認開關位於關閉位置。搬運設備時如果將手指放在開關上，或在開關位於開啓位置時供電給設備，都可能導致發生意外。
 - 進行任何調整、更換配件或存放設備之前，請從設備上斷開電池組的連接。上述預防性安全措施可降低意外啓動設備的風險。
 - 請務必以製造商指定的充電器進行充電。適用於特定類型電池組的充電器如果用於其它類型電池組，可能會有發生火災的風險。
 - 請務必使用專為本設備設計的電池組。使用其他電池組可能會導致受傷和火災。
 - 電池組未使用時，請使其遠離金屬物體，例如迴紋針、硬幣、鑰匙、釘子、螺絲或其他小型金屬物體，這些物體可能會導致兩個端子連通。電池端子如果短路，可能會導致燃燒或火災。
 - 在惡劣的條件下，液體可能會從電池中噴出；請避免接觸。如果意外接觸到，請用水沖洗。如果液體接觸到眼睛，請另行尋求醫療協助。從電池中噴出的液體可能會造成刺激或灼傷。
 - 請勿使用已損壞或改裝的電池組或設備。已損壞或改裝的電池可能出現不可預知的結果，進而導致起火、爆炸或受傷等風險。
 - 請勿使電池組或設備曝露於火焰中或使其過熱。曝露於火焰中或高於 130 °C (265 °F) 的溫度可能會引起爆炸。
 - 請遵守所有充電說明，並且請勿在說明書中指定的溫度範圍之外為電池組或設備充電。不正確的充電或在規定範圍之外的溫度下充電，可能會損壞電池並增加起火的危險。
 - 請由合格的維修人員進行維修，並且僅使用相同的替換零件。如此可確保產品的安全性。
 - 除了使用和保養說明中所述的項目之外，請勿修改或嘗試修理本產品或電池組。
 10. 電池盒的重要安全指示。
 - 在使用電池盒之前，請閱讀 (1) 電池充電器、(2) 電池和 (3) 使用電池的產品上的所有說明和警告標誌。
 - 請勿拆解或竄改電池盒，否則可能會導致起火、過熱或爆炸。
 - 如果可運作的時間變得非常短，請立即停止操作。否則可能會導致過熱、燒傷，甚至爆炸的風險。

- 如果電解液進入眼睛，請用清水沖洗並立即就醫。這種情況可能會導致喪失視力。
- 請勿使電池盒短路。
- 請勿將設備和電池盒存放在溫度可能達到或超過 50 °C (122 °F) 的位置，也請勿在上述環境中使用。
- 請勿對電池盒打釘、切割、擠壓、拋擲或摔落，或以堅硬物體撞擊電池盒，這類行為可能導致起火、過熱或爆炸。
- 請勿使用損壞的電池。
- 隨附的鋰離子電池符合「危險物品法規」的要求。若要進行商業運輸，例如第三方、貨運承攬商，必須注意包裝和標籤的特殊要求。準備將要運輸的物品時，必須諮詢危險物質專家，並請遵守可能更詳細的國家法規。用膠帶黏住或遮蓋暴露的接點，並包裹電池使其不會在包裝內移動。
- 請務必僅將電池用於 Makita 指定的產品。將電池安裝至不相容的產品上，可能會導致起火、過熱、爆炸或電解液洩漏。
- 如果長時間不使用設備，必須從設備中取出電池。
- 使用期間和使用之後，電池盒可能會發熱，這可能會導致燙傷或低溫灼傷。處理高溫的電池盒時，請特別小心。
- 請勿在使用之後立即觸碰設備的端子，因為其溫度可能會很高而導致燙傷。
- 請勿讓碎屑、灰塵或泥土卡在電池盒的端子、孔洞和凹槽中，否則可能會導致性能下降或造成設備或電池盒損壞。
- 除非設備支援在高壓電源線附近使用，否則請勿在高壓電源線附近使用電池盒，否則可能會導致工具或電池盒故障或損壞。
- 請將電池放置於兒童接觸不到的地方。
- 11. 有關維持最長電池壽命的提示。
 - 在電池完全放電之前，請為電池盒充電。發現設備電量不足時，請務必停止設備運作並為電池盒充電。
 - 請勿為已充滿電的電池盒充電。過度充電會縮短電池的使用壽命。
 - 請在 10 °C - 40 °C (50 °F - 104 °F) 的室溫中為電池盒充電。請讓高溫的電池盒冷卻後再充電。
 - 不使用電池盒時，務必將電池盒從設備或充電器中取出。
 - 如果電池盒將會長時間不使用 (超過六個月)，請將其充電。

⚠ 警告：只能使用原裝 Makita 電池。使用非原廠的 Makita 電池或改造過的電池可能會導致電池爆炸，引起火災、人身傷害和損壞。這也將使 Makita 設備和充電器的 Makita 保固失效。

請保留所有警告和指示，以供日後參考。

功能說明

⚠ 注意：

- 調整或檢查設備功能之前，請務必確認設備電源已關閉，並已取出電池盒。

安裝或取出電池盒

⚠ 注意：

- 安裝或取出電池盒時，請確實握住設備和電池盒。若未確實握住設備和電池盒，可能會從手中滑落，損壞設備和電池盒並造成人身傷害。

- 裝入電池盒時，請小心勿讓手指夾在設備和電池盒之間；關閉電池蓋時，請勿讓手指夾在設備和電池蓋之間。

若要安裝電池盒，請鬆開電池蓋鎖，然後打開電池蓋。

(Fig. 1)

插入電池盒。將電池盒上的榫片對準外殼上的凹槽，然後將其滑入到位。將它完全插入，直到鎖定到位並發出咔嚓聲。如果您看到按鈕上方的紅色指示燈亮起，表示未完全鎖定到位。然後關閉電池蓋。

若要取出電池盒，請滑動電池盒正面的按鈕，同時將電池盒從設備上滑出。(Fig. 2)

⚠ 注意：

- 務必將電池盒完整安裝到位。否則，它可能會意外掉出設備，對您或周圍的人造成傷害。
- 請勿強行安裝電池盒。如果無法輕易滑入電池盒，表示電池盒未正確插入。

指示剩餘電池容量 (Fig. 3)

(僅適用於帶有指示燈的電池盒)

按下電池盒上的檢查按鈕以顯示剩餘的電池容量。指示燈會亮起幾秒鐘。

指示燈			剩餘容量
亮起	熄滅	閃爍	
■ ■ ■ ■			75% 至 100%
■ ■ ■ □			50% 至 75%
■ ■ □ □			25% 至 50%
■ □ □ □			0% 至 25%
▣ □ □ □			為電池充電。
■ ■ □ □ ↓ ↑	□ □ ■ ■		電池可能已經故障。

注：

- 依據使用條件和環境溫度，指示的容量可能與實際容量略有不同。
- 當電池保護系統運作時，第一個（最左邊）指示燈將會閃爍。

使用非原廠的 Makita 電池或改造過的電池，將使得 Makita 設備和充電器的 Makita 保固失效。

打開燈光和亮度模式選擇 (Fig. 4)

- 開關：按下開關一次，指示燈亮起（與上次設定相同的亮度模式）。再次按下開關，指示燈熄滅。
- 亮度模式選擇：亮度依序為：指示燈亮起時，每次按下為高模式中模式 / 低模式 / 高模式。

電池保護系統 (Fig. 5)

本設備配備電池保護系統，以延長電池壽命。電池電量變低時，除了一個 LED 燈之外，其餘 LED 燈將會熄滅，如圖所示。然後大約五到十分鐘之後，系統會自動切斷電源。

過熱保護

設備或電池過熱時，設備會自動停機。待設備冷卻後再重新開機。

操作

△注意：

- 請務必將本設備放置在平坦且穩定的位置，否則可能導致墜落事故。

調整燈光角度 (Fig. 6)

鬆開兩側的旋鈕。調整燈光角度（調整範圍為 240°）。然後再次旋緊旋鈕。

△注意：

調整光線角度時，請注意不要夾住手指。

粘貼防眩光膜 (Fig. 8)

選購配件

- 粘貼防眩光膜前，請清除設備透鏡表面的污垢。
- 使用噴霧瓶徹底濕潤設備透鏡及防眩光膜粘附面。
- 將防眩光膜粘貼在設備透鏡的中心。
- 使用刮板或橡膠抹刀將薄膜和透鏡之間的空氣或水滴排出。
- 貼緊後，用幹布擦乾所有水滴。

安裝燈罩 (Fig. 9)

選購配件

如圖所示，將燈罩的突出部分鉤住設備槽口。

使用三腳架（選購配件）

△注意：

- 將配件用於本燈具之前，請仔細閱讀配件的使用說明書。

您可以將本燈具安裝在三腳架上以便於操作。(Fig. 7)

△注意：

- 將設備安裝在三腳架上時，請小心勿使設備掉落。
- 將三腳架放置在平坦且穩定的表面上以防止掉落。
- 將三腳架的支腳展開至最大幅度。
- 如果風勢很大，請勿使用三腳架。
- 請務必將設備牢固安裝在三腳架上。
- 攜帶三腳架或折疊三腳架的支腳時，請取下設備。
- 收摺三腳架時，請小心不要被三腳架的支腳夾住。

維護

△注意：

- 嘗試進行檢查或維護之前，請務必確認設備電源已關閉，並已取出電池盒。
- 切勿使用汽油、石油醚、稀釋劑、酒精或類似物品，否則可能會導致變色、變形或破裂。

使用者只能執行本使用說明書中的維護作業。其他任何工作都必須由 Makita 授權服務中心進行。

清潔

△注意：

- 切勿在水中清洗設備。
- 時常使用沾有肥皂水的布擦拭設備外部（設備主體）。

選購配件

△注意：

- 建議將這些配件或附件搭配本手冊中指定的 Makita 設備一起使用。使用其他配件或附件可能會導致人員受傷。
- 請務必將配件或附件用於其指定用途。

如需協助以取得有關這些配件的詳細資訊，請諮詢當地的 Makita 服務中心。

- Makita 原廠電池和充電器
- 防眩光膜
- 燈罩
- 三腳架 [零件編號：GM00002073]

注：

- 此列表中的某些項目可能為設備包裝中的標準配件。各國家 / 地區的配件可能不同。

台灣RoHS限用物質含有量標示
請掃描右方QR Code或參考下列網址：
<https://makita.com.tw/rohs/>



生產製造商名稱：Makita Corporation

進口商名稱：台灣牧田股份有限公司

電話：02-8601-9898 傳真機：02-8601-2266

地址：新北市 24459 林口區文化三路二段 798 號

BAHASA INDONESIA (Petunjuk Asli)

Penjelasan tentang tampilan umum

- | | | |
|-----------------------|--------------------|-----------------------------|
| 1. Kunci penutup | 2. Penutup baterai | 3. Lampu indikator |
| 4. Tombol pemeriksaan | 5. Sakelar | 6. Pemilihan mode kecerahan |
| 7. Kenop | | |

SPEKIFIKASI

Model	ML005G
LED	40 buah
Sumber daya	14,4/18/36 V DC
Dimensi (P × L × T)	248 mm × 309 mm × 296 mm
Berat bersih	4,6 kg
Area penerima tekanan	0,07 m ²
Tingkat perlindungan	IP65

- Spesifikasi mungkin berbeda-beda di setiap negara.
- Dimensinya adalah dengan posisi gagang yang diturunkan.
- Berat tidak termasuk cartridge baterai.
- Karena program riset dan pengembangan kami yang berkelanjutan, spesifikasi di sini dapat berubah tanpa pemberitahuan.

Kartrij baterai yang berlaku dan waktu pengoperasian

Voltase	Kartrij baterai yang berlaku	Waktu pengoperasian (Perkiraan)		
		Tinggi	Sedang	Rendah
14,4 V	BL1415N	0,5 jam	1,1 jam	2,3 jam
	BL1430B	0,8 jam	1,8 jam	3,5 jam
	BL1440	1,3 jam	2,9 jam	5,9 jam
	BL1460B	1,7 jam	3,8 jam	7,5 jam
18 V	BL1815N	0,7 jam	1,5 jam	3,0 jam
	BL1820B	0,9 jam	2,0 jam	3,5 jam
	BL1830B	1,3 jam	2,7 jam	5,5 jam
	BL1840B	1,8 jam	3,5 jam	7,5 jam
	BL1850B	2,3 jam	4,5 jam	10 jam
	BL1860B	2,7 jam	5,5 jam	12 jam
36 V	BL4020	1,7 jam	3,5 jam	7,0 jam
	BL4025	2,2 jam	4,5 jam	9,5 jam
	BL4040	3,5 jam	7,5 jam	15 jam
	BL4050F	4,0 jam	9,5 jam	18 jam
	BL4080F	7,0 jam	15 jam	30 jam

- Beberapa kartrij baterai yang tercantum di atas mungkin tidak tersedia tergantung wilayah domisili Anda.
- Waktu pengoperasian mungkin berbeda tergantung tipe baterai, status pengisian daya, dan kondisi pemakaian.

⚠ PERINGATAN: Gunakan hanya kartrij baterai yang tercantum di atas. Penggunaan kartrij baterai lainnya dapat menyebabkan cedera dan/atau kebakaran.

Simbol

Berikut ini menunjukkan simbol yang digunakan untuk peralatan ini.

Pastikan bahwa Anda memahami artinya sebelum menggunakan.



- Baca pedoman petunjuk.



- Hanya untuk negara UE karena adanya komponen berbahaya di dalam peralatan, limbah peralatan listrik dan elektronik, akumulator, dan baterai dapat berdampak negatif pada lingkungan dan kesehatan manusia. Jangan membuang peralatan listrik dan elektronik atau baterai dengan sampah rumah tangga! Sesuai dengan Arahan Eropa mengenai limbah peralatan listrik dan elektronik, dan akumulator, baterai, dan limbah akumulator dan baterai, serta adaptasinya dengan undang-undang negara, limbah peralatan listrik, baterai, dan akumulator harus disimpan secara terpisah dan dikirimkan ke titik pengumpulan yang terpisah untuk limbah kota, yang beroperasi sesuai dengan regulasi perlindungan lingkungan. Ini diindikasikan dengan simbol tempat sampah beroda yang disilang yang ada pada peralatan.



- Radiasi Optikal (UV dan IR). Kurangi paparan pada mata atau kulit.



- Jangan menatap lampu yang sedang menyala.



- Gunakan pelindung mata yang sesuai.



- Berhati-hatilah!

PETUNJUK KESELAMATAN PENTING

⚠ PERINGATAN: Saat menggunakan peralatan, pencegahan untuk keselamatan dasar harus selalu dipatuhi guna mengurangi risiko kebakaran, sengatan listrik, dan cedera pribadi, termasuk yang berikut ini:

BACA SEMUA PETUNJUK.

1. Jangan melihat ke lampu, atau jangan paparkan lampu ke mata. Mata dapat rusak.
2. Jangan tutupi lampu dengan kain atau karton, dll. Ini dapat menyebabkan kebakaran.
3. Jangan paparkan alat ini pada hujan atau salju. Jangan mencuci alat dengan air.
4. Jangan menyentuh bagian dalam peralatan dengan penjepit, alat logam, dll.
5. Saat peralatan tidak digunakan, selalu matikan dan lepaskan kartirj baterai dari peralatan.
6. Jangan guncang peralatan dengan menjatuhkannya, memukulnya, dll.
7. Informasi keamanan untuk luminer portabel dengan baterai.
- Pemuangan baterai harus sesuai dengan aturan setempat yang mengatur tentang pemuangan bahan berbahaya.
- Jangan menghancurkan baterai dengan cara membakarnya.
8. Informasi tambahan untuk luminer.
- Sumber cahaya dari luminer ini tidak dapat diganti; ketika sumber cahaya telah mencapai akhir masa pakainya, luminer harus diganti.
9. Penggunaan dan perawatan baterai alat.
- **PERINGATAN:** Baca semua peringatan dan petunjuk keselamatan. Kelalaian untuk mematuhi peringatan dan petunjuk dapat menyebabkan sengatan listrik, kebakaran, dan/atau cedera serius.
- Hindari menyalakan lampu secara tidak sengaja. Pastikan sakelar dalam posisi mati sebelum menyambungkan ke rangkaian baterai, mengangkat atau membawa peralatan. Membawa peralatan dengan jari Anda pada sakelar atau memberi energi pada peralatan yang sudah menyala dapat memicu kecelakaan.
- Lepaskan rangkaian baterai dari peralatan sebelum melakukan penyesuaian, mengganti aksesoris, atau menyimpan peralatan. Langkah keselamatan preventif tersebut mengurangi risiko hidupnya peralatan secara tidak sengaja.
- Isi daya hanya dengan pengisi daya yang ditentukan produsen. Pengisi daya yang sesuai untuk suatu tipe rangkaian baterai dapat memunculkan risiko kebakaran jika digunakan dengan rangkaian baterai lain.
- Gunakan peralatan hanya dengan rangkaian baterai yang dirancang khusus. Penggunaan rangkaian baterai lainnya dapat memunculkan risiko cedera dan kebakaran.
- Saat rangkaian baterai tidak digunakan, jauhkan dari benda logam lainnya, seperti penjepit kertas, koin, kunci, paku, sekrup, atau benda logam kecil lainnya, yang dapat menyambungkan dari satu terminal ke terminal lain. Korsleting pada terminal baterai secara bersamaan dapat menyebabkan luka bakar atau kebakaran.
- Dalam kondisi yang tidak semestinya, cairan bisa keluar dari baterai; hindari kontak. Jika terjadi sentuhan yang tidak disengaja, bilas dengan air. Jika air mengenai mata, carilah bantuan medis juga. Cairan yang keluar dari baterai dapat menyebabkan iritasi atau luka bakar.
- Jangan gunakan rangkaian baterai atau peralatan yang rusak atau dimodifikasi. Baterai yang rusak atau dimodifikasi dapat memunculkan reaksi yang tak terduga sehingga menyebabkan kebakaran, ledakan, atau risiko cedera.
- Jangan paparkan rangkaian baterai atau peralatan terhadap api atau suhu berlebih. Paparan terhadap api atau suhu di atas 130 °C (265 °F) dapat menyebabkan ledakan.
- Ikuti semua petunjuk pengisian daya dan jangan isi daya rangkaian baterai atau peralatan di luar rentang suhu yang ditentukan dalam petunjuk. Mengisi daya secara tidak tepat atau pada suhu di luar rentang yang ditentukan dapat merusak baterai dan meningkatkan risiko kebakaran.
- Mintalah teknisi yang berkualifikasi untuk melakukan servis menggunakan hanya suku cadang pengganti yang serupa. Hal ini akan menjamin terjaminnya keselamatan produk.
- Jangan memodifikasi atau mencoba memperbaiki peralatan atau rangkaian baterai kecuali sebagaimana dinyatakan dalam petunjuk penggunaan dan perawatan.
10. Petunjuk keselamatan penting untuk kartirj baterai.
- Sebelum menggunakan kartirj baterai, baca semua petunjuk dan tanda perhatian pada (1) pengisi daya

- baterai, (2) baterai, dan (3) produk yang menggunakan baterai.
- Jangan bongkar atau rusak kartrij baterai. Tindakan ini dapat menyebabkan kebakaran, panas berlebihan, atau ledakan.
 - Jika waktu pengoperasian menjadi terlalu pendek, segera hentikan pengoperasian. Risiko panas berlebih, kemungkinan luka bakar, dan bahkan ledakan bisa muncul.
 - Jika elektrolit masuk ke mata Anda, basuh dengan air bersih dan segera cari perawatan medis. Kemungkinan akibatnya adalah hilangnya pandangan Anda.
 - Jangan melakukan hubung singkat pada kartrij baterai.
 - Jangan simpan dan gunakan alat serta kartrij baterai di tempat yang suhunya dapat mencapai atau melebihi 50 °C (122 °F).
 - Jangan kikis, potong, hancurkan, lempar, jatuhkan kartrij baterai, atau memukulkannya pada benda keras. Tindakan tersebut dapat menyebabkan kebakaran, panas berlebihan, atau ledakan.
 - Jangan gunakan baterai yang rusak.
 - Baterai litium-ion yang disertakan tunduk pada persyaratan Peraturan Barang Berbahaya. Untuk transportasi komersial, seperti oleh pihak ketiga, agen pengiriman, persyaratan khusus tentang pengemasan dan pelabelan harus dipatuhi. Untuk menyiapkan item yang sedang dikirimkan, berkonsultasi dengan ahli tentang bahan berbahaya harus dilakukan. Patuhi juga peraturan nasional yang mungkin lebih terperinci. Plester atau selubungi bagian yang terbuka dan kemas baterai dengan cara yang tidak memungkinkan baterai bergerak di dalam kemasan.
 - Gunakan baterai hanya dengan produk yang ditentukan oleh Makita. Memasang baterai ke produk yang tidak sesuai dapat mengakibatkan kebakaran, panas berlebih, ledakan, atau bocornya elektrolit.
 - Jika alat tidak digunakan dalam waktu lama, baterai harus dilepas dari alat.
 - Selama dan setelah penggunaan, kartrij baterai dapat mengandung panas yang bisa menyebabkan luka bakar atau luka bakar ringan. Perhatikan penanganan kartrij baterai panas.
 - Jangan sentuh terminal alat tepat setelah penggunaan karena terminal menjadi cukup panas dan dapat menyebabkan luka bakar.
 - Jangan sampai ada kepingan, debu, atau tanah masuk dalam terminal, lubang, dan lekukan kartrij baterai. Hal ini dapat mengakibatkan kinerja yang buruk atau kerusakan alat atau kartrij baterai.
 - Kecuali alat mendukung penggunaan di dekat kabel listrik tegangan tinggi, jangan gunakan kartrij baterai di dekat kabel listrik tegangan tinggi. Hal ini dapat mengakibatkan malafungsi atau kerusakan alat atau kartrij baterai.
 - Jauhkan baterai dari anak-anak.
11. Saran untuk mempertahankan masa pakai baterai tetap maksimal.
- Isi daya kartrij baterai sebelum benar-benar habis. Selalu hentikan pengoperasian alat dan isi daya kartrij baterai saat Anda mendapati kekuatan alat yang lemah.
 - Jangan sekali-kali mengisi daya kartrij baterai yang penuh. Pengisian daya berlebihan mengurangi masa pakai baterai.
 - Isi daya kartrij baterai dengan suhu ruang di 10 °C - 40 °C (50 °F - 104 °F). Biarkan kartrij baterai yang panas berkurang suhunya sebelum diisi daya.

- Saat tidak menggunakan kartrij baterai, lepaskan dari peralatan atau pengisi daya.
- Isi daya kartrij baterai jika Anda tidak menggunakannya untuk waktu lama (lebih dari enam bulan).

⚠ PERHATIAN: Hanya gunakan baterai Makita asli. Penggunaan baterai Makita palsu, atau baterai yang sudah diubah, dapat menyebabkan baterai meledak, kebakaran, cedera pribadi, dan kerusakan. Selain itu, garansi Makita untuk alat dan pengisi daya Makita akan batal.

Simpanlah semua peringatan dan petunjuk untuk acuan di kemudian hari.

DESKRIPSI FUNGSIONAL

⚠ PERHATIAN:

- Selalu pastikan apakah peralatan dimatikan dan kartrij baterai dilepaskan sebelum menyesuaikan atau memeriksa fungsi peralatan.

Memasang atau melepas kartrij baterai

⚠ PERHATIAN:

- **Pegang erat-erat peralatan dan kartrij baterai saat memasang atau melepas kartrij baterai.** Kegagalan memegang erat-erat peralatan dan kartrij baterai dapat menyebabkan keduanya terlepas dari tangan Anda sehingga mengalami kerusakan dan Anda mengalami cedera.
- Berhati-hatilah agar jari Anda tidak terjepit antara peralatan dan kartrij baterai saat memasukkan kartrij baterai, juga antara peralatan dan penutup baterai saat menutup penutup baterai.

Untuk memasang kartrij baterai, lepas kunci penutup, lalu buka penutup baterai. (**Fig. 1**) Masukkan kartrij baterai. Sejajarkan lidah kartrij baterai dengan alur dalam tempatnya lalu pasang di posisinya. Masukkan terus hingga terkunci di posisinya dengan klik pelan. Jika Anda dapat melihat indikator merah di sisi atas tombol, kartrij tidak terkunci sepenuhnya. Lalu tutup penutup baterai. Untuk melepas kartrij baterai, geser dari alat sambil menggeser tombol di depan kartrij. (**Fig. 2**)

⚠ PERHATIAN:

- Selalu pasang cartridge baterai sepenuhnya pada tempatnya. Jika tidak, kartrij baterai dapat terlepas dari peralatan dan melukai Anda atau orang lain di sekitar Anda.
- Jangan pasang kartrij baterai secara paksa. Jika kartrij sulit dimasukkan berarti tidak dipasang dengan benar.

Menunjukkan sisa kapasitas baterai (Fig. 3)

(Hanya untuk kartrij baterai dengan indikator)
Tekan tombol pemeriksaan pada kartrij baterai untuk menunjukkan sisa kapasitas baterai. Lampu indikator menyala selama beberapa detik.

Lampu indikator				Kapasitas sisa
Menyala	Mati	Berkedip		
■	□	◐		75 % sampai 100 %
■	■	■	□	50 % sampai 75 %
■	■	□	□	25 % sampai 50 %
■	□	□	□	0 % sampai 25 %
◐	□	□	□	Isi daya baterai.
■	■	□	□	Baterai mungkin mengalami gangguan fungsi.
□	□	■	■	

CATATAN:

- Bergantung pada kondisi penggunaan dan suhu di sekitarnya, indikasi mungkin sedikit berbeda dari kapasitas sebenarnya.
- Lampu indikator pertama (paling kiri) akan berkedip saat sistem perlindungan baterai bekerja.

Penggunaan baterai Makita palsu atau baterai yang telah diubah akan membatalkan garansi Makita untuk peralatan dan pengisi daya Makita.

Menyalakan lampu dan pemilihan mode kecerahan (Fig. 4)

- Sakelar: Tekan sakelar satu kali, lampu akan menyala (Pada mode kecerahan yang sama seperti pengaturan terakhir). Tekan sakelar lagi, lampu akan mati.
- Pemilihan mode kecerahan: Urutan kecerahannya adalah: Mode tinggi / Mode sedang / Mode rendah / Mode tinggi untuk setiap penekanan tombol saat lampu menyala.

Sistem perlindungan baterai (Fig. 5)

Peralatan dilengkapi dengan sistem perlindungan baterai untuk memperpanjang masa pakai baterai. Saat baterai melemah, semua lampu LED mati kecuali satu LED seperti yang digambarkan. Lalu sekitar lima hingga sepuluh menit kemudian, sistem memutuskan daya secara otomatis.

Perlindungan panas berlebih

Ketika peralatan atau baterai terlalu panas, peralatan akan berhenti secara otomatis. Biarkan peralatan menjadi dingin sebelum menyalakannya lagi.

PENGOPERASIAN

⚠PERHATIAN:

- Selalu letakkan peralatan di tempat yang rata dan stabil. Jika tidak, alat bisa terjatuh.

Menyesuaikan sudut lampu (Fig. 6)

Longgarkan kenop di kedua sisi. Sesuaikan sudut lampu (rentang penyesuaiannya adalah 240°). Lalu kencangkan kembali kenop.

⚠PERHATIAN:

Berhati-hatilah agar tangan tidak terjerit saat menyesuaikan sudut lampu.

Menempelkan film anti-silau (Fig. 8)

Aksesori opsional

- Sebelum menempelkan film anti-silau, bersihkan kotoran yang ada pada permukaan lensa peralatan.
- Gunakan botol penyemprot untuk membasahi lensa peralatan secara merata dan permukaan di mana film anti-silau akan dipasang.
- Tempelkan di tengah lensa peralatan.
- Gunakan squeegee atau spatula karet untuk mendorong udara atau tetesan air yang ada di antara film dan lensa.
- Setelah menempelkan, seka tetesan air dengan kain kering.

Memasang tudung lampu (Fig. 9)

Aksesori opsional

Kaitkan tonjolan tudung lampu ke takik peralatan seperti yang ditunjukkan pada gambar.

Penggunaan dengan tripod (aksesori opsional)

⚠PERHATIAN:

- Baca secara saksama pedoman petunjuk aksesori sebelum menggunakannya dengan lampu.
- Anda dapat memasang lampu pada tripod untuk memfasilitasi pengoperasian. (Fig. 7)

⚠PERHATIAN:

- Berhati-hatilah agar tidak menjatuhkan peralatan saat memasang peralatan pada tripod.
- Agar tidak terjatuh, selalu letakkan tripod di permukaan yang rata dan stabil.
- Bentangkan kaki-kaki tripod hingga maksimal.
- Jangan gunakan tripod jika angin bertiup kencang.
- Pastikan peralatan dipasang dengan aman pada tripod.
- Lepaskan peralatan saat membawa tripod atau saat melipat kaki-kaki tripod.
- Saat menutup tripod, berhati-hatilah agar tangan Anda tidak terjepit kaki-kaki tripod.

PEMELIHARAAN

⚠PERHATIAN:

- Selalu pastikan apakah peralatan dimatikan dan kartrij baterai dilepaskan sebelum mencoba melakukan pemeriksaan atau pemeliharaan.
- Jangan sekali-kali gunakan bensin, tiner, alkohol, atau semacamnya. Perubahan warna, perubahan bentuk, atau keretakan bisa terjadi.

Hanya pekerjaan pemeliharaan yang dijelaskan dalam pedoman petunjuk ini yang boleh dilakukan oleh pengguna. Pekerjaan lainnya harus dilakukan oleh pusat layanan resmi Makita.

Pembersihan

⚠️ PERHATIAN:

- Jangan sekali-kali mencuci peralatan dengan air. Secara berkala, seka bagian luar (bodi) peralatan menggunakan kain yang dibasahi air bersabun.

AKSESORI OPSIONAL

⚠️ PERHATIAN:

- Aksesori atau pelengkap ini disarankan untuk digunakan dengan peralatan Makita Anda yang disebutkan dalam pedoman ini. Penggunaan aksesori atau pelengkap lainnya dapat memunculkan risiko cedera pada pengguna. Gunakan hanya aksesori atau pelengkap untuk tujuan yang telah ditentukan.

Jika membutuhkan bantuan untuk detail lebih lanjut tentang aksesori ini, tanyakan pusat layanan Makita terdekat.

- Baterai dan pengisi daya asli Makita
- Film anti-silau
- Tudung lampu
- Tripod [Komponen No:GM00002073]

CATATAN:

- Beberapa item pada daftar dapat disertakan dalam paket peralatan sebagai aksesori standar. Item tersebut mungkin berbeda-beda di setiap negara.

BAHASA MELAYU (Arahan asal)

Penerangan pandangan umum

1. Kunci penutup
4. Butang semak
7. Tombol

2. Penutup bateri
5. Suis

3. Lampu penunjuk
6. Pemilihan mod kecerahan

SPEKIFIKASI

Model	ML005G
LED	40 buah
Sumber kuasa	DC 14.4/18/36 V
Dimensi (P × L × T)	248 mm × 309 mm × 296 mm
Berat bersih	4.6 kg
Kawasan penerima tekanan	0.07 m ²
Darjah perlindungan	IP65

- Spesifikasi mungkin berbeza mengikut negara.
- Dimensi adalah dengan kedudukan pemegang yang direndahkan.
- Beratnya tidak termasuk kartrij bateri.
- Disebabkan program penyelidikan dan pembangunan kami yang berterusan, spesifikasi yang terkandung di dalam ini adalah tertakluk kepada perubahan tanpa notis.

Kartrij bateri yang boleh digunakan dan masa operasi

Voltan	Kartrij bateri yang boleh digunakan	Masa operasi (Lebih kurang)		
		Tinggi	Sederhana	Rendah
14.4 V	BL1415N	0.5 jam	1.1 jam	2.3 jam
	BL1430B	0.8 jam	1.8 jam	3.5 jam
	BL1440	1.3 jam	2.9 jam	5.9 jam
	BL1460B	1.7 jam	3.8 jam	7.5 jam
18 V	BL1815N	0.7 jam	1.5 jam	3.0 jam
	BL1820B	0.9 jam	2.0 jam	3.5 jam
	BL1830B	1.3 jam	2.7 jam	5.5 jam
	BL1840B	1.8 jam	3.5 jam	7.5 jam
	BL1850B	2.3 jam	4.5 jam	10 jam
	BL1860B	2.7 jam	5.5 jam	12 jam
36 V	BL4020	1.7 jam	3.5 jam	7.0 jam
	BL4025	2.2 jam	4.5 jam	9.5 jam
	BL4040	3.5 jam	7.5 jam	15 jam
	BL4050F	4.0 jam	9.5 jam	18 jam
	BL4080F	7.0 jam	15 jam	30 jam

- Sesetengah kartrij bateri yang disenaraikan di atas mungkin tidak tersedia bergantung pada kawasan kediaman anda.
- Masa operasi mungkin berbeza bergantung pada jenis bateri, status pengecasan dan keadaan penggunaan.

⚠ AMARAN: Gunakan hanya kartrij bateri yang disenaraikan di atas. Penggunaan mana-mana kartrij bateri yang lain mungkin menyebabkan kecederaan dan/atau kebakaran.

Simbol

Berikut menunjukkan simbol-simbol yang digunakan untuk alat ini.

Pastikan anda memahami maksudnya sebelum menggunakan.



- Baca manual arahan.



- Hanya berlaku untuk negara-negara Kesatuan Eropah. Sisa peralatan elektrik dan elektronik, akumulator dan bateri mungkin memberikan kesan negatif terhadap alam sekitar dan kesihatan manusia kerana adanya komponen yang berbahaya. Jangan buang peralatan elektrik atau elektronik atau bateri bersama dengan buangan isi rumah! Sesuai dengan Arahan Eropah mengenai sisa peralatan elektrik dan elektronik, akumulator dan bateri, serta sisa akumulator dan bateri, dan penyesuaiannya menurut undang-undang nasional, sisa peralatan elektrik, bateri dan akumulator harus disimpan secara berasingan dan dikirim ke tempat pengumpulan sampah kota yang terpisah, dan dilupuskan sesuai dengan peraturan perlindungan alam sekitar. Ini ditunjukkan dengan simbol sebuah tong sampah diberikan tanda silang yang diletakkan pada peralatan.



- Sinaran Optik (UV dan IR).
Minimumkan pendedahan pada mata atau kulit.



- Jangan renung pada lampu yang beroperasi.



- Gunakan pengadang atau pelindung mata yang betul.



- Sila gunakan dengan berhati-hati dan penuh perhatian!

ARAHAN KESELAMATAN PENTING

AMARAN: Semasa menggunakan alat, langkah berjaga-jaga keselamatan asas harus sentiasa diikuti untuk mengurangkan risiko kebakaran, kejutan elektrik dan kecederaan peribadi, termasuk yang berikut:

BACA SEMUA ARAHAN.

1. Jangan melihat terus ke dalam lampu atau jangan dedahkan lampu pada mata. Mata boleh rosak.
2. Jangan tutup lampu dengan kain atau kadbod, dll. Jika tidak, ia boleh menyebabkan nyalaan api.
3. Jangan dedahkan ia kepada hujan atau salji. Jangan basuh ia di dalam air.
4. Jangan sentuh bahagian dalam alat dengan penyepit kecil, alat logam, dll.
5. Apabila alat tidak digunakan, sentiasa matikan dan tanggalkan kartrij bateri daripada alat.
6. Jangan kenakan kejutan pada alat dengan menjatuhkan, memukul, dll.
7. Maklumat keselamatan untuk lampu elektrik mudah alih dengan bateri.

- Pelupusan bateri harus menurut peraturan setempat anda yang khusus untuk pelupusan bahan berbahaya.
 - Jangan bakar bateri.
8. Maklumat tambahan untuk lampu elektrik.
- Sumber cahaya sistem lampu ini tidak boleh diganti. Seluruh sistem lampu hendaklah diganti apabila hayat sumber cahaya berakhir.
9. Penggunaan dan penjagaan alat bateri.
- **AMARAN:** Baca semua amaran dan arahan keselamatan. Kegagalan mematuhi amaran dan arahan boleh mengakibatkan renjatan elektrik, kebakaran dan/atau kecederaan serius.
 - Elakkan permulaan yang tidak disengajakan. Pastikan suis dalam keadaan tutup sebelum menyambung kepada pek bateri, semasa mengangkat atau membawa alat. Membawa alat dengan jari anda pada suis atau mentenagakan alat dengan suis pada kedudukan hidup mengundang kemalangan.
 - Putuskan sambungan pek bateri daripada alat sebelum melakukan sebarang pelarasan, penukaran aksesori atau penyimpanan alam. Langkah-langkah keselamatan pencegahan sedemikian mengurangkan risiko memulakan alat secara tidak sengaja.
 - Cas semula dengan pengecas yang ditentukan oleh pengeluar sahaja. Pengecas yang sesuai untuk satu jenis pek bateri mungkin menimbulkan risiko kebakaran apabila digunakan dengan pek bateri lain.
 - Gunakan alat dengan pek bateri yang ditentukan secara khusus sahaja. Penggunaan mana-mana pek bateri lain mungkin menimbulkan risiko kecederaan dan kebakaran.
 - Apabila pek bateri tidak digunakan, jauhkan daripada objek logam lain, seperti klip kertas, duit syiling, kunci, paku, skru atau objek logam kecil lain, yang boleh membuat sambungan dari satu terminal ke terminal yang lain. Memintas terminal bateri bersama-sama mungkin menyebabkan letupan atau kebakaran.
 - Di bawah keadaan kasar, cecair mungkin terkeluar daripada bateri; elakkan sentuhan. Jika tersentuh secara tidak sengaja, siram dengan air. Jika cecair terkena mata, dapatkan bantuan perubatan di samping siraman air. Cecair yang terkeluar dari bateri mungkin menyebabkan kegatalan atau letupan.
 - Jangan gunakan pek bateri atau alat yang rosak atau diubah suai. Bateri yang rosak atau diubah suai mungkin menunjukkan perilaku yang tidak dijangka menyebabkan kebakaran, letupan atau risiko kecederaan.
 - Jangan dedahkan pek bateri atau alat kepada api atau suhu yang berlebihan. Pendedahan kepada api atau suhu melebihi 130 °C (265 °F) mungkin menyebabkan letupan.
 - Ikut semua arahan pengecasan dan jangan cas pek bateri atau alat di luar julat suhu yang ditetapkan dalam arahan. Mengecas dengan tidak betul atau pada suhu di luar julat yang dinyatakan mungkin merosakkan bateri dan meningkatkan risiko kebakaran.
 - Pastikan alat anda diservis oleh orang yang berkelayakan dengan hanya menggunakan alat ganti yang sama. Ini akan memastikan keselamatan produk dapat dikekalkan.
 - Jangan ubah suai atau cuba membaiki alat atau pek bateri kecuali seperti yang dinyatakan dalam arahan untuk penggunaan dan penjagaan.
10. Arahan keselamatan penting untuk kartrij bateri.
- Sebelum menggunakan kartrij bateri, baca semua arahan dan tanda amaran pada (1) pengecas bateri, (2) bateri, dan (3) produk menggunakan bateri.
 - Jangan menyahhimpun atau menghentak kartrij bateri. Ia boleh mengakibatkan kebakaran, suhu berlebihan atau letupan.
 - Jika masa operasi menjadi sangat pendek, berhenti operasi serta merta. Ia mungkin menyebabkan risiko pemanasan lampau, melecur bahkan letupan.

- Jika elektrolit masuk ke dalam mata anda, bilas mata dengan air jernih dan dapatkan rawatan perubatan serta merta. Ia mungkin menyebabkan kehilangan penglihatan.
- Jangan pintaskan kartrij bateri.
- Jangan simpan dan gunakan alat dan kartrij bateri di lokasi yang suhunya boleh mencapai atau melebihi 50 °C (122 °F).
- Jangan memaku, memotong, menghancurkan, membuang, menjatuhkan kartrij bateri atau memukul objek keras pada kartrij bateri. Perbuatan sedemikian boleh mengakibatkan kebakaran, suhu berlebihan, atau letupan.
- Jangan gunakan bateri yang rosak.
- Bateri litium-ion yang terkandung adalah tertakluk kepada keperluan Perundangan Barangan Berbahaya. Bagi pengangkutan komersial, cth, oleh pihak ketiga, ejen penghantar, keperluan khas pada pembungkusan dan pelabelan mestilah dipatuhi. Bagi penyediaan item yang dihantar, rundingan dengan pakar bagi bahan berbahaya adalah diperlukan. Sila ambil perhatian juga tentang peraturan negara yang lebih terperinci. Lekatkan atau balut bahagian terbuka dan bungkus bateri supaya ia tidak bergerak dalam pembungkusan.
- Gunakan bateri hanya dengan produk yang ditentukan oleh Makita. Memasang bateri kepada produk yang tidak patuh mungkin menyebabkan kebakaran, pemanasan lampau, atau kebocoran elektrolit.
- Jika alat tidak digunakan untuk tempoh masa yang lama, bateri mesti dikeluarkan daripada alat.
- Semasa dan selepas digunakan, kartrij bateri mungkin menjadi panas yang boleh menyebabkan luka terbakar atau luka terbakar pada suhu rendah. Ambil perhatian terhadap pengendalian kartrij bateri panas.
- Jangan sentuh terminal alat sebaik sahaja digunakan kerana ia boleh mencapai kepanasan yang boleh menyebabkan luka terbakar.
- Jangan biarkan serpihan, habuk, atau tanah tersekat di dalam terminal, lubang dan alur kartrij bateri. Ini boleh mengakibatkan prestasi yang buruk atau kerosakan alat atau kartrij bateri.
- Jangan gunakan kartrij bateri berhampiran talian kuasa elektrik voltan tinggi melainkan alat ini menyokong penggunaan talian kuasa elektrik voltan tinggi. Ia boleh mengakibatkan pincang tugas atau kerosakan alat atau kartrij bateri.
- Jauhkan bateri daripada kanak-kanak.
- 11. Petua untuk mengekalkan hayat bateri maksimum.
- Cas kartrij bateri sebelum ternyahcas sepenuhnya.
- Sentiasa hentikan operasi alat dan cas kartrij bateri apabila anda menyedari kurang kuasa alat.
- Jangan cas semula kartrij bateri yang dicas sepenuhnya. Terlebih cas memendekkan hayat servis bateri.
- Cas kartrij bateri dengan suhu bilik pada 10 °C - 40 °C (50 °F - 104 °F). Biarkan kartrij bateri yang panas menyejuk sebelum mengecasnya.
- Apabila tidak menggunakan kartrij bateri, tanggalkan daripada alat atau pengecas.
- Cas kartrij bateri jika anda tidak gunakannya untuk tempoh yang lama (lebih daripada enam bulan).

⚠ PERHATIAN: Hanya gunakan bateri asli Makita. Penggunaan bateri Makita yang tidak asli atau bateri yang telah diubah boleh mengakibatkan bateri pecah yang menyebabkan kebakaran, kecederaan diri dan kerosakan. Ia juga membatalkan jaminan Makita untuk alat Makita dan pengecas.

Simpan semua amaran dan arahan untuk rujukan masa depan.

KETERANGAN FUNGSI

⚠ PERHATIAN:

- Sentiasa pastikan bahawa alat dimatikan dan kartrij bateri ditanggalkan sebelum melaraskan atau menyemak fungsi pada alat.

Memasang atau mengeluarkan kartrij bateri

⚠ PERHATIAN:

- **Pegang alat dan kartrij bateri dengan kukuh semasa memasang atau mengeluarkan kartrij bateri.**
Kegagalan untuk memegang alat dan kartrij bateri dengan kukuh boleh menyebabkan ia terlepas daripada tangan anda dan mengakibatkan kerosakan kepada alat dan kartrij bateri serta kecederaan diri.
- Berhati-hati supaya tidak terkepit tangan anda di antara alat dan kartrij bateri semasa memuatkan kartrij bateri dan juga di antara alat dan penutup bateri semasa menutup penutup bateri.

Untuk memasang kartrij bateri, lepaskan kunci penutup, dan buka penutup bateri. (Fig. 1)
Masukkan kartrij bateri. Sejajarkan lidah pada kartrij bateri dengan alur pada perumahan dan selitkan ia ke tempatnya. Masukkan ia sepenuhnya sehingga ia terkunci di tempatnya dengan klik kecil. Jika anda boleh melihat penunjuk merah di sisi atas butang, ia tidak dikunci sepenuhnya. Kemudian, tutup penutup bateri. Untuk mengeluarkan kartrij bateri, luncurkan ia daripada alat apabila meluncurkan butang di hadapan kartrij. (Fig. 2)

⚠ PERHATIAN:

- Pastikan kartrij bateri sentiasa dipasang sepenuhnya di tempatnya. Jika tidak, ia mungkin jatuh daripada alat tanpa sengaja, menyebabkan kecederaan kepada anda atau individu di sekeliling anda.
- Jangan pasang kartrij bateri secara paksa. Jika kartrij tidak meluncur dengan mudah, ia tidak dimasukkan dengan betul.

Menunjukkan kapasiti bateri yang tinggal (Fig. 3)

(Hanya untuk kartrij bateri dengan penunjuk)
Tekan butang semak pada kartrij bateri untuk menunjukkan kapasiti bateri yang tinggal. Lampu penunjuk menyala untuk beberapa saat.

Lampu penunjuk			Kapasiti yang tinggal
Menyala	Mati	Berkelip	
■ ■ ■ ■			75 % hingga 100 %
■ ■ ■	□		50 % hingga 75 %
■ ■	□ □		25 % hingga 50 %
■	□ □ □		0 % hingga 25 %
◻	□ □ □	◻	Cas bateri.
■ ■	□ □	◻	Bateri mungkin telah pincang tugas.
□ □	■ ■		

NOTA:

- Bergantung kepada keadaan penggunaan dan suhu persekitaran, petunjuk mungkin berbeza sedikit daripada kapasiti sebenar.
- Lampu penunjuk pertama (paling kiri) akan berkelip apabila sistem perlindungan bateri berfungsi.

Penggunaan bateri Makita yang tidak asli, atau bateri yang telah diubah suai akan membatalkan jaminan Makita untuk alat dan pengecas Makita.

Menghidupkan lampu dan pemilihan mod kecerahan (Fig. 4)

- Suis: Tekan suis sekali, lampu menyala (Dengan mod kecerahan yang sama seperti tetapan terakhir). Tekan suis sekali lagi, lampu terpadam.
- Pemilihan mod kecerahan: Urutan kecerahan adalah: Mod tinggi / Sederhana / Mod rendah / Mod tinggi untuk setiap tekanan semasa lampu menyala.

Sistem perlindungan bateri (Fig. 5)

Alat dilengkapi dengan sistem perlindungan bateri untuk memanjangkan hayat bateri. Apabila bateri menjadi rendah, lampu LED terpadam kecuali satu LED seperti yang digambarkan. Kemudian, kira-kira lima ke sepuluh minit seterusnya, sistem memutuskan kuasa secara automatik.

Perlindungan terlalu panas

Apabila alat atau baterinya terlalu panas, alat akan berhenti secara automatik. Biarkan alat menjadi sejuk sebelum dihidupkan semula.

OPERASI

⚠ PERHATIAN:

- Sentiasa letakkan alat pada tempat yang rata dan stabil. Jika tidak, alat terjatuh secara tidak sengaja boleh berlaku.

Melaraskan sudut lampu (Fig. 6)

Longgarkan tombol pada kedua-dua sisi. Laraskan sudut lampu (julat pelarasan adalah 240°). Kemudian, ketatkan tombol semula.

⚠ PERHATIAN:

Berhati-hati supaya tidak terkepit jari semasa melaraskan sudut lampu.

Melekatkan filem anti-silau (Fig. 8)

Aksesori pilihan

- Bersihkan kotoran dari permukaan kanta alat sebelum melekatkan filem anti-silau.
- Gunakan botol penyembur untuk membasahkan kanta alat dan permukaan yang akan dipasang filem anti-silau.
- Lekatkannya pada tengah-tengah kanta alat.
- Gunakan sekuji atau spatula getah untuk mengeluarkan udara atau titisan air di antara filem dan kanta.
- Selepas pemasangan, keringkan titisan air dengan kain kering.

Memasang tudung lampu (Fig. 9)

Aksesori pilihan

Cangkukkan tonjolan tudung lampu pada takuk alat seperti yang digambarkan.

Menggunakan dengan tripod (aksesori pilihan)

⚠ PERHATIAN:

- Baca dengan teliti manual arahan aksesori sebelum menggunakan ia bersama lampu.

Anda boleh meletakkan lampu pada tripod untuk memudahkan pengendalian. (Fig. 7)

⚠ PERHATIAN:

- Berhati-hati supaya tidak menjatuhkan alat semasa memasang alat pada tripod.
- Letakkan tripod pada permukaan yang stabil dan rata untuk mengelakkan alat terjatuh.
- Buka kaki tripod sehingga maksimum.
- Jangan gunakan tripod jika angin kuat.
- Pastikan alat dipasang dengan kukuh pada tripod.
- Tanggalkan alat semasa membawa tripod atau semasa melipat kaki tripod.
- Berhati-hati supaya tangan anda tidak tersepit di antara kaki tripod semasa menutup tripod.

PENYELENGGARAAN

⚠ PERHATIAN:

- Sentiasa pastikan bahawa alat dimatikan dan kartrij bateri ditanggalkan sebelum anda cuba melakukan pemeriksaan atau penyelenggaraan.

- Jangan gunakan gasolin, benzin, pencair, alkohol atau bahan yang serupa. Ia boleh menyebabkan perubahan warna, bentuk atau keretakan.

Hanya kerja penyelenggaraan yang diterangkan dalam manual arahan ini boleh dilakukan oleh pengguna.

Sebarang kerja lain mesti dilaksanakan oleh pusat servis Makita yang sah.

Pembersihan

⚠ PERHATIAN:

- Jangan basuh alat menggunakan air.
- Dari semasa ke semasa, lap bahagian luar (badan alat) alat menggunakan kain yang dilembapkan dengan air sabun.

AKSESORI PILIHAN

PERHATIAN:

- Aksesori atau alat tambahan ini adalah disyorkan untuk digunakan dengan alat Makita anda yang dinyatakan dalam manual ini. Penggunaan mana-mana aksesori atau alat tambahan lain mungkin mengakibatkan risiko kecederaan kepada orang. Hanya gunakan aksesori atau alat tambahan untuk tujuan yang dinyatakannya.

Jika anda memerlukan sebarang bantuan untuk maklumat lebih lanjut mengenai aksesori ini, tanya Pusat Servis Makita tempatan anda.

- Bateri dan pengecas asli Makita
- Filem anti-silau
- Tudung lampu
- Tripod [No bahagian: GM00002073]

NOTA:

- Beberapa item dalam senarai mungkin disertakan dalam pakej alat sebagai aksesori standard. Item mungkin berbeza mengikut negara.

TIẾNG VIỆT (Hướng dẫn gốc)

Giải thích cái nhìn tổng quan

1. Khóa nắp ngăn pin
2. Nắp ngăn pin
3. Đèn báo
4. Nút kiểm tra
5. Công tắc
6. Chọn chế độ sáng
7. Nút vặn

THÔNG SỐ KỸ THUẬT

Mẫu máy	ML005G
LED	40 cái
Nguồn điện	14,4/18/36 V DC
Kích thước (D x R x C)	248 mm x 309 mm x 296 mm
Trọng lượng tịnh	4,6 kg
Khu vực nhận áp lực	0,07 m ²
Cấp bảo vệ	IP65

- Các thông số kỹ thuật có thể thay đổi tùy theo từng quốc gia.
- Đây là kích thước khi tay cầm ở vị trí được hạ thấp.
- Trọng lượng không bao gồm hộp chứa pin.
- Do chương trình nghiên cứu và phát triển liên tục của chúng tôi, các thông số kỹ thuật ở đây có thể thay đổi mà không cần thông báo trước.

Bảng pin phù hợp và thời gian hoạt động

Điện áp	Bảng pin phù hợp	Thời gian hoạt động (Xấp xỉ)		
		Cao	Trung bình	Thấp
14,4 V	BL1415N	0,5 giờ	1,1 giờ	2,3 giờ
	BL1430B	0,8 giờ	1,8 giờ	3,5 giờ
	BL1440	1,3 giờ	2,9 giờ	5,9 giờ
	BL1460B	1,7 giờ	3,8 giờ	7,5 giờ
18 V	BL1815N	0,7 giờ	1,5 giờ	3,0 giờ
	BL1820B	0,9 giờ	2,0 giờ	3,5 giờ
	BL1830B	1,3 giờ	2,7 giờ	5,5 giờ
	BL1840B	1,8 giờ	3,5 giờ	7,5 giờ
	BL1850B	2,3 giờ	4,5 giờ	10 giờ
	BL1860B	2,7 giờ	5,5 giờ	12 giờ
36 V	BL4020	1,7 giờ	3,5 giờ	7,0 giờ
	BL4025	2,2 giờ	4,5 giờ	9,5 giờ
	BL4040	3,5 giờ	7,5 giờ	15 giờ
	BL4050F	4,0 giờ	9,5 giờ	18 giờ
	BL4080F	7,0 giờ	15 giờ	30 giờ

- Một số bảng pin được liệt kê ở trên có thể không có sẵn tùy thuộc vào khu vực mà bạn cư trú.
- Thời gian hoạt động có thể khác nhau tùy thuộc vào loại pin, trạng thái sạc và tình trạng sử dụng.

⚠ CẢNH BÁO: Bạn chỉ được sử dụng các loại bảng pin được liệt kê ở trên. Bạn có thể bị thương và/hoặc gây ra hỏa hoạn nếu sử dụng bất kỳ loại bảng pin nào khác.

Các biểu tượng

Dưới đây là các biểu tượng được sử dụng cho thiết bị này.

Đảm bảo rằng bạn hiểu rõ ý nghĩa của các biểu tượng sau đây trước khi dùng thiết bị.



- Hãy đọc tài liệu hướng dẫn sử dụng.



- Chỉ đối với quốc gia thuộc EU Do chứa thành phần nguy hại trong thiết bị, chất thải điện và điện tử, ắc quy và pin có thể ảnh hưởng tiêu cực đến môi trường và sức khỏe con người. Không để thiết bị điện và điện tử hoặc pin cùng với rác thải sinh hoạt! Theo Chỉ thị Châu Âu về rác thải điện và điện tử, rác thải pin, ắc quy cũng như sự phù hợp với luật quốc gia, rác thải điện, điện tử và pin, ắc quy phải được lưu trữ riêng và vận chuyển đến điểm thu gom riêng đối với rác thải đô thị, hoạt động tuân thủ theo quy định về bảo vệ môi trường. Điều này được thể hiện bằng biểu tượng dấu gạch chéo ngang thùng rác có bánh xe trên thiết bị.



- Bức xạ Quang học (UV và IR). Giảm thiểu tiếp xúc với mắt hoặc da.



- Không nhìn lâu vào đèn đang hoạt động.



- Sử dụng các phương tiện che chắn hoặc bảo vệ mắt thích hợp.



- Đặc biệt đề phòng và chú ý!

HƯỚNG DẪN AN TOÀN QUAN TRỌNG

⚠ CẢNH BÁO: Khi sử dụng thiết bị, phải luôn tuân thủ các biện pháp phòng ngừa an toàn cơ bản để giảm các nguy cơ hỏa hoạn, điện giật và gây thương tích cá nhân, bao gồm các biện pháp sau:

ĐỌC TẤT CẢ CÁC HƯỚNG DẪN.

1. Không nhìn vào đèn hoặc không để đèn chiếu vào mắt. Mắt có thể bị tổn thương.
2. Không che đèn bằng vải hoặc bìa các tông, v.v. Nếu không có thể gây cháy.
3. Không để dụng cụ tiếp xúc với mưa hoặc tuyết. Không rửa dụng cụ bằng nước.
4. Không chạm vào bên trong thiết bị bằng nhíp, các dụng cụ kim loại, v.v.
5. Khi không sử dụng thiết bị, luôn tắt và tháo băng pin ra khỏi thiết bị.
6. Không gây va đập cho thiết bị bằng cách làm rơi, đập, v.v.
7. Thông tin an toàn cho bộ đèn cầm tay có pin.

- Việc tháo bỏ pin phải tuân thủ các quy định tại địa phương của bạn về việc xử lý các vật liệu nguy hiểm.
- Không đốt pin.

8. Thông tin bổ sung cho bộ đèn.

- Nguồn sáng của bộ đèn này không thể thay thế; khi nguồn sáng đến hết tuổi thọ sử dụng thì tất cả bộ đèn sẽ được thay thế.

9. Sử dụng và bảo quản dụng cụ pin.

- **CẢNH BÁO:** Hãy đọc tất cả các cảnh báo an toàn và hướng dẫn đi kèm. Việc không tuân theo các cảnh báo và hướng dẫn có thể dẫn đến điện giật, hỏa hoạn và/hoặc thương tích nghiêm trọng.
 - Tránh vô tình khởi động thiết bị. Đảm bảo công tắc ở vị trí tắt trước khi kết nối với bộ pin và trước khi nhấn thiết bị lên hoặc di chuyển thiết bị. Tai nạn có thể xảy ra nếu bạn di chuyển thiết bị trong khi đèn ngốn tay trên công tắc, hoặc cung cấp năng lượng cho thiết bị trong khi công tắc đang bật.
 - Tháo bộ pin ra khỏi thiết bị trước khi thực hiện bất kỳ công việc điều chỉnh, thay phụ kiện, hay cất giữ thiết bị nào. Những biện pháp an toàn phòng ngừa này sẽ giảm nguy cơ khởi động thiết bị không mong muốn.
 - Chỉ sạc lại bằng bộ sạc được nhà sản xuất chỉ định. Một bộ sạc phù hợp với một loại bộ pin có thể gây ra rủi ro cháy khi được sử dụng với một bộ pin khác.
 - Chỉ sử dụng các thiết bị với các bộ pin được chỉ định cụ thể. Bạn có thể có nguy cơ bị thương và gây ra hỏa hoạn nếu sử dụng bất kỳ bộ pin nào khác.
 - Khi không sử dụng bộ pin, để nó cách xa các vật kim loại khác như: kẹp giấy, đồng xu, chìa khóa, đinh, vít, hoặc những vật kim loại nhỏ có thể kết nối từ điện cực này sang điện cực khác. Làm đoản mạch các điện cực của pin có thể gây bỏng hoặc hỏa hoạn.
 - Trong những điều kiện lạm dụng, chất lỏng có thể rỉ ra từ pin; hãy tránh tiếp xúc với nó. Nếu vô tình tiếp xúc, hãy xả với nước. Nếu chất lỏng tiếp xúc với mắt, ngoài ra còn phải tìm sự giúp đỡ y tế. Chất lỏng chảy ra từ pin có thể gây kích ứng hoặc bỏng.
 - Không sử dụng bộ pin hoặc thiết bị đã hư hỏng hoặc bị sửa đổi. Pin đã hư hỏng hoặc bị sửa đổi có thể hoạt động bất thường, dẫn đến cháy, nổ hoặc nguy cơ bị thương.
 - Không để bộ pin hoặc thiết bị tiếp xúc với lửa hoặc nhiệt độ quá cao. Tiếp xúc với lửa hoặc nhiệt độ trên 130 °C (265 °F) có thể gây nổ.
 - Làm theo tất cả các hướng dẫn sạc và không sạc bộ pin hoặc thiết bị ngoài phạm vi nhiệt độ được chỉ định trong hướng dẫn. Sạc không đúng cách hoặc ở nhiệt độ ngoài phạm vi quy định có thể làm hỏng pin và tăng nguy cơ hỏa hoạn.
 - Việc bảo dưỡng thiết bị phải được thực hiện bởi thợ sửa chữa có trình độ và chỉ sử dụng các bộ phận thay thế đồng nhất. Việc này sẽ đảm bảo duy trì an toàn cho sản phẩm.
 - Không sửa đổi hoặc cố gắng sửa chữa thiết bị hoặc bộ pin trừ khi điều này được chỉ định trong tài liệu hướng dẫn sử dụng và chăm sóc.
10. Hướng dẫn an toàn quan trọng cho băng pin.
- Trước khi sử dụng băng pin, hãy đọc tất cả các hướng dẫn và nhãn cảnh báo về (1) bộ sạc pin, (2) pin và (3) sản phẩm sử dụng pin.
 - Không tháo rời hoặc làm xáo trộn băng pin. Làm vậy có thể gây ra hỏa hoạn, nhiệt độ quá cao hoặc nổ.
 - Nếu thời gian vận hành của băng pin còn quá ít, hãy ngừng vận hành ngay lập tức. Thời gian vận hành của băng pin còn quá ít có thể dẫn đến nguy cơ băng pin trở nên quá nóng, có thể khiến bạn bị bỏng và thậm chí gây nổ.

- Nếu chất điện phân vào trong mắt bạn, hãy rửa xối chúng ra khỏi mắt với nước sạch và tìm sự chăm sóc y tế ngay lập tức. Nó có thể gây mất thị giác.
 - Không làm đoàn mạch bằng pin.
 - Không bảo quản và dùng dụng cụ và bằng pin ở những nơi có nhiệt độ có thể lên đến hoặc vượt quá 50 °C (122 °F).
 - Không đóng đinh, cắt, nghiền, ném, làm rơi bằng pin hoặc va vật cứng vào bằng pin. Hành vi như vậy có thể gây ra hỏa hoạn, nhiệt độ quá cao hoặc nổ.
 - Không sử dụng pin đã hư hỏng.
 - Các pin có chứa lithium-ion phải được xử lý theo các yêu cầu của Quy định về hàng hóa nguy hiểm. Khi được vận chuyển thương mại, ví dụ như bởi bên thứ ba, các đại lý giao nhận, phải tuân thủ yêu cầu đặc biệt về bao bì và nhãn dán. Trước khi vận chuyển sản phẩm, cần phải có sự tư vấn của chuyên gia về vật liệu nguy hiểm. Đồng thời, vui lòng tuân thủ các quy định quốc gia có thể chi tiết hơn. Dán băng dính hoặc che phủ các bề mặt hở và đóng gói pin sao cho nó không bị xô đẩy trong bao bì.
 - Chỉ sử dụng pin với các sản phẩm được chỉ định bởi Makita. Sử dụng pin cho các sản phẩm không được chỉ định có thể dẫn đến hỏa hoạn, nhiệt độ quá cao, nổ hoặc rò rỉ chất điện phân.
 - Tháo pin ra khỏi thiết bị nếu không sử dụng thiết bị trong một thời gian dài.
 - Trong và sau khi sử dụng, bằng pin có thể bị nóng và gây bỏng hoặc bỏng ở nhiệt độ thấp. Hãy chú ý đến việc xử lý các bằng pin cứng.
 - Không chạm vào điện cực của dụng cụ ngay sau khi sử dụng vì nó có thể đủ nóng để gây bỏng.
 - Không để mảnh vỡ, bụi hoặc đất dính vào các điện cực, lỗ và rãnh của bằng pin. Nó có thể dẫn đến hiệu suất kém hoặc làm hư hỏng dụng cụ hoặc bằng pin.
 - Trừ khi dụng cụ hỗ trợ việc sử dụng gần các đường dây điện cao thế, không sử dụng bằng pin gần đường dây điện cao thế. Nó có thể dẫn đến sự cố hoặc làm hư hỏng dụng cụ hoặc bằng pin.
 - Giữ pin tránh xa trẻ em.
11. Mẹo để duy trì tuổi thọ pin tối đa.
- Sạc bằng pin trước khi xả pin hoàn toàn. Luôn dừng hoạt động của dụng cụ và sạc bằng pin khi bạn nhận thấy dụng cụ có ít điện năng hơn.
 - Không bao giờ sạc lại một bằng pin đã được sạc đầy. Sạc quá thời gian khiến tuổi thọ pin giảm.
 - Sạc bằng pin với nhiệt độ phòng ở 10 °C - 40 °C (50 °F - 104 °F). Để một bằng pin nóng nguội bớt trước khi sạc nó.
 - Khi không sử dụng bằng pin, hãy tháo nó ra khỏi dụng cụ hoặc bộ sạc.
 - Sạc bằng pin nếu bạn không sử dụng nó trong một thời gian dài (hơn sáu tháng).

⚠ THẬN TRỌNG: Chỉ sử dụng pin Makita chính hãng. Việc sử dụng pin Makita không chính hãng hoặc pin đã bị sửa đổi có thể khiến pin bị vỡ, gây ra hỏa hoạn, thương tích cá nhân và hư hỏng. Điều đó cũng sẽ làm mất hiệu lực bảo hành của Makita đối với thiết bị và bộ sạc Makita.

Lưu giữ tất cả cảnh báo và hướng dẫn để tham khảo sau này.

MÔ TẢ CHỨC NĂNG

⚠ THẬN TRỌNG:

- Luôn đảm bảo rằng bạn đã tắt thiết bị và tháo bằng pin trước khi điều chỉnh hoặc kiểm tra chức năng trên thiết bị.

Lắp đặt hoặc tháo bằng pin

⚠ THẬN TRỌNG:

- **Giữ chắc thiết bị và bằng pin khi lắp đặt hoặc tháo bằng pin.** Không giữ chắc thiết bị và bằng pin có thể khiến chúng tuột khỏi tay bạn và dẫn đến thiết bị và bằng pin hư hỏng và gây thương tích cá nhân.
- **Cẩn thận không để kẹt ngón tay giữa thiết bị và bằng pin khi lắp bằng pin cũng như giữa thiết bị và nắp ngăn pin khi đóng nắp ngăn pin.**

Để lắp đặt bằng pin, hãy tháo khóa nắp ngăn pin và mở nắp ngăn pin. (**Fig. 1**)

Đưa bằng pin vào. Căn đường gân trên bằng pin vào đường rãnh trên vỏ thiết bị và trượt nó vào vị trí. Đẩy hết bằng pin cho đến khi nó được khóa đúng vị trí với một tiếng cạch nhỏ. Nếu bạn nhìn thấy đèn báo màu đỏ ở phía bên trên nút bấm thì nó chưa được khóa hoàn toàn. Sau đó đóng nắp ngăn pin lại.

Để tháo gỡ bằng pin, trượt nó khỏi thiết bị đồng thời nhấn nút ở mặt trước bằng pin. (**Fig. 2**)

⚠ THẬN TRỌNG:

- Luôn lắp đặt hộp pin đầy đủ vào đúng vị trí. Nếu không, nó có thể vô tình rơi ra ngoài thiết bị, gây chấn thương cho bạn hoặc những người xung quanh bạn.
- Không sử dụng lực mạnh khi lắp bằng pin. Nếu bằng pin không trượt vào dễ dàng tức nó đã không được lắp đúng cách.

Cho biết dung lượng pin còn lại (Fig. 3)

(Chỉ dành cho những bảng pin với đèn báo)
Nhấn nút kiểm tra trên bảng pin để xem dung lượng pin còn lại. Các đèn báo bật sáng trong vài giây.

Đèn báo			Dung lượng pin còn lại
Sáng	Tắt	Nhấp nháy	
■ ■ ■ ■			75 % đến 100 %
■ ■ ■ □			50 % đến 75 %
■ ■ □ □			25 % đến 50 %
■ □ □ □			0 % đến 25 %
▣ □ □ □			Sạc pin.
■ ■ □ □ ↑ ↓ □ □ ■ ■			Pin có thể đã hư hỏng.

CHÚ Ý:

- Phụ thuộc vào các điều kiện sử dụng và nhiệt độ môi trường, đèn báo có thể hơi sai khác so với dung lượng thực tế.
- Đèn báo đầu tiên (ngoài cùng bên trái) sẽ bật sáng khi hệ thống bảo vệ pin hoạt động.

Việc sử dụng pin Makita không chính hãng hoặc pin đã bị sửa đổi sẽ làm mất hiệu lực bảo hành của Makita đối với thiết bị và bộ sạc Makita.

Bật đèn và chọn chế độ sáng (Fig. 4)

- Công tắc: Nhấn công tắc một lần, đèn sẽ sáng (Chế độ sáng sẽ giống với cài đặt gần nhất). Nhấn công tắc một lần nữa, đèn sẽ tắt.
- Chọn chế độ sáng: Trình tự độ sáng là: Chế độ cao / Chế độ trung bình / Chế độ thấp / Chế độ cao cho mỗi lần nhấn khi đèn sáng.

Hệ thống bảo vệ pin (Fig. 5)

Thiết bị được trang bị hệ thống bảo vệ pin để kéo dài tuổi thọ pin. Khi pin yếu, đèn LED sẽ tắt, trừ một đèn LED như hình minh họa. Sau đó khoảng năm đến mười phút, hệ thống sẽ tự động ngắt điện.

Bảo vệ quá nhiệt

Khi thiết bị hoặc pin bị quá nhiệt, thiết bị sẽ tự động dừng. Để thiết bị mát lại trước khi bật lại.

VẬN HÀNH

⚠ THẬN TRỌNG:

- Luôn đặt thiết bị ở nơi bằng phẳng và vững chắc. Nếu không thiết bị có thể rơi xuống.

Điều chỉnh góc của đèn (Fig. 6)

Nới lỏng các núm vặn ở cả hai bên. Điều chỉnh góc của đèn (phạm vi điều chỉnh là 240°). Sau đó siết chặt các núm một lần nữa.

⚠ THẬN TRỌNG:

Cẩn thận không kẹt (các) ngón tay khi điều chỉnh góc của đèn.

Dán phim chống lóa (Fig. 8)

Phụ kiện tùy chọn

- Trước khi dán phim chống lóa, vệ sinh bụi phía trước bề mặt ống kính thiết bị.
- Sử dụng bình xịt làm ướt kỹ ống kính của thiết bị và bề mặt vị trí dán phim chống lóa.
- Dán ở giữa ống kính thiết bị.
- Sử dụng dao hoặc thìa cao su để đẩy bọt khí hoặc giọt nước giữa phim và ống kính ra ngoài.
- Sau khi dán, lau khô giọt nước bằng vải khô.

Lắp đặt chụp đèn (Fig. 9)

Phụ kiện tùy chọn

Móc phần nhô ra của chụp đèn vào hõm thiết bị như hướng dẫn.

Sử dụng với giá ba chân (phụ kiện tùy chọn)

⚠ THẬN TRỌNG:

- Đọc kỹ các tài liệu hướng dẫn sử dụng của các phụ kiện trước khi sử dụng với đèn.
- Bạn có thể đặt đèn trên giá ba chân để việc vận hành thuận tiện hơn. (Fig. 7)

⚠ THẬN TRỌNG:

- Cẩn thận không làm rơi thiết bị khi gắn thiết bị vào giá ba chân.
- Đặt giá ba chân trên một bề mặt phẳng và vững chắc để tránh thiết bị rơi xuống.
- Xoài rộng chân của giá ba chân đến mức tối đa.
- Không sử dụng giá ba chân nếu gió thổi mạnh.
- Đảm bảo rằng thiết bị được gắn chắc trên giá ba chân.
- Tháo thiết bị ra khỏi giá ba chân khi di chuyển giá ba chân, hoặc khi gặp các chân của giá ba chân.
- Cẩn thận không để tay bạn bị kẹt vào các chân của giá ba chân khi đóng giá ba chân.

BẢO TRÌ

⚠ THẬN TRỌNG:

- Luôn chắc chắn rằng thiết bị đã tắt và bảng pin đã được tháo ra trước khi cố gắng thực hiện kiểm tra hoặc bảo trì.
- Không bao giờ sử dụng xăng, ét-xăng, chất pha loãng, cồn hoặc các chất tương tự. Việc đó có thể dẫn đến thiết bị đổi màu, biến dạng hoặc có các vết nứt. Người dùng chỉ có thể thực hiện những công việc bảo trì được mô tả trong hướng dẫn sử dụng này. Bất kỳ công việc bảo trì nào khác phải do các trung tâm dịch vụ ủy quyền của Makita thực hiện.

Vệ sinh

⚠ THẬN TRỌNG:

- Không bao giờ rửa thiết bị trong nước.
- Thỉnh thoảng lau sạch bề mặt bên ngoài (thân thiết bị) của thiết bị bằng vải ẩm đã được giặt trong nước xà phòng.

PHỤ KIỆN TỰY CHỌN

⚠ THẬN TRỌNG:

- Những phụ kiện hoặc linh kiện này được khuyến nghị sử dụng với thiết bị Makita của bạn được chỉ định trong hướng dẫn sử dụng này. Việc sử dụng bất kỳ phụ kiện hoặc linh kiện nào khác có thể gây nguy cơ thương tích cho người.

Chỉ sử dụng phụ kiện hoặc linh kiện cho mục đích được chỉ định của phụ kiện hoặc linh kiện đó.

Nếu bạn cần bất kỳ sự trợ giúp nào để biết thêm chi tiết về các phụ kiện này, hãy liên hệ với trung tâm dịch vụ của Makita tại địa phương của bạn.

- Pin và bộ sạc chính hãng Makita
- Phim chống lóa
- Chụp đèn
- Giá ba chân [Số linh kiện:GM00002073]

CHÚ Ý:

- Một số mặt hàng trong danh sách có thể được bao gồm trong gói thiết bị dưới dạng các phụ kiện tiêu chuẩn. Các mặt hàng này có thể thay đổi tùy theo từng quốc gia.

คำอธิบายของมุมมองทั่วไป

1. ล็อคฝาครอบ
2. ฝาครอบแบตเตอรี่
3. ไฟแสดงสถานะ
4. ปุ่มตรวจสอบ
5. สวิตช์
6. การเลือกโหมดความสว่าง
7. ลูกบิด

คุณลักษณะ

รุ่น	ML005G
LED	40 ชิ้น
แหล่งพลังงาน	14.4/18/36 V DC
ขนาด (ยาว x กว้าง x สูง)	248 mm x 309 mm x 296 mm
น้ำหนักสุทธิ	4.6 kg
พื้นที่รับความดัน	0.07 m ²
ระดับการป้องกัน	IP65

- คุณลักษณะอาจแตกต่างกันไปในแต่ละประเทศ
- ขนาดที่ระบุเป็นขนาดในตำแหน่งพับเก็บ
- น้ำหนักไม่รวมแบตเตอรี่
- เนื่องจากโครงการวิจัยและพัฒนาที่กำลังดำเนินอยู่ของเรา อาจมีการเปลี่ยนแปลงคุณลักษณะในรุ่นนี้โดยไม่มีการแจ้งให้ทราบล่วงหน้า

ดัลต์แบตเตอรี่และระยะเวลาในการทำงาน

แรงดันไฟฟ้า	ดัลต์แบตเตอรี่ที่ใช้	ระยะเวลาในการทำงาน (โดยประมาณ)		
		สูง	กลาง	ต่ำ
14.4 V	BL1415N	0.5 ชั่วโมง	1.1 ชั่วโมง	2.3 ชั่วโมง
	BL1430B	0.8 ชั่วโมง	1.8 ชั่วโมง	3.5 ชั่วโมง
	BL1440	1.3 ชั่วโมง	2.9 ชั่วโมง	5.9 ชั่วโมง
	BL1460B	1.7 ชั่วโมง	3.8 ชั่วโมง	7.5 ชั่วโมง
18 V	BL1815N	0.7 ชั่วโมง	1.5 ชั่วโมง	3.0 ชั่วโมง
	BL1820B	0.9 ชั่วโมง	2.0 ชั่วโมง	3.5 ชั่วโมง
	BL1830B	1.3 ชั่วโมง	2.7 ชั่วโมง	5.5 ชั่วโมง
	BL1840B	1.8 ชั่วโมง	3.5 ชั่วโมง	7.5 ชั่วโมง
	BL1850B	2.3 ชั่วโมง	4.5 ชั่วโมง	10 ชั่วโมง
	BL1860B	2.7 ชั่วโมง	5.5 ชั่วโมง	12 ชั่วโมง
36 V	BL4020	1.7 ชั่วโมง	3.5 ชั่วโมง	7.0 ชั่วโมง
	BL4025	2.2 ชั่วโมง	4.5 ชั่วโมง	9.5 ชั่วโมง
	BL4040	3.5 ชั่วโมง	7.5 ชั่วโมง	15 ชั่วโมง
	BL4050F	4.0 ชั่วโมง	9.5 ชั่วโมง	18 ชั่วโมง
	BL4080F	7.0 ชั่วโมง	15 ชั่วโมง	30 ชั่วโมง

- ดัลต์แบตเตอรี่บางรายการที่ระบุข้างต้นอาจไม่พร้อมให้บริการ ขึ้นอยู่กับประเทศและภูมิภาคของคุณ
- ระยะเวลาในการทำงานอาจแตกต่างกันออกไป ขึ้นอยู่กับประเภทของแบตเตอรี่ สถานะการชาร์จ และสภาพการใช้งาน

⚠ คำเตือน: ใช้เฉพาะดัลต์แบตเตอรี่ที่ระบุไว้ข้างต้นเท่านั้น การใช้ดัลต์แบตเตอรี่นอกเหนือจากที่ระบุไว้อาจทำให้เกิดการบาดเจ็บและ/หรือไฟไหม้

สัญลักษณ์

ข้อมูลต่อไปนี้จะแสดงสัญลักษณ์ที่ใช้สำหรับอุปกรณ์ชิ้นนี้ ตรวจสอบให้แน่ใจว่าคุณเข้าใจความหมายของสัญลักษณ์เหล่านี้ ก่อนการใช้งาน



อ่านคู่มือการใช้งาน



- สำหรับประเทศในสหภาพยุโรปเท่านั้น เนื่องจากชิ้นส่วนอันตรายในอุปกรณ์เครื่องมือ ในเครื่องใช้ไฟฟ้าและอุปกรณ์เครื่องใช้ไฟฟ้าที่ไม่ใช้งาน ในที่เก็บพลังงาน



- อาจจะมีผลกระทบต่อสภาพแวดล้อมและสุขภาพของมนุษย์ได้ อย่าทิ้งเครื่องใช้ไฟฟ้าและอุปกรณ์เครื่องใช้ไฟฟ้าหรือแบตเตอรี่ร่วมกับขยะในบ้าน ตามระเบียบของยุโรปเกี่ยวกับการทิ้งเครื่องใช้ไฟฟ้ากับอุปกรณ์เครื่องใช้ไฟฟ้าและระเบียบเกี่ยวกับที่เก็บพลังงานกับแบตเตอรี่ และการทิ้งที่เก็บพลังงานกับแบตเตอรี่ รวมถึงระเบียบที่สอดคล้องกับกฎหมาย

- นานาชาติ การทิ้งอุปกรณ์เครื่องใช้ไฟฟ้า แบตเตอรี่ และที่เก็บพลังงาน ควรจะแยกต่างหากและส่งไปยังจุดเก็บคัดแยกขยะในเมืองเพื่อดำเนินการตามการกระเปียบการป้องกันด้านสภาพแวดล้อม ซึ่งจะแสดงเป็นสัญลักษณ์รูปถังขยะติดล้อที่ถูกกากบาทบนเครื่องมืออุปกรณ์



- ระวังแสงเข้าตา (UV หรือ IR) ลดการสัมผัสกับดวงตาหรือผิวหนัง



- อย่ามองที่ไฟซึ่งกำลังทำงานอยู่



- ใช้ตัวป้องกันหรืออุปกรณ์ป้องกันสายตาที่เหมาะสม



- ดูและและเอาใจใส่เป็นพิเศษ!

คำแนะนำด้านความปลอดภัยที่สำคัญ

⚠ คำเตือน: เมื่อใช้งาน ควรปฏิบัติตามคำแนะนำด้านความปลอดภัยทุกครั้งเพื่อลดความเสี่ยงในการเกิดอัคคีภัย ไฟฟ้าช็อต และการบาดเจ็บของบุคคล รวมถึงเรื่องต่อไปนี้:

อ่านคำแนะนำทั้งหมด

- อย่ามองที่แสงไฟ หรืออย่าให้แสงเข้าตา ดวงตาอาจได้รับอันตราย
- อย่าคลุมดวงไฟด้วยเสื้อผ้าหรือกล่องกระดาษ ฯลฯ มิฉะนั้นอาจก่อให้เกิดเปลวไฟ
- อย่าให้เครื่องมือโดนฝนหรือหิมะ อย่าล้างเครื่องมือในน้ำ
- อย่านำคีมหนีบ เครื่องมือโลหะ ฯลฯ ไปสัมผัสด้านในของอุปกรณ์นี้
- เมื่อไม่ได้ใช้งานอุปกรณ์ ให้ปิดสวิตช์ และถอดด้ามจับแบตเตอรี่ออกจากอุปกรณ์ทุกครั้ง
- อย่าให้อุปกรณ์ช็อตจากการทำหล่น กระแทก ฯลฯ
- ข้อมูลเพื่อความปลอดภัยสำหรับดวงไฟฟหกพาพร้อมแบตเตอรี่

- การกำจัดแบตเตอรี่ควรปฏิบัติตามข้อกำหนดในท้องถิ่นของคุณว่าด้วยการกำจัดวัตถุอันตราย
 - ห้ามเผาแบตเตอรี่
- ข้อมูลเพิ่มเติมเกี่ยวกับดวงไฟ
 - แหล่งกำเนิดแสงของคอมไฟน์ไม่สามารถทำการเปลี่ยนได้ เมื่อแหล่งกำเนิดแสงถึงอายุการใช้งานจะต้องเปลี่ยนคอมไฟน์ทั้งดวง
 - การใช้งานและการดูแลรักษาแบตเตอรี่
 - คำเตือน: อ่านคำเตือนและคำแนะนำด้านความปลอดภัยทั้งหมด การไม่ปฏิบัติตามคำเตือนและคำแนะนำอาจทำให้เกิดไฟฟ้าช็อตไฟไหม้ และ/หรือได้รับบาดเจ็บสาหัส
 - ป้องกันการเปิดใช้งานเครื่องมือโดยไม่ตั้งใจ ตรวจสอบให้แน่ใจว่าสวิตช์เครื่องมืออยู่ในตำแหน่งปิดก่อนที่จะเชื่อมต่อกับชุดแบตเตอรี่ ก่อนหยิบหรือเคลื่อนย้ายเครื่องมือ การถือเครื่องมือโดยวางนิ้วอยู่บนสวิตช์หรือถือเครื่องมือที่มีการจ่ายกระแสไฟฟ้ที่เปิดสวิตช์อยู่อาจทำให้เกิดอุบัติเหตุได้
 - ปลดชุดแบตเตอรี่ออกจากเครื่องมือก่อนที่จะทำการปรับแต่ง เปลี่ยนเครื่องมือ หรือจัดเก็บ มาตรการรักษาความปลอดภัยเชิงป้องกันดังกล่าวจะช่วยลดความเสี่ยงในการเปิดใช้งานเครื่องมือโดยไม่ตั้งใจ
 - ชาร์จแบตเตอรี่ด้วยเครื่องชาร์จที่ผู้ผลิตระบุเท่านั้น เครื่องชาร์จที่เหมาะสมสำหรับชุดแบตเตอรี่ประเภทหนึ่งอาจสร้างความเสี่ยงต่อการเกิดไฟไหม้หากนำไปใช้กับชุดแบตเตอรี่อีกประเภท
 - ใช้ชุดแบตเตอรี่ที่กำหนดมาให้ใช้กับเครื่องมือเท่านั้น การใช้ชุดแบตเตอรี่อื่นอาจสร้างความเสี่ยงต่อการบาดเจ็บหรือการเกิดไฟไหม้
 - เมื่อไม่ได้ใช้งานชุดแบตเตอรี่ ให้เก็บชุดแบตเตอรี่ให้ห่างจากวัตถุโลหะอื่นๆ เช่นคลิปหนีบกระดาษ เหรียญ กุญแจ ตะปู สกรู หรือวัตถุโลหะขนาดเล็กอื่นๆ ที่สามารถเชื่อมต่อขั้วแบตเตอรี่ขั้วหนึ่งเข้ากับอีกขั้วหนึ่ง การลัดวงจรขั้วแบตเตอรี่พร้อมกันกันอาจทำให้เกิดการไหม้หรือไฟไหม้ได้
 - ภายใต้เงื่อนไขที่เป็นอันตราย อาจมีของเหลวไหลออกมาจากแบตเตอรี่ ให้หลีกเลี่ยงการสัมผัสกับของเหลวนั้น หากสัมผัสกับของเหลวดังกล่าวโดยไม่ตั้งใจ ให้ล้างออกด้วยน้ำ หากของเหลวเข้าตา ให้ติดต่อเพื่อรับความช่วยเหลือทางการแพทย์เพิ่มเติม ของเหลวที่ไหลออกมาจากแบตเตอรี่อาจก่อให้เกิดการระคายเคืองหรือการไหม้
 - ห้ามใช้ชุดแบตเตอรี่หรือเครื่องมือที่เสียหาย หรือถูกปรับแต่ง แบตเตอรี่ที่เสียหายหรือถูกปรับแต่งอาจแสดงพฤติกรรมที่คาดเดาไม่ได้ ซึ่งส่งผลให้เกิดไฟไหม้ การระเบิด หรือความเสียหายต่อการบาดเจ็บ
 - ห้ามนำชุดแบตเตอรี่หรือเครื่องมือไปสัมผัสกับไฟหรืออุณหภูมิที่สูงเกินไป การสัมผัสกับไฟหรืออุณหภูมิที่สูงกว่า 130 °C (265 °F) อาจทำให้เกิดการระเบิด
 - ปฏิบัติตามคำแนะนำในการชาร์จทั้งหมด และอย่าเปลี่ยนแบตเตอรี่หรือเครื่องมือจนกระทั่งอุณหภูมิที่ระบุไว้ในคำแนะนำ การชาร์จอย่างไม่เหมาะสมหรือการชาร์จจนกระทั่งอุณหภูมิที่ระบุไว้ อาจสร้างความเสียหายต่อแบตเตอรี่และเพิ่มความเสี่ยงในการเกิดไฟไหม้
 - ทำการซ่อมแซมโดยช่างซ่อมที่มีคุณสมบัติและใช้ชิ้นส่วนอะไหล่ที่เหมือนกันเท่านั้น เพื่อให้มั่นใจว่าผลิตภัณฑ์ได้รับการรักษาความปลอดภัย
 - ห้ามปรับแต่งหรือซ่อมแซมเครื่องมือหรือชุดแบตเตอรี่ยกเว้นตามที่ระบุในคำแนะนำสำหรับการใช้งานและการดูแลรักษา

10. คำแนะนำด้านความปลอดภัยที่สำคัญสำหรับดัลบ์แบดเตอร์
 - ก่อนที่จะใช้ดัลบ์แบดเตอร์ ให้อ่านคำแนะนำและเครื่องหมายเตือนทั้งหมดที่ (1) เครื่องชาร์จแบดเตอร์ (2) แบดเตอร์ และ (3) ผลิตภัณฑ์ที่ใช้แบดเตอร์
 - ห้ามถอดชิ้นส่วนหรือจัดแ่งดัลบ์แบดเตอร์ เพราะอาจทำให้เกิดไฟไหม้ ความร้อนสูงเกิน หรือระเบิดได้
 - หากระยะเวลาในการทำงานสั้นลงมาก ให้หยุดใช้งานทันที เนื่องจากอาจส่งผลให้เกิดความเสี่ยงจากการมีความร้อนสูงเกินไป การเผาไหม้ หรือแม้แต่การระเบิด
 - หากอิเล็กทรอนิกส์เข้าตา ให้ล้างออกด้วยน้ำสะอาดและไปพบแพทย์ทันที มิฉะนั้นอาจคงตาของคุณอาจสูญเสียการมองเห็น
 - ห้ามลัดวงจรแบดเตอร์
 - อย่าจับเก็บและใช้เครื่องมือและดัลบ์แบดเตอร์ไว้ในสถานที่อุณหภูมิอาจสูงถึงหรือเกินกว่า 50 °C (122 °F)
 - ห้ามตอกตะปู ตัด อัด ขว้าง ทำดัลบ์แบดเตอร์ตกหรือหุบดัลบ์แบดเตอร์ด้วยของแข็ง การทำเช่นนั้นอาจทำให้เกิดไฟไหม้ ความร้อนสูงเกิน หรือระเบิดได้
 - ห้ามใช้แบดเตอร์ที่เสียหาย
 - แบดเตอร์ลิเทียมไอออนที่ใช้ อยู่ภายใต้ข้อกำหนดของกฎหมายว่าด้วยสินค้าอันตราย สำหรับการขนส่งเชิงพาณิชย์เช่น โดยบุคคลที่สาม ตัวแทนในการส่งออก ต้องปฏิบัติตามข้อกำหนดพิเศษเกี่ยวกับบรรจุภัณฑ์และการติดฉลาก สำหรับการเตรียมการจัดส่ง จำเป็นต้องปรึกษาผู้เชี่ยวชาญเรื่องวัสดุที่เป็นอันตราย โปรดศึกษาข้อบังคับของประเทศอย่างละเอียดมากขึ้น ติดเทปหรือปิดจลล์มัสส์ที่เปิดอยู่ และบรรจุแบดเตอร์ในลักษณะที่ไม่สามารถเคลื่อนที่ไปมาได้บรรจุภัณฑ์
 - ใช้แบดเตอร์เฉพาะกับผลิตภัณฑ์ที่ Makita กำหนดไว้เท่านั้น การติดตั้งแบดเตอร์ลงในผลิตภัณฑ์ที่ไม่สอดคล้องกัน อาจทำให้เกิดไฟไหม้ ความร้อนสูงเกิน การระเบิด หรือการรั่วไหลของอิเล็กทรอนิกส์
 - หากไม่ได้ใช้เครื่องมือเป็นระยะเวลานาน ต้องถอดแบดเตอร์ออกจากเครื่องมือ
 - ระหว่างและหลังการใช้งาน ดัลบ์แบดเตอร์อาจมีความร้อนสูงซึ่งอาจทำให้เกิดแผลไหม้หรือการเผาไหม้ที่อุณหภูมิทำได้ ระวังเมื่อต้องสัมผัสกับดัลบ์แบดเตอร์ที่ร้อนจัด
 - ห้ามสัมผัสกับขั้วของเครื่องมือที่หลังการใช้งานเพราะมันอาจร้อนมากพอจะทำให้เกิดแผลไหม้ได้
 - อย่าให้สะเก็ด ฝุ่นผง หรือเศษดินติดอยู่ในขั้ว รู และร่องของดัลบ์แบดเตอร์ เพราะอาจทำให้เครื่องมือหรือดัลบ์แบดเตอร์เสียหายหรือไม่มีประสิทธิภาพได้
 - อย่าใช้ดัลบ์แบดเตอร์ใกล้กับสายไฟแรงดันสูง ยกเว้นหากเครื่องมือนั้นรองรับการใช้ใกล้กับสายไฟแรงดันสูง เพราะอาจทำให้เครื่องมือหรือดัลบ์แบดเตอร์เสียหายหรือทำงานผิดปกติได้
 - เก็บแบดเตอร์ให้พ้นมือเด็ก
11. เคล็ดลับสำหรับการรักษาอายุการใช้งานสูงสุดของแบดเตอร์
 - ชาร์จดัลบ์แบดเตอร์ก่อนที่แบดเตอร์จะหมดโดยสมบูรณ์หยุดการทำงานของเครื่องมือและชาร์จดัลบ์แบดเตอร์ทุกครั้งเมื่อคุณสังเกตเห็นว่ากำลังของเครื่องมือลดลง
 - ให้นำดัลบ์แบดเตอร์ที่ชาร์จเต็มแล้วกลับไปชาร์จใหม่ การชาร์จจากกินไปเป็นการทำให้อายุของแบดเตอร์สั้นลง

- ชาร์จดัลบ์แบดเตอร์ในอุณหภูมิห้องที่ 10 °C - 40 °C (50 °F - 104 °F) ทั้งดัลบ์แบดเตอร์ที่ร้อนให้เย็นลงก่อนที่จะทำการชาร์จ
- เมื่อไม่ใช่ดัลบ์แบดเตอร์ ให้ถอดออกจากเครื่องมือหรือที่ชาร์จ
- เปลี่ยนดัลบ์แบดเตอร์หากคุณไม่ได้ใช้มาเป็นเวลานาน (มากกว่าหกเดือน)

⚠ ข้อควรระวัง: ใช้แบดเตอร์ของแท้จากมากิตะเท่านั้น การใช้แบดเตอร์ที่ไม่ใช่ของ Makita หรือแบดเตอร์ที่ได้รับการดัดแปลง อาจส่งผลให้แบดเตอร์ระเบิดและทำให้เกิดไฟไหม้ รวมถึงการบาดเจ็บและความเสียหายต่อบุคคล และยังทำให้การรับประกันสำหรับเครื่องมือและเครื่องชาร์จของ Makita สิ้นสุดลง

บันทึกค่าเตือนและคำแนะนำทั้งหมดสำหรับการอ้างอิงในอนาคต

รายละเอียดการทำงาน

⚠ ข้อควรระวัง:

- ตรวจสอบให้แน่ใจว่าอุปกรณ์ปิดสวิตช์อยู่และดัลบ์แบดเตอร์ถูกถอดออกไปแล้วก่อนที่จะทำการปรับแต่งหรือตรวจสอบการทำงานของอุปกรณ์

การติดตั้งหรือการถอดดัลบ์แบดเตอร์

⚠ ข้อควรระวัง:

- จับเครื่องมือและดัลบ์แบดเตอร์ให้มั่นคงเมื่อติดตั้งหรือถอดดัลบ์แบดเตอร์ การจับอุปกรณ์และดัลบ์แบดเตอร์อย่างไม่มั่นคงอาจทำให้เกิดการหลุดออกจากมือ และสร้างความเสียหายต่อเครื่องมือและดัลบ์แบดเตอร์ และทำให้ได้รับบาดเจ็บ
- ระวังอย่าให้นิ้วไปติดอยู่ระหว่างเครื่องมือและดัลบ์แบดเตอร์เมื่อใส่ดัลบ์แบดเตอร์ เช่นเดียวกับระหว่างเครื่องมือและฝารอบแบดเตอร์เมื่อปิดฝารอบแบดเตอร์

วิธีการติดตั้งดัลบ์แบดเตอร์ ให้ปลดล๊อคฝารอบ และเปิดฝารอบแบดเตอร์ (Fig. 1)

ใส่ดัลบ์แบดเตอร์เข้าไป จัดล๊อคดัลบ์แบดเตอร์ให้ตรงกับร่องในตัวเรือนและสอดให้เข้าที่ ใส่ดัลบ์แบดเตอร์ทั้งหมดจนล๊อคเข้าที่ด้วยการคลิกเพียงเล็กน้อย หากคุณเห็นตัวบ่งชี้สีแดงที่ด้านบนของปุ่ม แสดงว่าดัลบ์แบดเตอร์ไม่ได้ถูกล๊อคอย่างสมบูรณ์ จากนั้นให้ปิดฝารอบแบดเตอร์

วิธีการถอดดัลบ์แบดเตอร์ ให้เลื่อนดัลบ์แบดเตอร์ออกจากเครื่องมือในขณะที่เลื่อนปุ่มที่ด้านหน้าของดัลบ์ (Fig. 2)

⚠ ข้อควรระวัง:

- ดัดรับแบดเตอร์ให้อยู่ในตำแหน่งเสมอ มิฉะนั้น ดัลบ์แบดเตอร์อาจร่วงออกมาจากเครื่องมือ ทำให้เกิดการบาดเจ็บต่อคุณหรือคนที่อยู่รอบๆ
- อย่าติดตั้งดัลบ์แบดเตอร์โดยใช้กำลังบังคับ หากไม่สามารถเลื่อนดัลบ์ได้อย่างง่ายดาย แสดงว่าใส่ดัลบ์ไม่ถูกต้อง

การระบุความจุของแบตเตอรี่ที่เหลือน้อย (Fig. 3)

(เฉพาะตัวแบตเตอรี่ที่มีตัวแสดงสถานะเท่านั้น)

กดปุ่มตรวจสอบบนตัวแบตเตอรี่เพื่อดูความจุของแบตเตอรี่ที่เหลือ ไฟแสดงสถานะจะติดสว่างเป็นเวลาสั้นๆ

ไฟแสดงสถานะ			ความจุที่เหลือ
ติดสว่าง	ปิด	กะพริบ	
■ ■ ■ ■			75 % ถึง 100 %
■ ■ ■ □			50 % ถึง 75 %
■ ■ □ □			25 % ถึง 50 %
■ □ □ □			0 % ถึง 25 %
▣ □ □ □			ชาร์จแบตเตอรี่
■ ■ □ □	↑ ↓	□ □	แบตเตอรี่อาจชำรุด

หมายเหตุ:

- ขึ้นอยู่กับเงื่อนไขการใช้งานและอุณหภูมิโดยรอบ ข้อมูลของตัวบ่งชี้ อาจแตกต่างจากความจุจริงเล็กน้อย
- ไฟแสดงสถานะดวงแรก (ซ้ายไกล) จะกะพริบเมื่อระบบป้องกันแบตเตอรี่ทำงาน

การใช้แบตเตอรี่ที่ไม่ใช่ของแท้ของ Makita หรือแบตเตอรี่ที่ถูกดัดแปลง จะทำให้การรับประกันสำหรับเครื่องมือและเครื่องชาร์จของ Makita สิ้นสุดลง

การเปิดไฟและการเลือกโหมดความสว่าง (Fig. 4)

- สวิทช์: กดสวิทช์หนึ่งครั้ง ไฟจะติดสว่าง (ด้วยโหมดความสว่างที่ตั้งค่าไว้ล่าสุด) กดสวิทช์อีกครั้ง ไฟจะดับลง
- การเลือกโหมดความสว่าง: ลำดับของความสว่างคือ: โหมดสูง / โหมดกลาง / โหมดต่ำ / โหมดสูงสำหรับกราดแต่ละครั้งเมื่อเปิดไฟอยู่

ระบบป้องกันแบตเตอรี่ (Fig. 5)

เครื่องมือมาพร้อมกับระบบป้องกันแบตเตอรี่เพื่อยืดอายุการใช้งานแบตเตอรี่ เมื่อแบตเตอรี่เหลือพลังงานน้อย ไฟ LED จะดับลง ยกเว้นไฟ LED หนึ่งจุดในรูปภาพ ประมาณ 5 ถึง 10 นาทีต่อมา ระบบจะตัดพลังงานโดยอัตโนมัติ

ป้องกันความร้อนสูงเกิน

เมื่อเครื่องหรือแบตเตอรี่ร้อนเกิน เครื่องจะหยุดโดยอัตโนมัติ ปล่อยให้เครื่องเย็นลงก่อนที่จะเปิดใช้งานอีกครั้ง

การใช้งาน

⚠ ข้อควรระวัง:

- วางเครื่องมือบนจุดที่เรียบและมั่นคงทุกครั้ง มิฉะนั้นเครื่องมืออาจตกลงมาได้

การปรับมุมแสง (Fig. 6)

คลายลูกบิดทั้งสองข้าง ปรับมุมแสง (ระยะการปรับคือ 240°) จากนั้นให้หมุนลูกบิดให้แน่นอีกครั้ง

⚠ ข้อควรระวัง:

ระวังอย่าให้นิ้วไปติดเมื่อทำการปรับมุมแสง

ติดฟิล์มกันแสงสะท้อน (Fig. 8)

อุปกรณ์เสริม

- ก่อนติดฟิล์มกันแสงสะท้อนต้องขจัดสิ่งสกปรกออกจากผิวเลนส์ของเครื่อง
- ใช้ขวดสเปรย์เพื่อทำให้เลนส์ของเครื่องกับพื้นผิวที่ติดฟิล์มกันแสงสะท้อนเปียกอย่างทั่วถึง
- ติดบนใจกลางเลนส์ของเครื่อง
- ใช้แผ่นรีดหรือไม้พายที่ทำจากยางเพื่อดันอากาศออกหรือหยดน้ำระหว่างฟิล์มกับเลนส์
- หลังจากติดเสร็จแล้วให้เช็ดหยดน้ำด้วยผ้าแห้ง

ติดที่ครอบไฟ (Fig. 9)

อุปกรณ์เสริม

เกี่ยวข้องกับยื่นออกมาของที่ครอบไฟลงบนร่องของเครื่องตามแสดงในรูป

การใช้งานพร้อมขาตั้ง (อุปกรณ์เสริม)

⚠ ข้อควรระวัง:

- อ่านคู่มือการใช้งานของอุปกรณ์เสริมอย่างละเอียดก่อนนำมาใช้กับไฟ

คุณสามารถวางไฟบนขาตั้งเพื่ออำนวยความสะดวกในการทำงาน (Fig. 7)

⚠ ข้อควรระวัง:

- ระวังอย่าทำเครื่องมือตกลงมาเมื่อยึดเครื่องมือเข้ากับขาตั้ง
- วางขาตั้งบนระดับและพื้นผิวที่มั่นคงเพื่อป้องกันไม่ให้ล้มลงมา
- ขยายขาแต่ละขาของขาตั้งออกให้สุด
- ห้ามใช้ขาตั้งหากมีลมแรง
- ตรวจสอบให้แน่ใจว่าเครื่องมือถูกยึดกับขาตั้งอย่างปลอดภัย
- ถอดเครื่องมือออกเมื่อยกขาตั้งหรือเมื่อพับขาของขาตั้ง
- ระวังอย่าให้มือของคุณไปติดอยู่กับขาของขาตั้งเมื่อเก็บขาตั้ง

การบำรุงรักษา

⚠ ข้อควรระวัง:

- ตรวจสอบให้แน่ใจเสมอว่าปิดอุปกรณ์แล้วและถอดตัวแบตเตอรี่ออกก่อนที่จะทำการตรวจสอบหรือบำรุงรักษา
 - ห้ามใช้น้ำมันเบนซิน ทินเนอร์ แอลกอฮอล์ หรือสารใกล้เคียง อาจส่งผลให้เกิดการเปลี่ยนสี เปลี่ยนรูป หรือแตกร้าว
- ผู้ใช้ทำการบำรุงรักษาตามคู่มือการใช้งานนี้เท่านั้น งานอื่น ๆ ต้องดำเนินการโดยศูนย์บริการที่ได้รับอนุญาตจาก Makita

การทำความสะดวก

⚠ ข้อควรระวัง:

- อย่าล้างเครื่องมือในน้ำ
เมื่อเวลาผ่านไป ให้เช็ดด้านนอก (ตัวเครื่อง) ของเครื่องมือโดยใช้ผ้าชุบน้ำชุบ

อุปกรณ์เสริม

⚠ ข้อควรระวัง:

- แนะนำให้ใช้อุปกรณ์เสริมหรือเครื่องมือต่อพ่วงเหล่านี้กับเครื่องมือของ Makita ของคุณที่ระบุไว้ในคู่มือนี้ การใช้อุปกรณ์เสริมหรืออุปกรณ์ต่อพ่วงอื่นๆ อาจมีความเสี่ยงต่อการบาดเจ็บต่อบุคคล
ใช้อุปกรณ์เสริมหรืออุปกรณ์ต่อพ่วงตามจุดประสงค์ที่ระบุไว้เท่านั้น

หากคุณต้องการความช่วยเหลือสำหรับรายละเอียดเพิ่มเติมเกี่ยวกับอุปกรณ์เสริมเหล่านี้ โปรดสอบถามศูนย์บริการของ Makita ในพื้นที่ของคุณ

- แบตเตอรี่และเครื่องชาร์จแท้ของ Makita
- ฟิล์มกันแสงสะท้อน
- ที่ครอบไฟ
- ขาดัง [หมายเลขชิ้นส่วน:GM00002073]

หมายเหตุ:

- สิ่งของบางอย่างในรายการอาจไม่ได้อยู่ในชุดเครื่องมือเพื่อใช้เป็นอุปกรณ์มาตรฐาน อุปกรณ์ดังกล่าวอาจแตกต่างกันไปในแต่ละประเทศ

- | | | |
|--------------|-----------|-------------|
| 1. 커버의 잠금 장치 | 2. 배터리 커버 | 3. 표시등 |
| 4. 확인 버튼 | 5. 스위치 | 6. 밝기 모드 선택 |
| 7. 노브 | | |

사양

모델	ML005G
LED	40 개
전원	14.4/18/36 V DC
크기(L × W × H)	248 mm × 309 mm × 296 mm
순 중량	4.6 kg
압력이 가해지는 영역	0.07 m ²
보호 등급	IP65

- 사양은 나라마다 다를 수 있습니다.
- 크기는 핸들이 아래로 내려진 상태의 치수입니다.
- 이 중량에는 배터리 카트리지가 포함되지 않습니다.
- 당사의 지속적인 연구개발로 인해 사양은 예고 없이 변경될 수 있습니다.

사용 가능한 배터리 카트리지 및 사용 시간

전압	사용 가능한 배터리 카트리지	사용 시간(대략)		
		높음	미디엄	낮음
14.4 V	BL1415N	0.5 시간	1.1 시간	2.3 시간
	BL1430B	0.8 시간	1.8 시간	3.5 시간
	BL1440	1.3 시간	2.9 시간	5.9 시간
	BL1460B	1.7 시간	3.8 시간	7.5 시간
18 V	BL1815N	0.7 시간	1.5 시간	3.0 시간
	BL1820B	0.9 시간	2.0 시간	3.5 시간
	BL1830B	1.3 시간	2.7 시간	5.5 시간
	BL1840B	1.8 시간	3.5 시간	7.5 시간
	BL1850B	2.3 시간	4.5 시간	10 시간
	BL1860B	2.7 시간	5.5 시간	12 시간
36 V	BL4020	1.7 시간	3.5 시간	7.0 시간
	BL4025	2.2 시간	4.5 시간	9.5 시간
	BL4040	3.5 시간	7.5 시간	15 시간
	BL4050F	4.0 시간	9.5 시간	18 시간
	BL4080F	7.0 시간	15 시간	30 시간

- 위에 나열된 배터리 카트리지 중 일부는 지역에 따라 판매되지 않을 수 있습니다.
- 사용 시간은 배터리 종류, 충전 상태 및 사용 조건에 따라 달라질 수 있습니다.

⚠경고: 위에 나열된 배터리 카트리지만 사용하십시오. 다른 배터리 카트리지를 사용하면 부상 및/또는 화재를 초래할 수 있습니다.

기호

다음은 본 기기에 사용된 기호입니다.
사용하기 전에 각 기호의 의미를 숙지하십시오.



- 사용 설명서를 읽으십시오.



- EU 국가에서만 해당 장비, 전기 및 전자 장비 폐기물, 축전지 및 배터리에 위험한 부품이 존재하기 때문에 환경과 인체 건강에 부정적인 영향을 미칠 수 있다고 주장합니다. 전기 및 전자 기기 또는 배터리는 절대 생활 폐기물과 함께 폐기하지 마십시오! 전기 및 전자 장비 폐기물, 축전지, 배터리, 축전지 및 배터리 폐기물에 관한 유럽 지침과 적용 국가 국내법에 따라 전기 장비 폐기물, 배터리 및 축전지는 별도로 보관하고 환경 보호 규정에 따라 운영되는 도시 폐기물 수거 장소에 따로 인도해야 합니다. 이에 관하여 장비에서는 X표시가 있는 바퀴 달린 쓰레기통 기호로 표시해 놓았습니다.



- 광 방사(UV 및 IR).
눈이나 피부에의 노출을 최소화하십시오.



- 작동 중인 램프를 응시하지 마십시오.



- 적절한 보호구 또는 보안경을 사용하십시오



- 특별한 주의를 기울이십시오!



중요한 안전 지침

⚠경고: 기기를 사용할 때 화재, 감전 및 부상의 위험을 줄이기 위해 다음과 같은 기본적인 안전 수칙을 준수해야 합니다.

모든 지침을 반드시 읽어주십시오.

1. 조명을 들여다보거나, 조명을 눈에 비추지 마십시오.
눈에 손상을 입을 수 있습니다.
2. 천이나 판지 등으로 램프를 덮지 마십시오. 불이 붙을 수 있습니다.
3. 비 또는 눈에 노출시키지 마십시오. 물에 넣고 담지 마십시오.
4. 기기의 내부를 핀셋, 금속 공구 등으로 접촉하지 마십시오.
5. 기기를 사용하지 않을 때는 항상 전원을 끄고 기기에서 배터리 카트리지를 제거하십시오.
6. 본 기기를 떨어뜨리거나에 부딪쳐서 충격을 주지 마십시오.
7. 배터리를 사용하는 휴대용 조명기기에 대한 안전 정보.
 - 배터리 폐기는 유해 물질 폐기에 관한 현지 규제를 준수해야 합니다.
 - 배터리를 소각하지 마십시오.
8. 조명기에 대한 추가 정보.
 - 이 조명기구의 광원은 교체할 수 없고, 광원의 수명이 다되면 조명기구 전체를 교체해야 합니다.
9. 배터리 공구의 사용 및 관리.
 - 경고: 모든 안전 경고와 지침을 읽어주십시오. 경고와 지침을 준수하지 않으면 감전, 화재 및/또는 심각한 부상을 초래할 수 있습니다.

- 기기가 우발적으로 작동되지 않도록 주의하십시오. 배터리 팩을 설치하거나, 기기를 집어올리거나 운반하기 전에 스위치가 꺼진 위치에 있는지 확인하십시오. 손가락을 스위치 위에 올리고 기기를 옮기거나 스위치가 켜진 상태에서 기기에 전원을 공급하면 사고를 초래할 수 있습니다.
- 기기를 조정하거나, 부속품을 교체하거나, 보관하기 전에 기기에서 배터리 팩을 분리하십시오. 이러한 예방적 안전 조치는 기기가 우발적으로 작동되는 위험을 줄입니다.
- 제조업체에서 지정한 충전기만 사용하여 충전하십시오. 한 종류의 배터리 팩에만 적합한 충전기에 다른 배터리 팩을 사용하면 화재의 위험을 초래할 수 있습니다.
- 기기에 지정된 배터리 팩만 사용하십시오. 다른 배터리 팩을 사용하면 부상 및 화재의 위험을 초래할 수 있습니다.
- 배터리 팩을 사용하지 않을 때는 배터리의 단자를 연결시킬 수 있는 금속의 종이 클립, 동전, 열쇠, 못, 나사 또는 기타 작은 금속 물체를 가까이에 두지 마십시오. 배터리 단자가 단락되면 화재 또는 화상을 초래할 수 있습니다.
- 배터리 오용 시 누액이 발생할 수 있습니다. 이 액체에 접촉하지 마십시오. 우발적으로 접촉한 경우에는 물로 씻어내십시오. 눈에 들어간 경우에는 의사의 진료를 받으십시오. 배터리 누액은 피부 염증 또는 화상을 초래할 수 있습니다.
- 손상되거나 개조된 배터리 팩 또는 기기를 사용하지 마십시오. 손상되거나 개조된 배터리는 예기치 않은 반응을 일으켜 화재, 폭발 또는 부상의 위험을 초래할 수 있습니다.
- 배터리 팩 또는 기기를 불이나 극심한 온도에 노출시키지 마십시오. 불 또는 130 °C(265 °F)가 넘는 온도에 노출시키면 폭발할 수 있습니다.
- 모든 충전 지침을 준수하고 배터리 팩 또는 기기를 지침에 명시된 온도 범위 밖에서 충전하지 마십시오. 적절하지 않게 충전하거나 지정된 온도 범위 밖에서 충전하면 배터리가 손상되고 화재의 위험이 증가할 수 있습니다.
- 반드시 동일한 교체 부품을 사용하여, 자격을 갖춘 수리 기사에게 기기를 서비스 받으십시오. 이 경우에만 제품의 안전을 보장할 수 있습니다.
- 사용 및 관리 지침에 설명된 경우를 제외하고 기기 또는 배터리 팩을 개조하거나 수리하려고 하지 마십시오.
- 10. 배터리 카트리지에 대한 중요한 안전 지침.
 - 배터리 카트리지를 사용하기 전에 모든 지침과 (1) 배터리 충전기, (2) 배터리 및 (3) 배터리를 사용하는 제품의 주의 표시를 모두 읽어주십시오.
 - 배터리 카트리지를 해제하거나 개조하지 마십시오. 화재, 과열 또는 폭발을 초래할 수 있습니다.
 - 사용 시간이 크게 줄어들면 즉시 사용을 중지하십시오. 과열의 위험이 있어 화상을 입거나 심각한 경우 폭발로 이어질 수 있습니다.
 - 전해액이 눈에 들어간 경우에는 즉시 깨끗한 물로 씻고 의사의 진료를 받으십시오. 시력을 잃게 될 수도 있습니다.
 - 배터리 카트리지를 단락시키지 마십시오.
 - 기기 및 배터리 카트리지를 온도가 50 °C (122 °F) 이상으로 올라갈 수 있는 곳에 보관하거나 이러한 환경에서 사용하지 마십시오.
 - 배터리 카트리지를 못으로 고정하거나, 자르거나, 부수거나, 떨어뜨리지 마십시오. 단단한 물체로 배터리 카트리지에 충격을 가하지 마십시오. 이러한 행동은 화재, 과열 또는 폭발을 초래할 수 있습니다.
 - 손상된 배터리를 사용하지 마십시오.

- 포함된 리튬이온 배터리는 위험물안전관리법의 요구 사항이 적용됩니다.
예를 들어 제3자 운송업체의 상업용 운송 수단을 이용할 경우, 포장 및 라벨링에 대한 특정 요구 사항을 준수해야 합니다. 운송할 물품의 준비에 대한 사항은 위험 물질 전문가와 상담해야 합니다 좀 더 구체적인 수 있는 국가 규정도 준수해야 합니다. 개방 접점에 테이프를 붙이거나 가리고 포장 안에서 움직이지 않도록 배터리를 포장해야 합니다.
- Makita에서 지정한 제품에만 배터리를 사용하십시오. 배터리를 호환되지 않는 제품에 설치하면 화재, 과열, 폭발 또는 전해액 누액을 초래할 수 있습니다.
- 기기를 장기간 사용하지 않을 경우에는 기기에서 배터리를 제거해야 합니다.
- 사용하는 동안과 사용한 후에 배터리 카트리지는 뜨거워질 수 있으며 이로 인해 화상 또는 저온 화상을 입을 수 있습니다. 배터리 카트리지를 주의해서 취급하십시오.
- 사용 직후에는 기기의 단자가 화상을 입을 정도로 뜨거워질 수 있으니 만지지 마십시오.
- 배터리 카트리지의 단자, 구멍 및 홈에 부스러기, 먼지 또는 흙이 끼지 않게 하십시오. 기기 또는 배터리 카트리지의 성능이 저하되거나 고장을 초래할 수 있습니다.
- 기기가 고전압 전력선 근처에서의 사용을 지원하지 않으면 배터리 카트리지를 고전압 전력선 근처에서 사용하지 마십시오. 기기 또는 배터리 카트리지의 오작동 또는 고장을 초래할 수 있습니다.
- 배터리를 어린이 손이 닿는 곳에 두지 마십시오.
- 11. 배터리 수명을 최대한 유지하는 방법.
- 배터리 카트리지가 완전히 방전되기 전에 충전하십시오.
기기의 전원이 부족할 것 같으면 기기의 사용을 중지하고 배터리 카트리지를 충전하십시오.
- 완전히 충전된 배터리 카트리지를 재충전하지 마십시오.
과충전은 배터리의 수명을 단축시킵니다.
- 배터리 카트리지를 10 °C - 40 °C (50 °F - 104 °F)의 실온에서 충전하십시오. 뜨거운 배터리 카트리지는 식힌 후에 충전하십시오.
- 배터리 카트리지를 사용하지 않을 때는 기기 또는 충전기에서 제거하십시오.
- 배터리 카트리지를 장기간(6개월 이상) 사용하지 않을 경우에는 충전해서 보관하십시오.

△주의: 정품 Makita 배터리만 사용하십시오. 정품이 아닌 Makita 배터리 또는 개조된 배터리를 사용하면 배터리 파열로 인해 화재, 부상 및 손상을 초래할 수 있습니다. 이 경우에는 Makita 기기 및 충전기에 대한 Makita 보증이 적용되지 않습니다.

향후 참고를 위해 모든 경고와 지침을 잘 보관하십시오.

기능 설명

△주의:

- 기기의 기능을 조정하거나 확인하기 전에 기기가 꺼져 있고 배터리 카트리지가 제거되어 있는지 확인하십시오.

배터리 카트리지 설치 또는 제거

△주의:

- 배터리 카트리지를 설치하거나 제거할 때 기기와 배터리 카트리지를 단단히 잡으십시오.
기기와 배터리 카트리지를 단단히 잡지 않으면 손에서 미끄러져 기기와 배터리 카트리지가 손상되고 부상을 입을 수 있습니다
- 기기와 배터리 카트리지 사이, 그리고 배터리 커버를 닫을 때 기기와 배터리 커버 사이에 손가락이 끼지 않도록 주의하십시오.

배터리 카트리지를 설치하려면 커버의 잠금을 해제하고 배터리 커버를 여십시오. (Fig. 1)

배터리 카트리지를 삽입하십시오. 배터리 카트리지의 돌기를 하우징의 홈에 맞추고 그대로 밀어 넣으십시오. 찰칵하는 작은 소리가 들리고 제자리에 고정될 때까지 끝까지 삽입하십시오. 버튼의 윗면에 빨간 표시가 보이면 완전히 잠기지 않은 것입니다. 배터리 커버를 닫으십시오.
배터리 카트리지를 제거하려면 카트리지의 앞면에 있는 버튼을 밀면서 기기에서 빼내십시오. (Fig. 2)

△주의:

- 배터리 카트리지는 항상 제자리에 완전히 끼워넣어야 합니다. 그렇지 않으면 배터리 카트리지가 우발적으로 기기에서 떨어져나와 사용자나 주변에 있는 사람이 부상을 입을 수 있습니다.
- 배터리 카트리지를 강제로 설치하지 마십시오. 카트리지가 쉽게 들어가지 않으면 제대로 삽입되지 않은 것입니다.

배터리 잔량 표시 (Fig. 3)

(표시등이 있는 배터리 카트리지에만 해당)
배터리 카트리지의 확인 버튼을 누르면 배터리 잔량이 표시됩니다. 표시등이 몇 초간 점등됩니다.

표시등			배터리 잔량
점등	꺼짐	점멸	
■ ■ ■ ■			75% ~ 100%
■ ■ ■ □			50% ~ 75%
■ ■ □ □			25% ~ 50%
■ □ □ □			0% ~ 25%
▣ □ □ □			배터리를 충전하십시오.
■ ■ □ □	↓	□ □ ■ ■	배터리 고장일 수 있습니다.

참고:

- 사용 조건 및 주변 온도에 따라 표시가 실제 배터리 잔량과 약간 다를 수 있습니다.
- 배터리 보호 시스템이 작동하면 첫 번째(맨 왼쪽) 표시등이 깜박입니다.

정품이 아닌 Makita 배터리 또는 개조된 배터리를 사용하면 Makita 기기 및 충전기에 대한 보증이 적용되지 않습니다.

표시등 켜기 및 밝기 모드 선택 (Fig. 4)

1. 스위치를 한 번 누르면 표시등이 켜집니다(마지막 설정과 동일한 밝기 모드로). 스위치를 다시 누르면 표시등이 꺼집니다.
2. 밝기 모드 선택: 밝기 순서: 표시등이 켜져 있을 때 스위치를 누를 때마다 밝기 모드가 높음 모드 / 중간 모드 / 낮음 모드 / 높음 모드 순으로 전환됩니다.

배터리 보호 시스템 (Fig. 5)

기기에 있는 배터리 수명 연장을 위한 배터리 보호 시스템이 내장되어 있습니다. 배터리 잔량이 부족하면 그림과 같이 LED 하나만 남기고 LED 조명이 꺼집니다. 약 5~10분 후에 시스템이 자동으로 전원을 차단합니다.

과열 보호

기구나 배터리가 과열되면 기기가 자동으로 중지됩니다. 기기를 다시 돌리기 전에 완전히 식혀야 합니다.

사용

△주의:

- 기기를 평평하고 안정적인 곳에 설치하십시오. 그렇지 않으면 추락 사고가 발생할 수 있습니다.

조명 각도 조정 (Fig. 6)

양쪽 측면의 노브를 느슨하게 풀어 주십시오. 조명의 각도를 조정하십시오(조정 범위는 240°). 그런 다음 노브를 다시 조이십시오.

△주의:

조명의 각도를 조정할 때 손가락이 끼지 않도록 주의하십시오.

눈부심 방지 필름 부착 (Fig. 8)

옵션 부속품

- 눈부심 방지 필름을 붙이기 전에 기기의 렌즈표면의 먼지를 닦아주십시오.
- 스프레이 병을 사용하여 기기의 렌즈와 눈부심 방지 필름이 부착될 표면을 완전히 적십니다.
- 기기의 렌즈 중앙에 필름을 붙입니다.
- 스퀴지 또는 고무주걱을 사용하여 필름과 렌즈 사이의 공기 또는 물방울을 밀어냅니다.
- 필름을 붙인 후 마른 천으로 물방울을 닦아냅니다.

램프세이드 설치 (Fig. 9)

옵션 부속품

그림에 도시된 바와 같이 램프세이드의 돌출부를 기기의 홈에 걸어줍니다.

삼각대 사용(옵션 부속품)

△주의:

- 부속품을 조명에 사용하기 전에 부속품의 사용 설명서를 주의 깊게 읽어주십시오.
- 편리한 사용을 위해 조명을 삼각대 위에 설치할 수 있습니다. (Fig. 7)

△주의:

- 기기를 삼각대에 장착할 때 기기를 떨어뜨리지 않도록 주의하십시오.
- 삼각대가 넘어지지 않도록 평평하고 안정적인 표면 위에 삼각대를 설치하십시오.
- 삼각대의 다리를 최대한으로 벌리십시오.
- 바람이 세게 불 때 삼각대를 사용하지 마십시오.
- 기기가 삼각대에 단단하게 장착되었는지 확인하십시오.
- 삼각대를 옮기거나 삼각대의 다리를 접을 때는 기기를 제거하십시오.
- 삼각대를 달을 때 삼각대의 다리에 손이 끼지 않도록 주의하십시오.

유지관리

△주의:

- 기기를 점검하거나 정비하기 전에 기기가 꺼져 있고 배터리 카트리지가 제거되어 있는지 확인하십시오.
 - 휘발유, 벤진, 희석제, 알코올 등을 절대 사용하지 마십시오. 변색, 변형 또는 균열이 발생할 수 있습니다.
- 사용자가 수행할 수 있는 유지관리 작업은 이 사용 설명서에 설명된 것 뿐입니다. 그외의 작업은 Makita 공인 서비스 센터에서 수행되어야 합니다.

청소

△주의:

- 기기를 절대 물에 넣고 닦지 마십시오. 때때로 비눗물에 적신 천으로 기기의 외부(기기 본체)만 닦아주십시오.

옵션 부속품

△주의:

- 이러한 부속품 또는 부착물을 이 설명서에 지정된 Makita 기기에 사용할 것을 권장합니다. 다른 부속품 또는 부착물을 사용할 경우 부상의 위험이 있습니다. 부속품 또는 부착물을 명시된 용도로만 사용하십시오.

부속품에 대한 자세한 지원이 필요하면 로컬 Makita 서비스 센터에 문의하십시오.

- Makita 정품 배터리 및 충전기
- 눈부심 방지 필름
- 램프셰이드
- 삼각대 [부품 번호: GM00002073]

참고:

- 목록에 있는 일부 품목은 기본 부속품으로 기기 패키지에 포함되어 있을 수 있습니다. 이것은 나라마다 다를 수 있습니다.

Makita Corporation

3-11-8, Sumiyoshi-cho,
Anjo, Aichi 446-8502 Japan

ML005G-MX-SEA6-CT-KR-2109
GER/CRE

www.makita.com