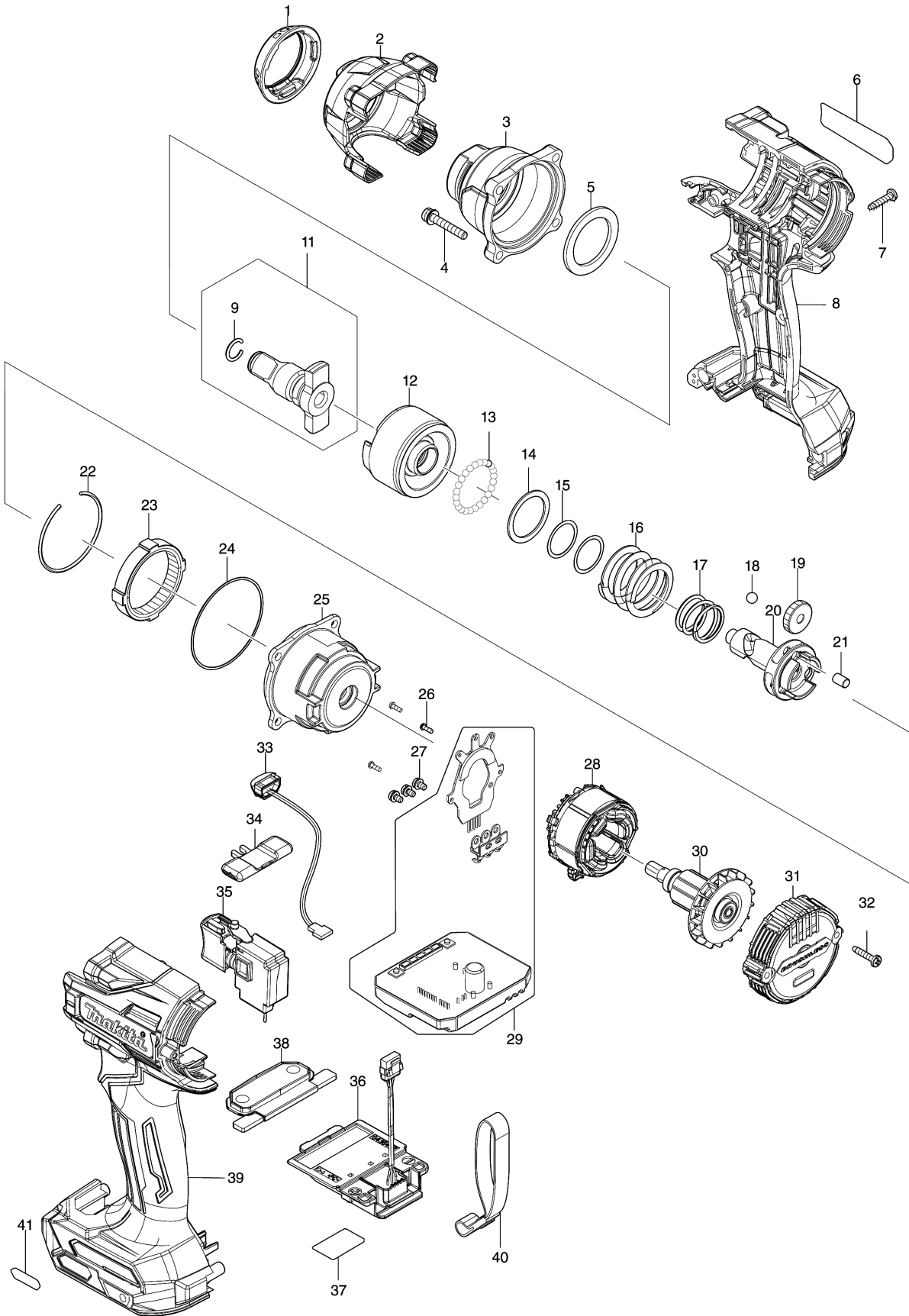


Model No.TW004G CORDLESS IMPACT WRENCH



Model No.TW004G CORDLESS IMPACT WRENCH

Item	Parts No.	Description	I/C	Qty	New/Old	Opt. 1	Opt. 2	Note
001	422584-2	BUMPER		1				
002	412822-0	HAMMER CASE COVER		1				
003	140W13-8	HAMMER CASE COMPLETE		1				
004	265472-8	HEX. SOCKET HEAD BOLT M4X25		4				
005	261154-0	尼龍墊圈32 - DTW281		1				
006	857P12-8	TW004G NAME PLATE		1				
007	266130-9	螺絲M3X16 - 6019DW		8				
008	183R16-9	HOUSING SET		1				
C10	263005-3	橡膠銷6 - 2414B		2				
C20	263032-0	橡膠銷 - HP451D		2				
C30	252126-6	六角鎖緊螺母M4-7 - DBN500		2				
D10		INC. 39						
009	231907-1	彈性環10 - 6905B		1				
011	136272-2	ANVIL E ASS'Y		1	*			
D10		INC. 9			*			
011-1	136357-4	ANVIL E ASS'Y	<	1				
D10		INC. 9						
012	327648-6	HAMMER		1				
013	216001-0	鋼球3.5 - 6800DBV		24				
014	267175-0	平墊圈24 - 6952		1				
015	253343-1	THIN WASHER 18		2	*			
015-1	267106-9	FLAT WASHER 18	<	1				
016	232615-7	COMPRESSION SPRING 25		1				
017	232637-7	COMPRESSION SPRING 18		1	*			
017-1	232682-2	COMPRESSION SPRING 18	<	1				
018	216011-7	鋼球5.6 - HR2210		2				
019	227338-0	直齒圓柱齒輪 - DTW281		3				
020	327573-1	SPINDLE		1	*			
020-1	327689-2	SPINDLE	<	1				
021	268311-1	銷5 - DTW281		3				
022	233910-8	彈性環43 - 6952		1				
023	227337-2	內齒輪51 - DTW281		1				
024	213785-1	O型圈 - DTW281		1				
025	140W14-6	INTERNAL GEAR CASE COMPLETE		1				
026	266490-9	TAPPING SCREW PT 2X6		3				
027	652069-6	十字槽平頭螺絲M3X6 - DTD170		3				
028	629A13-4	STATOR		1				
029	620D69-8	CONTROLLER		1				

Model No.TW004G CORDLESS IMPACT WRENCH

Item	Parts No.	Description	I/C	Qty	New/Old	Opt. 1	Opt. 2	Note
030	619626-3	ROTOR		1				
031	412821-2	REAR COVER		1				
032	266130-9	螺絲M3X16 - 6019DW		2				
033	620521-2	LED回路 - DTD170		1				
034	455053-8	正、反轉換杆 - DTD148		1				
035	651442-7	SWITCH C3JR-1A-1		1				
036	632P49-4	TERMINAL UNIT		1				
037	857P18-6	TW004G SERIAL NO. LABEL		1				
038	140W19-6	SWITCH PLATE COMPLETE		1				
C10	8020J3-8	SWITCH LABEL		1				
039	183R16-9	HOUSING SET		1				
C10	263005-3	橡膠銷6 - 2414B		2				
C20	263032-0	橡膠銷 - HP451D		2				
C30	252126-6	六角鎖緊螺母M4-7 - DBN500		2				
D10		INC. 8						
041	8007R2-2	XGT LOGO LABEL		1				
A01	266622-8	+ TRUSS HEAD SCREW M4X12		1				
A02	346317-0	掛勾 TD133D		1				
A03Y	412393-7	BATTERY COVER		1				
A04Y	191B36-3	BATTERY BL4025 SET		2				
A05Y	***DC40RA	DC40RA FAST CHARGER		1				
D10		COMPO-PARTS						
A06Y	821811-8	PLASTIC CASE		1				
C10	458362-4	LATCH		3				
C20	324679-6	SHAFT		1				
C30	458363-2	HANDLE		1				
A07Y	8021N6-6	TW004GD202 PLASTIC CASE LABEL		2				

Please order the parts with part number.

Print Date 31/5/2021