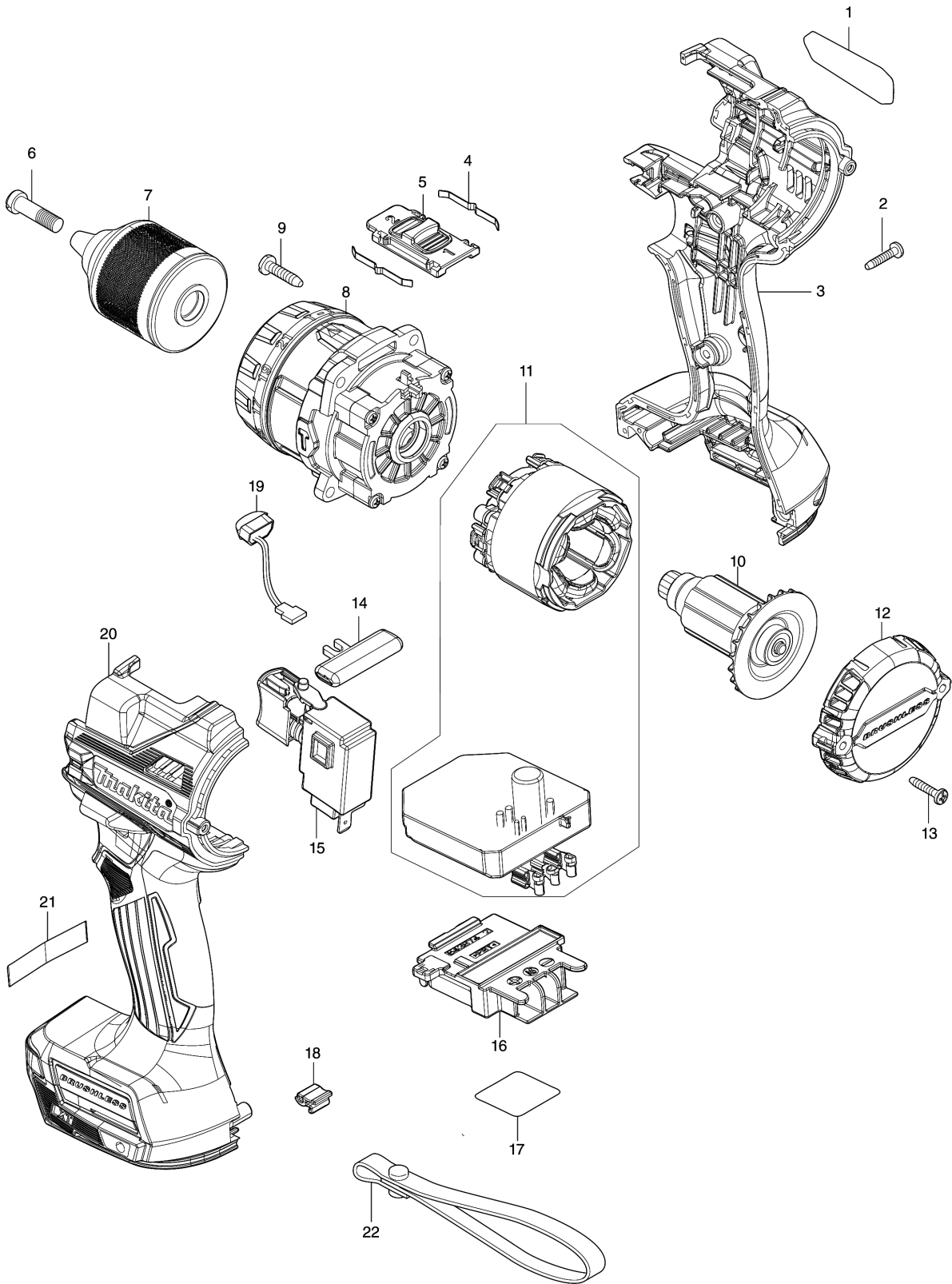


Model No.DHP486 CORDLESS HAMMER DRIVER DRILL



Model No.DHP486 CORDLESS HAMMER DRIVER DRILL

Item	Parts No.	Description	I/C	Qty	New/Old	Opt. 1	Opt. 2	Note
001	811B29-1	DHP486 NAME PLATE		1				
002	266130-9	螺絲M3X16 - 6019DW		7				
003	183R83-4	HOUSING SET		1				
C10	263005-3	橡膠銷6 - 2414B		2				
C20	252126-6	六角鎖緊螺母M4-7 - DBN500		2				
D10		INC. 20						
004	232220-0	片簧 - BHP451		2				
005	127494-5	SPEED CHANGE LEVER ASSEMBLY		1				
C10	233438-6	COMPRESSION SPRING 4		2				
006	251468-5	平頭螺絲M6X22 - MT064		1				
007	763252-1	KEYLESS DRILL CHUCK 13		1				
008	127698-9	GEAR ASSEMBLY		1	*			
008-1	122A92-6	GEAR ASSEMBLY	<	1				
009	266326-2	自攻螺釘4X18 - HR2810		4				
010	619656-4	ROTOR		1				
011	629A33-8	STATOR COMPLETE		1				
012	413405-9	REAR COVER		1				
013	266130-9	螺絲M3X16 - 6019DW		2				
014	419041-9	正、反轉換杆 - BTD140		1				
015	651443-5	SWITCH C3JR-4B		1				
016	643874-2	端子 - DGA413		1				
017	811B36-4	DHP486 SERIAL NO. LABEL		1				
018	424517-3	減震圈 - BHP459		1				
019	620549-0	LED CIRCUIT		1				
020	183R83-4	HOUSING SET		1				
C10	263005-3	橡膠銷6 - 2414B		2				
C20	252126-6	六角鎖緊螺母M4-7 - DBN500		2				
D10		INC. 3						
A01	122576-8	定位套總成 - BHP451		1				
A02	127701-6	GRIP ASSEMBLY		1				
C10	140U91-6	POLE COMPLETE		1				
C20	140X19-2	ARM R COMPLETE		1				
C30	265785-7	THUMB SCREW M5X10		1				
C40	266886-4	HEX. BOLT M8X65		1				
C50	312A63-3	ARM L		1				
C60	931202-6	六角螺母M5		1				
C70	962055-2	RETAINING RING (INT) R-15		1				
A03	251314-2	十字頭螺絲M4X12 - BHP451		2				
A04	346317-0	掛勾 TD133D		1				

Model No.DHP486 CORDLESS HAMMER DRIVER DRILL

Item	Parts No.	Description	I/C	Qty	New/Old	Opt. 1	Opt. 2	Note
A05	452947-8	錐頭座		1				
A06	784637-8	十-字改錐頭2-45		2				
A07Y	821524-1	PLASTIC CARRYING CASE		1				
C10	162302-3	LATCH		2				
C20	325809-2	SHAFT		1				
C30	451749-9	手柄 - HR2601		1				
C40	453473-0	PLASTIC CASE LID		1				
A08Y	***DC18RC	DC18RC FAST CHARGER		1				
A09Y	197280-8	鋰電池BL1850B 18V		2				
A10Y	450128-8	電池膠蓋片18V		1				

Please order the parts with part number.

Print Date 16/4/2021