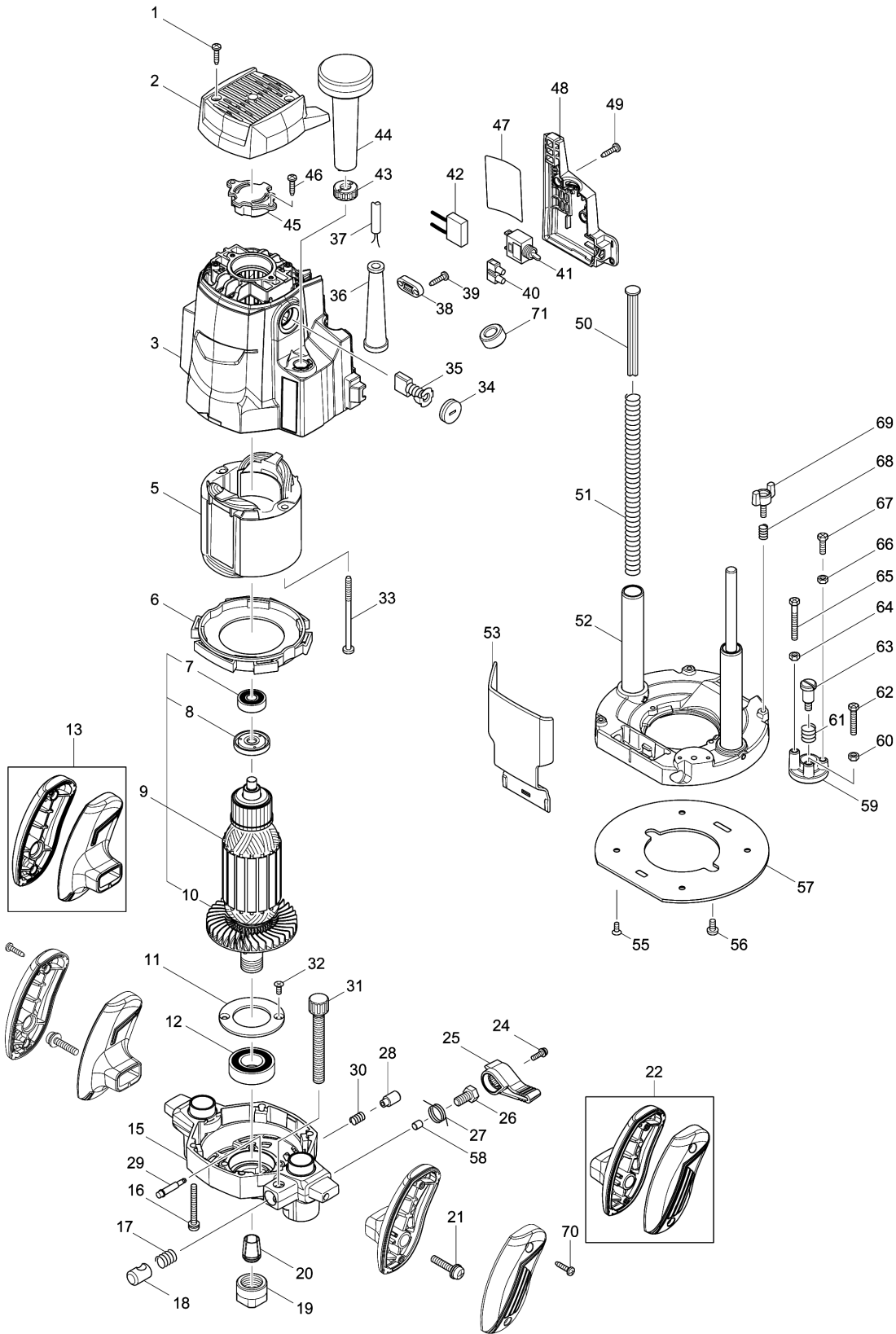


Model No.M3600 ROUTER



## Model No.M3600 ROUTER

Item	Parts No.	Description	I/C	Qty	New/Old	Opt. 1	Opt. 2	Note
001	266326-2	自攻螺釘4X18 - HR2810		2				
002	454025-0	TOP COVER		1				
003	143576-5	機殼 - M3600		1				
C10	643564-7	碳刷 - MT240		2				
C20	816811-1	SCALE LABEL		1				
005	596378-2	FIELD ASSY 220V		1				
C10	654237-7	卡緊彈簧 - MT240		2	*			
C11	654451-5	RING TERMINAL	O	2				
C20	654502-4	連接器P-2		2	*			
C21	654486-6	PARALLEL SPLICE	>	2				
006	418486-8	BAFFLE PLATE		1				
007	211381-9	球軸承629ZZ - MT90		1				
008	681666-1	防塵墊片 - MT360		1				
009	517883-6	轉子220V - MT362		1				
D10		INC. 7,8,10						
010	240069-4	FAN 83		1				
011	285711-0	BEARING RETAINER 50		1				
012	211335-6	BALL BEARING 6004ZZ		1				
013	187514-7	GRIP L SET		1				
015	141868-6	MOTOR BRACKET COMPLETE		1				
016	911268-2	PAN HEAD SCREW M5X45		4				
017	233397-4	COMPRESSION SPRING 11		1				
018	324424-9	HALF NUT		1				
019	763629-0	套筒螺母 - 3600HA		1				
020	763622-4	錐形筒夾1/2" - 3600NBR		1				
021	911353-1	PAN HEAD SCREW M6X30		2				
022	187517-1	GRIP R SET		1				
024	265099-4	盤頭螺絲 M4X14 - GA4030		1				
025	454033-1	LOCK LEVER		1				
026	266335-1	SET BOLT M8X16		1				
027	231670-6	TORSION SPRING 16		1				
028	286270-7	防塵帽11 - MT360		1				
029	256482-6	鎖銷6 - MT360		1				
030	233396-6	COMPRESSION SPRING 7		1				
031	265759-8	THUMB SCREW M10X80		1				
032	265135-6	+ COUNTERSUNK HEAD SCREW M4X10		2				
033	266328-8	TAPPING SCREW 5X80		2				
034	643700-5	碳刷蓋7-18		2				
035	191953-5	碳刷CB-203		1				
036	682540-6	軟線護套10-90 - 2414B		1				
037	692516-5	POWER SUPPLY CORD 1.0-2-2.0		1	*			
037-1	692706-0	POWER SUPPLY CORD 1.0-2-2.0	O	1	*			
037-2	692516-5	POWER SUPPLY CORD 1.0-2-2.0	O	1				
038	687124-5	軟線夾 - MT951		1				

Please order the parts with part number.

Print Date 8/4/2021

## Model No.M3600 ROUTER

Item	Parts No.	Description	I/C	Qty	New/Old	Opt. 1	Opt. 2	Note
039	266326-2	自攻螺釘4X18 - HR2810		2				
041	651425-7	開關 - MT360		1	*			
041-1	651066-9	SWITCH ST115A-TB-S1	O	1				
043	418484-2	尼龍螺母M10 - MT360		1				
044	153764-6	KNOB 50 COMPLETE		1				
045	317747-2	BEARING BOX		1				
046	266326-2	自攻螺釘4X18 - HR2810		2				
047	851Y27-1	M3600 NAME PLATE		1				
048	454027-6	SWITCH COVER		1				
049	266326-2	自攻螺釘4X18 - HR2810		2				
050	418492-3	POLE		1				
051	233456-4	COMPRESSION SPRING 11		2				
052	141867-8	BASE COMPLETE		1				
053	454032-3	CHIP DEFLECTOR		1				
055	265135-6	+ COUNTERSUNK HEAD SCREW M4X10		4				
056	265133-0	+ BINDING HEAD SCREW M5X10		2				
057	454026-8	BASE PLATE		1				
058	324425-7	工作台鎖定銷 - MT360		1				
059	317748-0	STOPPER		1				
060	252137-1	六角螺母M5-8 - 9520B		1	*			
061	233398-2	COMPRESSION SPRING 12		1				
062	265516-4	+ HEX. BOLT M5X28		1	*			
062-1	265587-1	+HEX. BOLT M5X20	S	1				
063	251470-8	- FLAT HEAD SCREW M6		1				
064	252137-1	六角螺母M5-8 - 9520B		1	*			
065	265517-2	+ HEX. BOLT M5X40		1	*			
065-1	265587-1	+HEX. BOLT M5X20	S	1				
066	252137-1	六角螺母M5-8 - 9520B		1	*			
067	265515-6	+ HEX. BOLT M5X16		1	*			
067-1	265586-3	+HEX. BOLT M5X14	S	1				
068	233396-6	COMPRESSION SPRING 7		2				
069	265761-1	THUMB SCREW M5X16		2				
070	266326-2	自攻螺釘4X18 - HR2810		4				
A01	122699-2	TRIMMER GUIDE ASS'Y		1				
A02	122700-3	回定器總成 - MT360		1				
A03	193894-1	DUST COVER SET		1				
A04	345387-6	TEMPLET GUIDE 16		1				
A05	763809-8	COLLET SLEEVE 6.35		1				
A06	763810-3	COLLET SLEEVE 9.53		1				
A07	781034-9	扳手8-24 - MT360		1				
A08	342428-9	直線導件 - 3600BR		1				
A09	733237-1	STRAIGHT BIT 12E		1				

Please order the parts with part number.

Print Date 8/4/2021