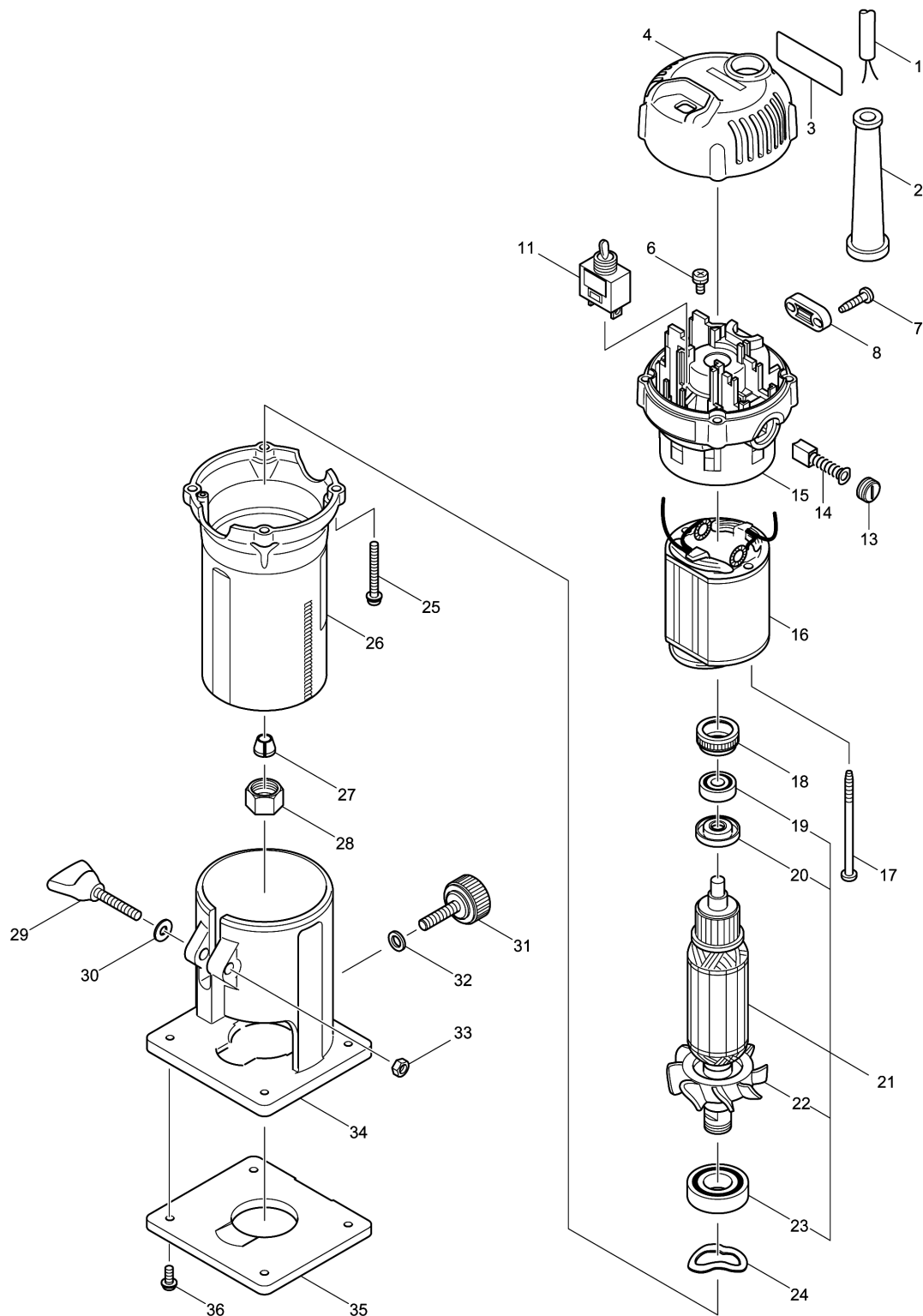


Model No.M3701 TRIMMER



Model No.M3701 TRIMMER

Item	Parts No.	Description	I/C	Qty	New/Old	Opt. 1	Opt. 2	Note
001	666301-2	POWER SUPPLY CORD 1.0-3-2.0		1				
002	682569-2	CORD GUARD 8-85		1				
003	853R15-2	M3701 NAME PLATE		1				
004	458112-7	TOP COVER		1				
006	652014-1	PAN HEAD SCREW M4X8		1				
007	266326-2	TAPPING SCREW 4X18		2				
008	687124-5	STRAIN RELIEF		1				
011	651424-9	SWITCH STL106AT		1				
013	643987-9	BRUSH HOLDER CAP 5-8		2				
014	191940-4	CARBON BRUSH CB-411		1				
015-1	140X51-6	BRACKET COMPLETE		1				
C10	643455-2	BRUSH HOLDER 6X9		2				
016-1	593593-9	FIELD ASS'Y 220V		1				
C10	654450-7	RING TERMINAL		2				
C21	654485-8	PARALLEL SPLICE		2				
017	266340-8	TAPPING SCREW 4X65		2				
018	421868-5	LABYRINTH RUBBER RING 19		1				
019	210062-2	BALL BEARING 607ZZ		1				
020-1	681636-0	INSULATION WASHER		1				
021	510267-7	ARMATURE ASS'Y 220V		1				
D10		INC. 19,20,22,23						
022	241667-7	FAN 52		1				
023	211247-3	BALL BEARING 6002DDW		1				
024	267785-3	WAVE WASHER 23		1				
025-2	266351-3	TAPPING SCREW 4X35		4				
026	153851-1	MOTOR HOUSING COMPLETE		1				
027	763663-0	COLLET CONE 6.35		1				
028	763661-4	COLLET NUT 6		1				
029-1	251867-1	THUMB SCREW M5X30		1				
030	941101-4	FLAT WASHER 5		1				
031	265763-7	THUMB SCREW M6X25		1				
032	941151-9	FLAT WASHER 6		1				
033-1	252156-7	HEX. NUT M5-8		1				
034	411930-4	BASE		1				
035	410585-2	BASE PROTECTOR		1				
036	265142-9	+ PAN HEAD SCREW M4X10		4				
A01	122703-7	TRIMMER GUIDE ASS'Y		1				
C10	251471-6	- FLAT HEAD SCREW M5		1				
C20	265135-6	+ COUNTERSUNK HEAD SCREW M4X10		1				
C30	265763-7	THUMB SCREW M6X25		1				
C40	265764-5	THUMB SCREW M6		1				
C50	317788-8	GUIDE HOLDER		1				
C60	324378-0	ROLLER 11		1				
C71	341136-9	HOOK		1				

Please order the parts with part number.

Print Date 8/4/2021

Model No.M3701 TRIMMER

Item	Parts No.	Description	I/C	Qty	New/Old	Opt. 1	Opt. 2	Note
C80	941151-9	FLAT WASHER 6		1				
A02	122704-5	STRAIGHT GUIDE ASS'Y		1				
C10	252649-4	THUMB NUT M6		1				
C20	266339-3	CAP SQUARE NECK BOLT M6X20		1				
C31	343593-7	GUIDE PLATE		1				
A03-1	343577-5	TEMPLER GUIDE 10		1				
A04	781036-5	WRENCH 10		1				
A05	781037-3	WRENCH 17		1				
A06	418647-0	CHIP DEFLECTOR		1				
A07-1	733244-4	STRAIGHT BIT 6E		1				

Please order the parts with part number.

Print Date 8/4/2021