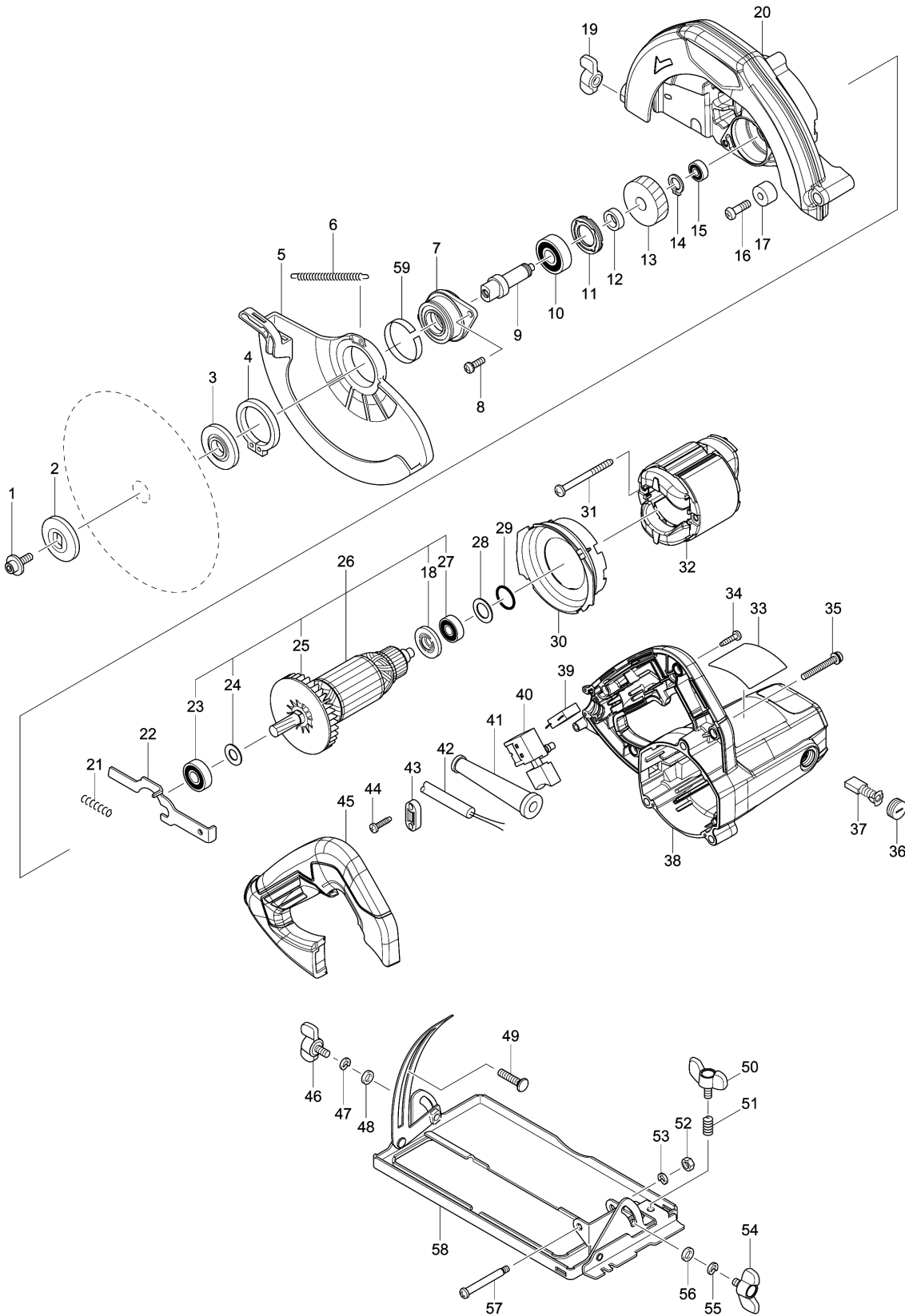


Model No.M5801 185MM CIRCULAR SAW



Model No.M5801 185MM CIRCULAR SAW

Item	Parts No.	Description	I/C	Qty	New/Old	Opt. 1	Opt. 2	Note
001	266819-9	HEX.SOKCET HEAD BOLT M6X20		1				
002	224387-8	OUTER FLANGE 40		1				
003	224386-0	INNER FLANGE 40		1				
004	961155-5	RETAINING RING S-38		1				
005	418150-1	SAFETY COVER		1				
006	231833-4	TENSION SPRING 3		1				
007	318880-3	BEARING BOX		1				
008	265120-9	PAN HEAD SCREW M5X16		2				
009	324320-1	SPINDLE		1				
010	211477-6	BALL BEARING 6201ZZ		1				
011	285852-2	BEARING RETAINER 19-33		1				
012	257173-2	RING 12		1				
013	227768-5	HELICAL GEAR 38		1				
014	961052-5	RETAINING RING S-12		1				
015	210137-7	BALL BEARING 606ZZ		1				
016	265117-8	+PAN HEAD SCREW M6X20		1				
017	262556-3	RUBBER SLEEVE 6		1				
018	681644-1	INSULATION WASHER		1				
019	252649-4	THUMB NUT M6		1				
020	143126-6	BLADE CASE COMPLETE		1				
C10	213445-5	O-RING 26		1				
021	233117-6	COMPRESSION SPRING 6		1				
022	345317-7	SHAFT LOCK		1				
023A	210067-2	BALL BEARING 6000ZZ		1	*			
023-1A	210199-5	BALL BEARING 6000ZZ	O	1				
023-1B	210199-5	BALL BEARING 6000ZZ		1				
024	267256-0	FLAT WASHER 10		1				
025	240064-4	FAN 70		1				
026A	513863-0	ARMATURE ASS'Y 220V		1	*			
D10		INC. 18,23-25,27			*			
026-1A	510423-9	ARMATURE ASS'Y 220V	O	1				
D10		INC. 18,23-25,27						
026-1B	510423-9	ARMATURE ASS'Y 220V		1				
D10		INC. 18,23-25,27						
027	210046-0	BALL BEARING 608ZZ		1				
028	267255-2	FLAT WASHER 14		1				
029	213279-6	O RING 18		1				
030	452092-9	BAFFLE PLATE		1				
031	266329-6	TAPPING SCREW 5X60		2				
032-1	593863-6	FIELD ASS'Y 220V		1				
C10	654220-4	RING TERMINAL		2	*			
C11	654449-2	RING TERMINAL	O	2				
C20	654501-6	CONNECTOR P-1.25		2	*			
C21	654485-8	PARALLEL SPLICE	>	2				
C11	654449-2	RING TERMINAL		2				

Please order the parts with part number.

Print Date 8/4/2021

Model No.M5801 185MM CIRCULAR SAW

Item	Parts No.	Description	I/C	Qty	New/Old	Opt. 1	Opt. 2	Note
C21	654485-8	PARALLEL SPLICE		2				
033	850U99-9	M5801 NAME PLATE		1				
034	266326-2	TAPPING SCREW 4X18		4				
035	265104-7	PAN HEAD SCREW M5X40		3				
036A	644500-6	HOLDER CAP 7X11		2	*			
036-1A	643750-0	BRUSH HOLDER CAP 7-11	O	2				
036-1B	643750-0	BRUSH HOLDER CAP 7-11		2				
037	191963-2	CARBON BRUSH CB-303		1				
038-1A	141718-5	MOTOR HOUSING COMPLETE		1				
038-1B	143979-3	MOTOR HOUSING COMPLETE		1				
C10	644501-4	BRUSH HOLDER 5X11		2				
040	650246-4	SWITCH TN14-3-C01-1		1				
041	682503-2	CORD GUARD 8-90		1				
042	666053-5	POWER SUPPLY CORD 1.0-2-2.0		1				
043	687123-7	STRAIN RELIEF		1				
044	266326-2	TAPPING SCREW 4X18		2				
045-1A	453954-4	HANDLE COVER		1				
045-1B	456955-1	HANDLE COVER		1				
046	265754-8	THUMB SCREW M6X12		1				
047A	942151-2	SPRING WASHER 6		1	*			
047-1A	253428-3	SPRING WASHER 6	O	1	*			
047-2A	942151-2	SPRING WASHER 6	O	1	*			
047-3A	253428-3	SPRING WASHER 6	O	1				
047-3B	253428-3	SPRING WASHER 6		1				
048	941151-9	FLAT WASHER 6		1				
049	266309-2	CAP SQUARE NECK BOLT M6X26		1				
050	265754-8	THUMB SCREW M6X12		1				
051	233376-2	COMPRESSION SPRING 8		1				
052	252175-3	HEX. NUT M5		1				
053A	942101-7	SPRING WASHER 5		1	*			
053-1A	253427-5	SPRING WASHER 5	O	1				
053-1B	253427-5	SPRING WASHER 5		1				
054	265754-8	THUMB SCREW M6X12		1				
055A	942151-2	SPRING WASHER 6		1	*			
055-1A	253428-3	SPRING WASHER 6	O	1	*			
055-2A	942151-2	SPRING WASHER 6	O	1	*			
055-3A	253428-3	SPRING WASHER 6	O	1				
055-3B	253428-3	SPRING WASHER 6		1				
056	941151-9	FLAT WASHER 6		1				
057	265118-6	+ PAN HEAD SCREW M5		1				
058	168370-4	BASE		1				
059	345391-5	THICKNESS RING		1				
A01	164095-8	GUIDE RULE		1				
A02	D-09123	TCT SAW BLADE 185X20X40T		1				

Please order the parts with part number.

Print Date 8/4/2021

Model No.M5801 185MM CIRCULAR SAW

Item	Parts No.	Description	I/C	Qty	New/Old	Opt. 1	Opt. 2	Note
A03	783217-7	HEX. WRENCH 5		1				

Please order the parts with part number.

Print Date 8/4/2021