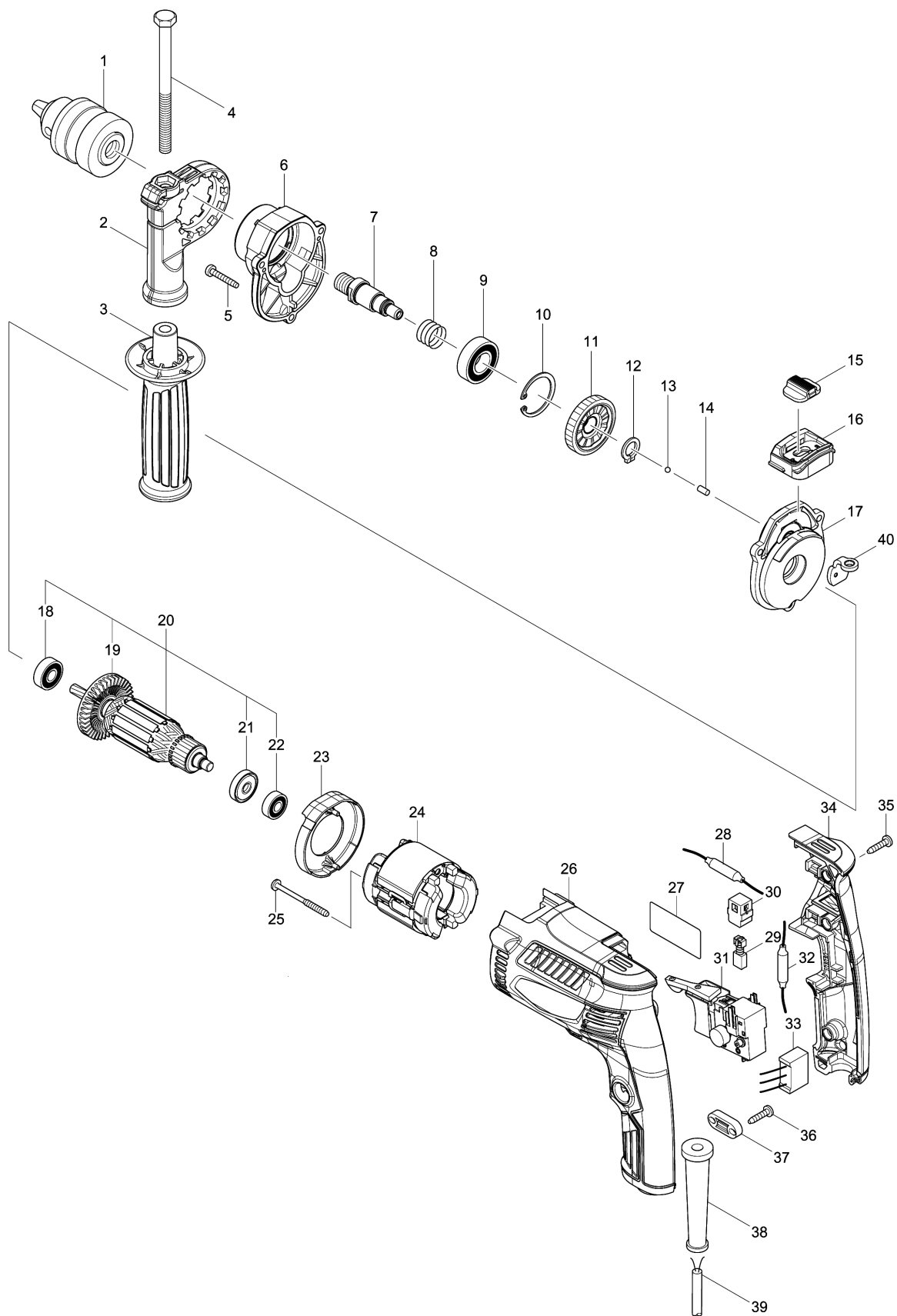


Model No.M8103 13MM HAMMER DRILL



Model No.M8103 13MM HAMMER DRILL

Item	Parts No.	Description	I/C	Qty	New/Old	Opt. 1	Opt. 2	Note
001-1	763232-7	DRILL CHUCK S13		1				
002	454126-4	GRIP BASE		1				
003	142083-5	GRIP 36 COMPLETE		1				
004	265495-6	HEX. BOLT M8X110		1				
005	266374-1	TAPPING SCREW 4X25		3				
006	454115-9	GEAR HOUSING		1				
007-1	327325-0	SPINDLE		1				
008	233330-6	COMPRESSION SPRING 16		1				
009-1	211484-9	BALL BEARING 6002LLB		1				
010	962151-6	RETAINING RING R-32		1				
011	227761-9	HELICAL GEAR 37		1				
012	961052-5	RETAINING RING S-12		1				
013	216001-0	STEEL BALL 3.5		1				
014	256251-5	PIN 4		1				
015	417819-4	CHANGE LEVER		1				
016	456511-7	LEVER CASE		1				
017-1	140K24-1	CAM HOUSING COMPLETE		1				
C11	140K25-9	CAM COMPLETE		1				
018	210005-4	BALL BEARING 608DDW		1				
019	240055-5	FAN 48		1				
020	515868-6	ARMATURE ASS'Y 220V		1				
D10		INC. 18,19,21,22						
021	681652-2	INSULATION WASHER		1				
022-1	211382-7	BALL BEARING 607ZZ		1				
023	456129-4	BAFFLE PLATE		1				
024	593803-4	FIELD ASS'Y 220-240V		1				
C10	654228-8	RECEPTACLE		1				
025	266467-4	TAPPING SCREW 4X50		2				
026	456507-8	MOTOR HOUSING		1				
027	852B10-3	M8103 NAME PLATE		1				
029	191998-3	CARBON BRUSH CB-85		1				
030	643566-3	BRUSH HOLDER 5X8		2				
031	650555-1	SWITCH FA1-3/2BEZ-3		1				
034	456510-9	HANDLE COVER		1				
035	266326-2	TAPPING SCREW 4X18		3				
036	266326-2	TAPPING SCREW 4X18		2				
037	687123-7	STRAIN RELIEF		1				
038	682569-2	CORD GUARD 8-85		1				
039	666257-9	POWER SUPPLY CORD 0.75-2-2.0		1				
040	345836-3	CHANGE PLATE		1				
A01	418163-2	KEY HOLDER 10		1				
A02-1	763235-1	CHUCK KEY S13		1				
A03	415486-9	DEPTH GAUGE		1				

Please order the parts with part number.

Print Date 8/4/2021