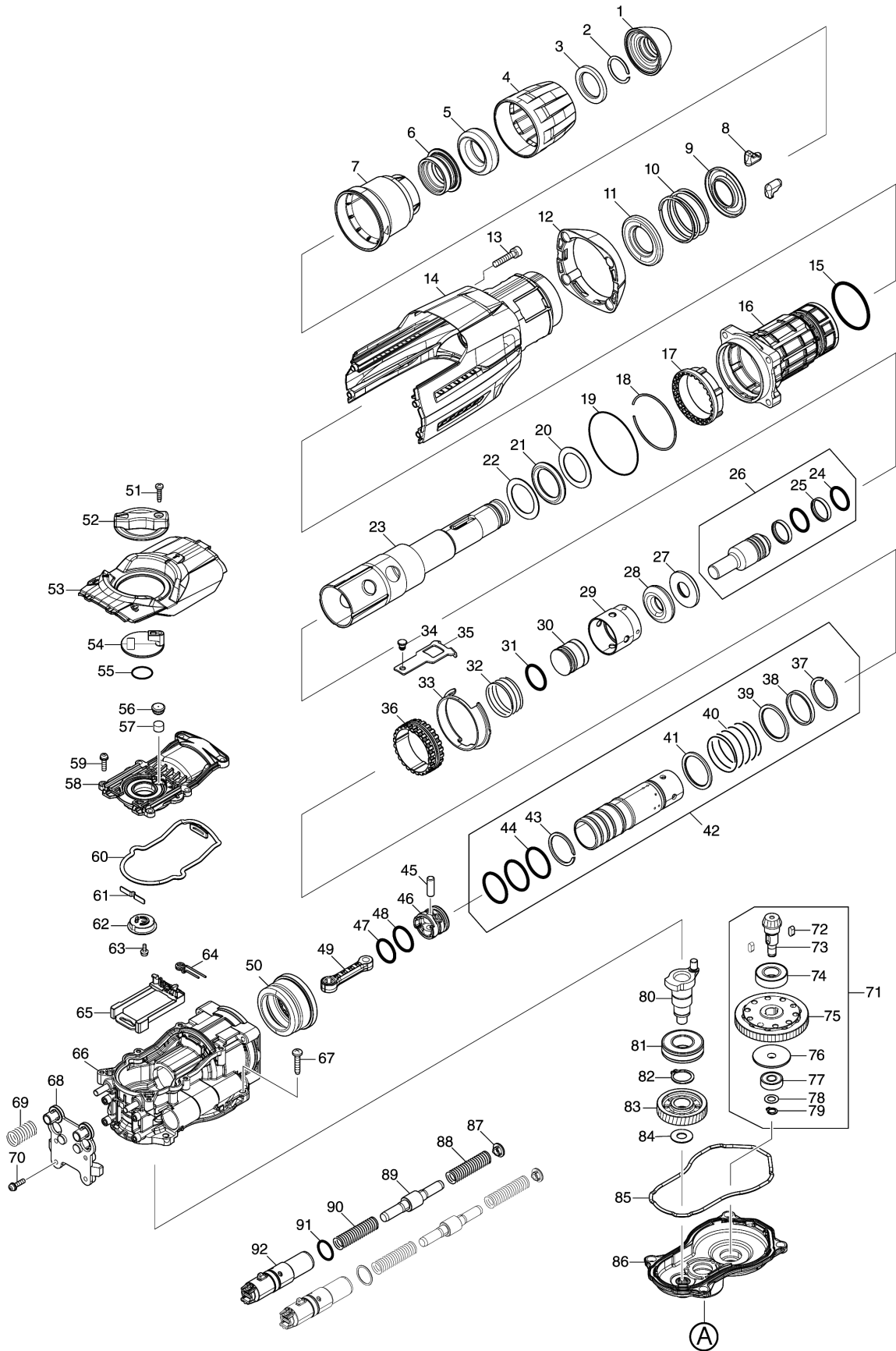
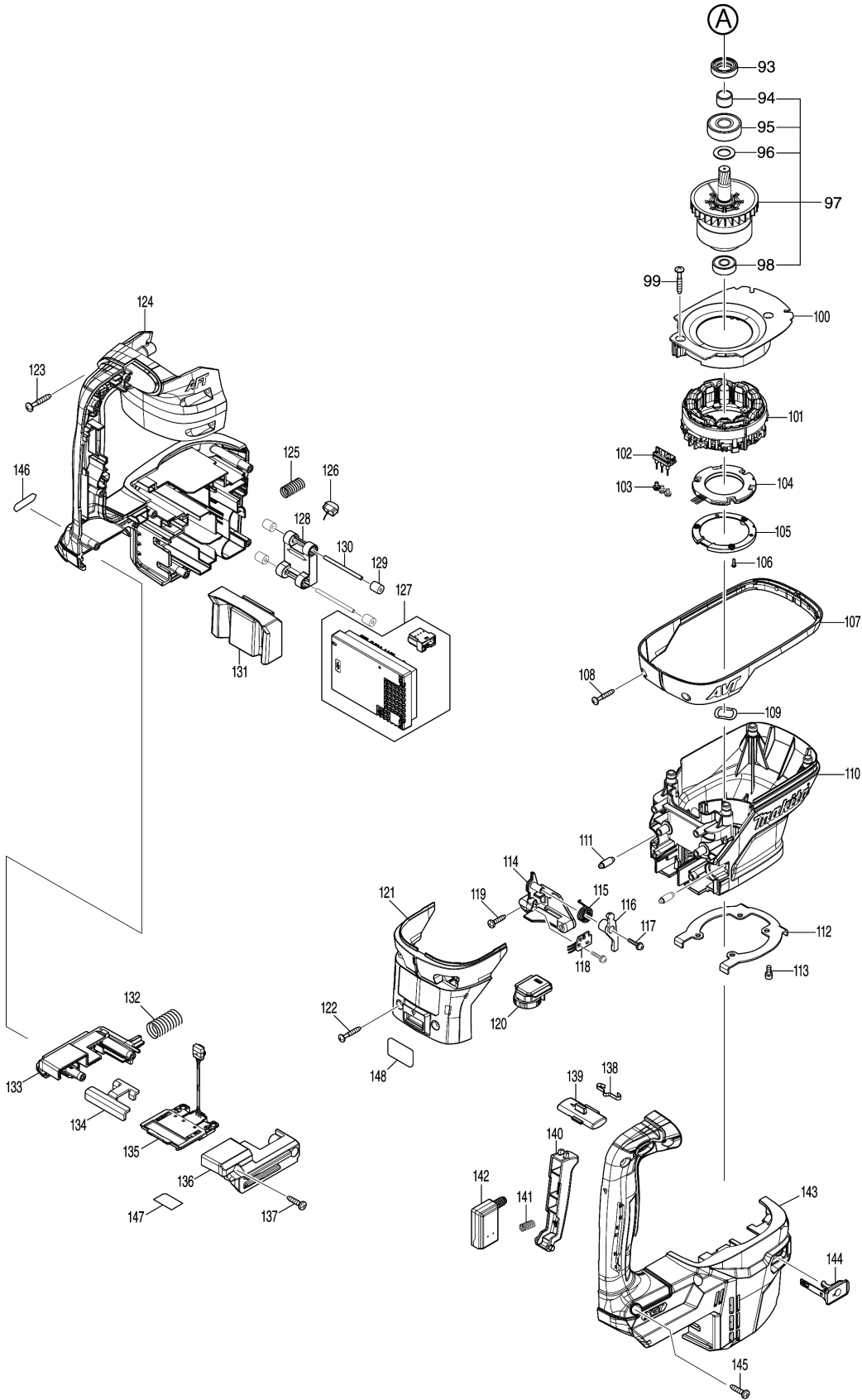


Model No.HR005G 40MM CORDLESS ROTARY HAMMER



Model No.HR005G 40MM CORDLESS ROTARY HAMMER



Model No.HR005G 40MM CORDLESS ROTARY HAMMER

Item	Parts No.	Description	I/C	Qty	New/Old	Opt. 1	Opt. 2	Note
001	286292-7	TOOL HOLDER CAP		1				
002	233948-3	彈性環25 - HR4511C		1				
003	257308-5	RING 28		1				
004	454330-5	CHUCK COVER		1				
005	262167-4	RUBBER RING 30		1				
006	326272-2	CHUCK RING		1				
007	454331-3	RELEASE COVER		1				
008	310257-8	TOOL RETAINER		2				
009	346670-4	SPRING GUIDE		1				
010	234288-2	COMPRESSION SPRING 46		1				
011	346670-4	SPRING GUIDE		1				
012	424560-2	HOUSING CAP		1				
013	922351-0	HEX. SOCKET HEAD BOLT M6X30		4				
014	141957-7	HOUSING COVER A COMPLETE		1				
C10	810100-6	CAUTION LABEL		1				
015	213615-6	O形圈46 - HR3000C		1				
016	141956-9	BARREL COMPLETE		1				
C10	213490-0	OIL SEAL 32		1				
C20	213492-6	O形圈32 - HR5211C		1				
C30	233963-7	RING SPRING 45		1				
017	454337-1	LOCK SLEEVE		1				
018	234290-5	RING SPRING 59		1				
019	213707-1	O RING 65		1				
020	267469-3	FLAT WASHER 32		1				
021	262168-2	RUBBER RING 32		1				
022	267469-3	FLAT WASHER 32		1				
023	326268-3	TOOL HOLDER		1				
024	213317-4	O形圈20 - HR4000C		2				
025	213392-0	氟化物墊圈 25 - HR4000C		2				
026	136377-8	IMPACT BOLT ASSY		1				
D10		INC. 24,25						
027	326274-8	RING 17		1				
028	262166-6	RUBBER RING 18		1				
029	454347-8	SLIDE SLEEVE		1				
030	326270-6	STRIKER		1				
031	213695-2	O-RING 22		1				
032	234289-0	COMPRESSION SPRING 33		1				
033	346673-8	GUIDE RING		1				
034	256548-2	FLAT FILLISTER HEAD PIN 6		1				

Model No.HR005G 40MM CORDLESS ROTARY HAMMER

Item	Parts No.	Description	I/C	Qty	New/Old	Opt. 1	Opt. 2	Note
035	346671-2	LINK PLATE		1				
036	313255-1	DRIVING SLEEVE		1				
037	257991-8	RETAINING RING (EXT) WR-32.5		1				
038	257340-9	RING 33		1				
039	267470-8	FLAT WASHER 33		1				
040	234287-4	COMPRESSION SPRING 34		1				
041	267470-8	FLAT WASHER 33		1				
042	136378-6	CYLINDER ASSY		1				
D10		INC. 37-41,43,44						
043	257991-8	RETAINING RING (EXT) WR-32.5		1				
044	213406-5	O形圈30 - HR4002C		3				
045	256197-5	銷7 - HR4000C		1				
046	419004-5	活塞 - HR4002		1				
047	213379-2	O形圈21 - HR4002		1				
048	213695-2	O-RING 22		1				
049	454317-7	CONNECTING ROD		1				
050	227613-4	SPIRAL BEVEL GEAR 26		1				
051	265995-6	自攻螺釘4X18		1				
052	454326-6	CHANGE LEVER		1				
053	313325-6	CRANK CAP COVER		1				
054	454345-2	CRANK LEVER		1				
055	213262-3	O形圈 - 4100NH		1				
056	424556-3	FILTER CAP		1				
057	443182-9	FILTER		1				
058	454319-3	CRANK CAP		1				
059	911128-8	盤頭螺絲M4X16 - LS1440		6				
060	424559-7	SEAL RING B		1				
061	232280-2	LEAF SPRING		1				
062	458100-4	換擋聯桿 - DHR400		1				
063	911511-9	PAN HEAD SCREW M4X10		1				
064	233603-7	TORSION SPRING 7		1				
065	454338-9	LINK GUIDE		1				
066	141953-5	CRANK HOUSING A COMPLETE		1				
067	266041-8	自更螺絲PT5X25 5277NB		4				
068	140Y51-2	SPRING HOLDER COMPLETE		1				
C10	422646-6	CAP 10		2				
069	234282-4	COMPRESSION SPRING 12		2				
070	911128-8	盤頭螺絲M4X16 - LS1440		4				

Model No.HR005G 40MM CORDLESS ROTARY HAMMER

Item	Parts No.	Description	I/C	Qty	New/Old	Opt. 1	Opt. 2	Note
071	126290-8	TORQUE LIMITER ASSEMBLY		1				
D10		INC. 72-79						
072	254239-9	鍵4 - HR3000C		2				
073	227612-6	SPIRAL BEVEL GEAR 7		1				
074	211232-6	球軸承6002LLU - HK1810		1				
075	141959-3	TORQUE LIMITER COMPLETE		1				
076	324727-1	SHOULDER WASHER 8		1				
077	210005-4	球軸承608DDW - 9901		1				
078	253215-0	平墊圈8		1				
079	961004-6	擋圈S-8		1				
080	326271-4	CRANK SHAFT		1				
081	210183-0	球軸承 6004LLU - DHR400		1				
082	961060-6	擋圈S-20		1				
083	227772-4	HELICAL GEAR 37		1				
084	253180-3	平墊圈10 - 6906		1				
085	424558-9	SEAL RING A		1				
086	141955-1	GEAR HOUSING COMPLETE		1				
087	454342-8	SPRING PLATE		2				
088	234286-6	COMPRESSION SPRING 11		2				
089	326273-0	COUNTER WEIGHT		2				
090	234286-6	COMPRESSION SPRING 11		2				
091	213325-5	O形圈19 - TD0100		2				
092	142289-5	HOLDER COMPLETE		2				
093	213231-4	擋圈 - BHR261		1				
094	331596-3	SLEEVE 12		1				
095	211137-0	球軸承 6201LLU - 4140		1				
096	253744-3	平墊圈12		1				
097	519492-7	轉子 - DHR400		1				
D10		INC. 94-96,98						
098	210005-4	球軸承608DDW - 9901		1				
099	265999-8	自攻螺釘4X25		2				
100	458099-3	擋風板 - DHR400		1				
101	629335-6	定子 - DHR400		1				
102	632R64-0	LEAD UNIT		1				
103	652031-1	PAN HEAD SCREW M3X6		3				
104	620D76-1	CONTROLLER B		1				
105	687B69-9	STOPPER		1				
106	266490-9	TAPPING SCREW PT 2X6		3				
107	454348-6	GUARD 40		1				

Please order the parts with part number.

Print Date 21/1/2021

Model No.HR005G 40MM CORDLESS ROTARY HAMMER

Item	Parts No.	Description	I/C	Qty	New/Old	Opt. 1	Opt. 2	Note
108	265999-8	自攻螺釘4X25		2				
109	267721-9	波形彈性墊圈15 - HR2453		1				
110	458051-1	機殼 - DHR400		1				
111	256380-4	鎖銷 4-6 - DHR400		2				
112	347299-9	導板 - DHR400		1				
113	922111-0	內六角頭螺栓M4X10		4				
114	412951-9	BASE		1				
115	232643-2	TORSION SPRING 13		1				
116	140W56-0	LEVER COMPLETE		1				
117	263046-9	TAPPING SCREW 3X14		2				
118	620D75-3	SENSOR CIRCUIT		1				
119	265995-6	自攻螺釘4X18		2				
120	620796-3	標度盤回路 - DHR400		1				
121	140W55-2	MOTOR HOUSING COVER COMPLETE		1				
C10	422564-8	SPONGE SHEET		1				
122	265999-8	自攻螺釘4X25		2				
123	265999-8	自攻螺釘4X25		4				
124	183R84-2	HOUSING SET		1				
D10		INC. 143						
125	232411-3	壓簧8 - DHR400		1				
126	620549-0	LED CIRCUIT		1				
127	620D73-7	CONTROLLER		1				
128	620D74-5	ACCELEROMETER CIRCUIT		1				
129	422472-3	SPONGE SLEEVE 3		4				
130	256886-2	ROD 3		2				
131	422642-4	CUSHION RUBBER		1				
132	232650-5	COMPRESSION SPRING 13		1				
133	183R85-0	BATTERY HOLDER SET		1				
C10	263005-3	橡膠銷6 - 2414B		2				
D10		INC. 136						
134	346039-2	支持板塊 - BUH550		1				
135	632P49-4	TERMINAL UNIT		1				
136	183R85-0	BATTERY HOLDER SET		1				
C10	263005-3	橡膠銷6 - 2414B		2				
D10		INC. 133						
137	265995-6	自攻螺釘4X18		2				
138	232152-1	片簧 - HR2600		1				
139	412953-5	TRIGGER LOCK		1				
140	458097-7	開關拉桿 - DHR400		1				
141	232418-9	壓簧5 - DHR400		1				
142	651083-9	SWITCH C3XA-1PSPM		1				

Please order the parts with part number.

Print Date 21/1/2021

Model No.HR005G 40MM CORDLESS ROTARY HAMMER

Item	Parts No.	Description	I/C	Qty	New/Old	Opt. 1	Opt. 2	Note
143	183R84-2	HOUSING SET		1				
D10		INC. 124						
144	140F99-0	蓋 - DGA701/DGA901		1				
C10	213218-6	O型圈 - HM1306		1				
C20	818H07-8	CAP LABEL		1				
145	265995-6	自攻螺釘4X18		8				
146	8012U4-2	XGT LOGO LABEL		1				
147	857X76-0	HR005G SERIAL NO. LABEL		1				
148	857X71-0	HR005G NAME PLATE		1				
A01	123138-5	SIDE GRIP ASSEMBLY		1				
A02	196792-8	SIDE HANDLE 73 SET		1				
A03	194683-7	油杯 - DHR263		1				
A04	821837-0	PLASTIC CASE		1				
A05	331955-1	DEPTH GAUGE		1				
A06	443122-7	CLOTH		1				
A08Y	412393-7	BATTERY COVER		2				
A09Y	191B26-6	BATTERY BL4040 SET		2				
A10Y	***DC40RA	DC40RA FAST CHARGER		1				
D10		COMPO-PARTS						

Please order the parts with part number.

Print Date 21/1/2021