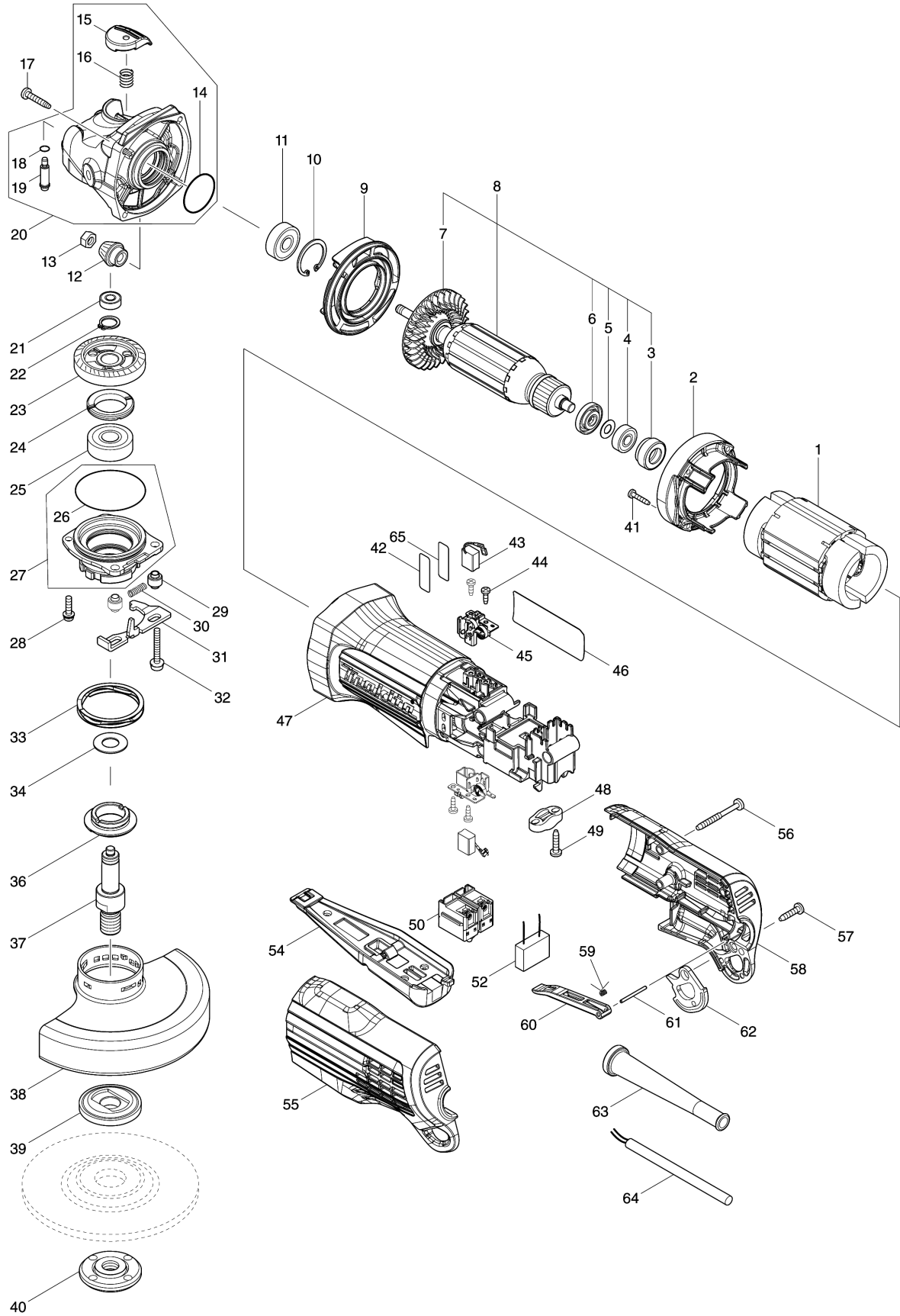


Model No.GA5050 125MM ANGLE GRINDER



Model No.GA5050 125MM ANGLE GRINDER

Item	Parts No.	Description	I/C	Qty	New/Old	Opt. 1	Opt. 2	Note
001Y	634733-1	FIELD		1				
001Z	634731-5	FIELD		1				
002	459003-5	BAFFLE PLATE		1				
003	422413-9	RUBBER RING 19		1				
004	210017-7	球軸承607DDW - BJR240		1				
005	253186-1	平墊圈 - HR2610		1				
006	681636-0	絕緣墊圈 - 9520B		1				
007	240197-5	FAN60		1				
008Y	518361-9	ARMATURE ASS'Y 220V		1				
008Z	517991-3	ARMATURE ASS'Y 115V		1				
D10		INC. 3-7						
009	459004-3	DIFFUSER		1				
010	962105-3	擋圈R-26 - GA4030		1				
011	211092-6	球軸承629DDW - UB1101		1				
012	226858-1	SPIRAL BEVEL GEAR 10		1				
013	252186-8	六角螺母M6 - GA4030		1				
014	213445-5	O形圈26 - MT950		1				
015	459006-9	PIN CAP		1				
016	232491-9	COMPRESSION SPRING 9		1				
017	266324-6	自攻螺釘4X22 - GA4030		4				
018	213877-6	O-RING 6		1				
019	256594-5	SHOULDER PIN 6		1				
020	136144-1	GEAR HOUSING B ASS'Y		1				
C10	263002-9	橡膠銷4 - 63004		1				
D10		INC. 14-16,18,19						
021	210033-9	球軸承696ZZ - GA4030		1				
022	961052-5	擋圈S-12		1				
023	226859-9	SPIRAL BEVEL GEAR 37		1				
024	285039-6	BEARING RETAINER 23-33		1				
025	211129-9	球軸承6201DDW - 3600		1				
026	213624-5	O形圈48 - GA6010		1				
027	136141-7	BEARING BOX A ASS'Y		1				
D10		INC. 26			*			
D11		INC. 26,66						
028	911128-8	盤頭螺絲M4X16 - LS1440		2				
029	327322-6	SLEEVE 4		2				
030	232490-1	COMPRESSION SPRING 4		1				
031	347475-5	LEVER		1				
032	911159-7	PAN HEAD SCREW M4X30		2				
033	232542-8	SCROW WAVE SPRING 41		1	*			
034	267238-2	平墊圈12 - 9555NB		1				
036	319789-2	PLATE RETAINER 20		1				

Please order the parts with part number.

Print Date 6/1/2021

Model No.GA5050 125MM ANGLE GRINDER

Item	Parts No.	Description	I/C	Qty	New/Old	Opt. 1	Opt. 2	Note
037	327241-6	SPINDLE		1				
038	347480-2	WHEEL COVER 125		1				
039	224490-5	INNER FLANGE 14-45		1				
040	224485-8	鎖緊螺母14-45 - GA7060R		1				
041	266429-2	自攻螺釘3X16 - TD0100		4				
042	856E22-6	GA5050 SERIAL NO. LABEL		1				
043Y	191D85-2	CARBON BRUSH SET CB-260		1				
043Z	191D84-4	CARBON BRUSH SET CB-258		1				
044	266007-8	自攻螺釘PT3X10		4				
045	643541-9	BRUSH HOLDER		2				
046	856E20-0	GA5050 NAME PLATE		1				
047	458999-7	MOTOR HOUSING		1				
048Y	687123-7	軟線壓板 - MT922		1				
048Z	687140-7	STRAIN RELIEF		1				
049	266326-2	自攻螺釘4X18 - HR2810		2				
050Y	650579-7	開關1246.3223 - DGA402		1	*			
050Z	651396-8	SWITCH FPC-2115S-0-03		1				
050-1Y	651396-8	SWITCH FPC-2115S-0-03	<	1				
052	632N93-9	CAPACITOR UNIT		1				
054	162540-7	SWITCH LEVER COMPLETE		1				
C10	231679-8	扭簧2 - DGA404		1				
C20	459007-7	LOCK OFF LEVER		1	*			
C21	412971-3	LOCK OFF LEVER	<	1				
C30	951019-1	SPRING PIN 2-20		1				
055	183M68-0	REAR COVER SET		1				
D10		INC. 58						
056	266048-4	凸緣自攻螺釘PT4X40		3				
057	266326-2	自攻螺釘4X18 - HR2810		1				
058	183M68-0	REAR COVER SET		1				
D10		INC. 55						
059	232492-7	TORSION SPRING 2		1				
060	459005-1	SWITCH LINK LEVER		1				
061	256595-3	PIN 2		1				
062	347476-3	STRAP RING		1				
063Y	682559-5	軟線護套8-110 - 6826		1				
063Z	682566-8	軟線護套10 - HR2452		1				
064Y	692021-2	軟線 - 9520NB		1				
064Z	695217-4	POWER SUPPLY CORD 1.5-2-2.5		1				
065	807G78-4	CLEAR LABEL		1				

Model No.GA5050 125MM ANGLE GRINDER

Item	Parts No.	Description	I/C	Qty	New/Old	Opt. 1	Opt. 2	Note
066	213789-3	O形圈38 - HR5212C		1				
A01	158237-4	手柄36 - DGA404		1				
A02	782423-1	鎖緊扳手35 - GA6010		1				
E01Z	655030-2	PLUG UK TYPE 16A- 4H/110V		1				

Please order the parts with part number.

Print Date 6/1/2021