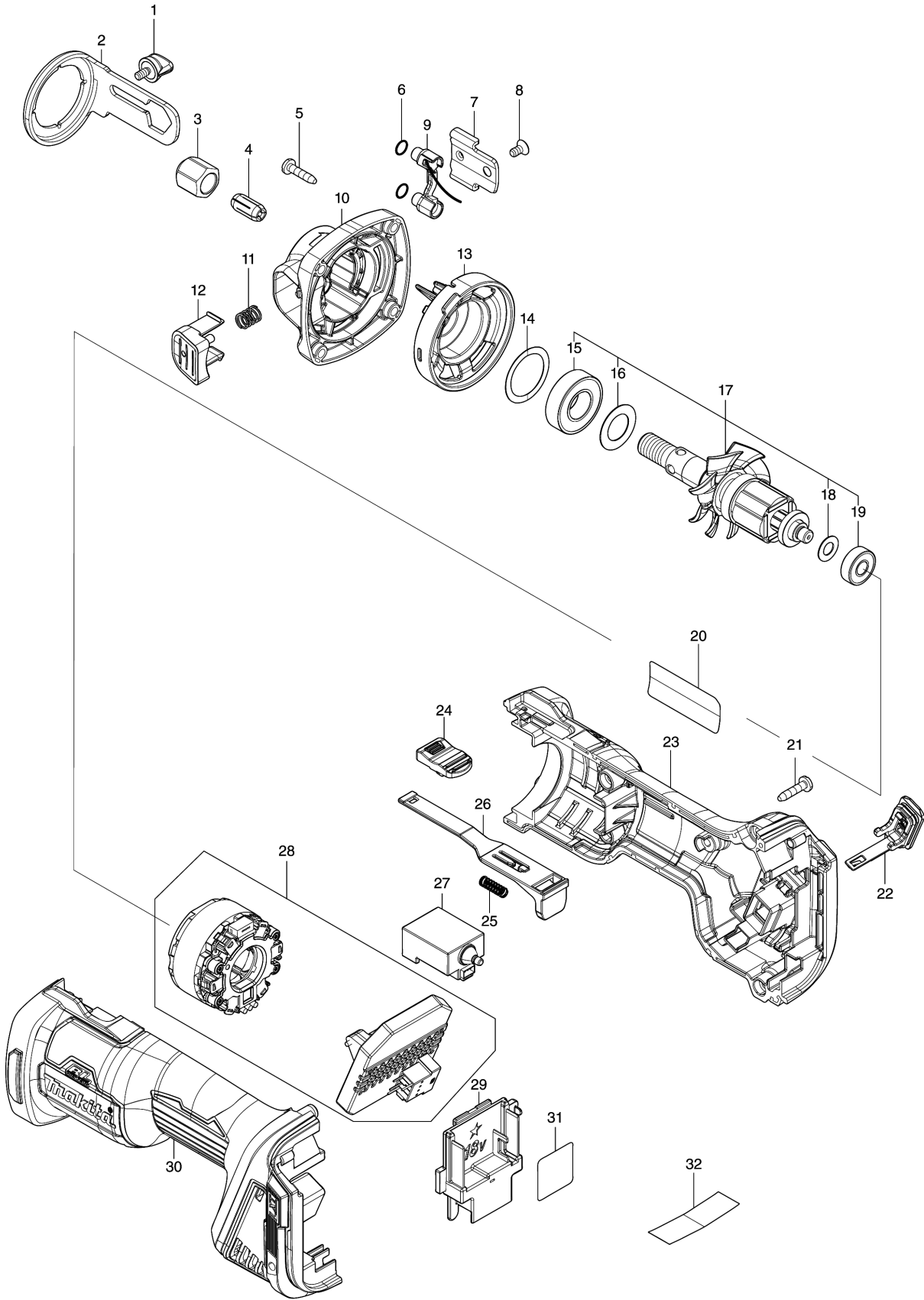


Model No.DCO181 CORDLESS CUT-OUT TOOL



Model No.DCO181 CORDLESS CUT-OUT TOOL

Item	Parts No.	Description	I/C	Qty	New/Old	Opt. 1	Opt. 2	Note
001	266898-7	THUMB SCREW M4X8		1				
002	346796-2	SHOE PLATE		1				
003	763258-9	COLLET NUT		1				
004	763677-9	錐形筒夾3.18 - DCO180		1				
005	266326-2	自攻螺釘4X18 - HR2810		4				
006	213048-5	O型圈6 - SG1250		2				
007	346795-4	SHOE SUPPORT		1				
008	265085-5	+ COUNTERSUNK HEAD SCREW M4X8		1				
009	620D25-8	LED CIRCUIT		1				
010	140V89-9	BEARING BOX COVER COMPLETE		1				
011	234332-5	COMPRESSION SPRING 7		1				
012	412727-4	SHAFT LOCK		1				
013	412702-0	BEARING BOX		1	*			
013-1	412702-0	BEARING BOX	O	1				
014	267785-3	波形彈性墊圈23 - MT370		1				
015	211236-8	球軸承6002DDW - LS1216		1				
016	267164-5	平墊圈15 - MT922		1				
017	519636-9	ROTOR ASS'Y		1				
D10		INC. 15,16,18,19						
018	253186-1	平墊圈 - HR2610		1				
019	210017-7	球軸承607DDW - BJR240		1				
020	857P76-2	DCO181 NAME PLATE		1				
021	266326-2	自攻螺釘4X18 - HR2810		5				
022	140G30-2	CAP COMPLETE		1				
C10	213218-6	O型圈 - HM1306		1				
023	183R26-6	HOUSING SET		1				
C10	263005-3	橡膠銷6 - 2414B		2				
C20	252126-6	六角鎖緊螺母M4-7 - DBN500		1				
D10		INC. 30						
024	455447-7	開關按鈕 - DGA404		1				
025	233121-5	壓簧4 - 9556NB		1				
026	412233-9	SWITCH LEVER		1				
027	651445-1	SWITCH FPM-1130		1				
028	629A08-7	STATOR COMPLETE		1				
029	643874-2	端子 - DGA413		1				
030	183R26-6	HOUSING SET		1				
C10	263005-3	橡膠銷6 - 2414B		2				
C20	252126-6	六角鎖緊螺母M4-7 - DBN500		1				

Model No.DCO181 CORDLESS CUT-OUT TOOL

Item	Parts No.	Description	I/C	Qty	New/Old	Opt. 1	Opt. 2	Note
D10		INC. 23						
031	857P84-3	DCO181 SERIAL NO. LABEL		1				
A01	193449-2	集塵蓋 - 3706		1				
A02	191G69-8	DRYWALL GUIDE BIT 3.18 SET		2				
A04	781037-3	扳手17		1				

Please order the parts with part number.

Print Date 6/1/2021