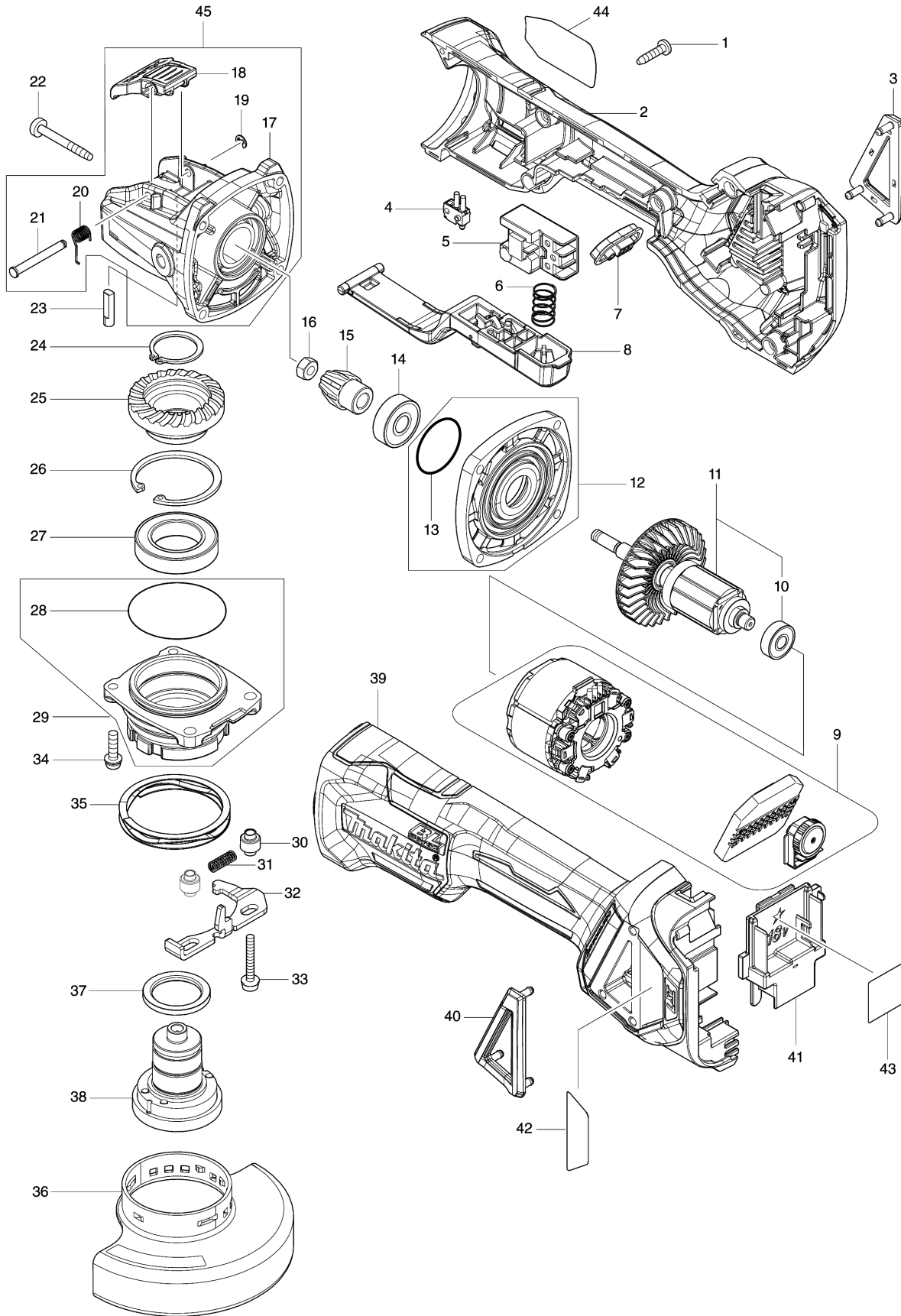


Model No.DGA419 100MM CORDLESS ANGLE GRINDER



Model No.DGA419 100MM CORDLESS ANGLE GRINDER

Item	Parts No.	Description	I/C	Qty	New/Old	Opt. 1	Opt. 2	Note
001	266326-2	自攻螺釘4X18 - HR2810		5				
002	183H86-8	機殼 - DGA417		1				
C10	263005-3	橡膠銷6 - 2414B		2				
D10		INC. 39						
003	455450-8	防塵罩(右) - DGA404		1				
004	632E12-1	開關 - DGA405		1				
005	650734-1	開關TG73BDS - DGA405		1				
006	234357-9	壓簧11		1				
007	142901-7	電子指示板 - DGA404		1				
008	142976-6	開關拉桿 - DGA405		1				
009	629304-7	定子連控制器 - DGA417		1				
010	210169-4	球軸承607LLB - MT964		1				
011	510440-9	ROTOR ASS'Y		1				
D10		INC. 10						
012	135930-7	齒輪箱蓋 - DGA418		1				
D10		INC. 13						
013	213445-5	O形圈26 - MT950		1				
014	210042-8	球軸承629LLB - BGA402		1				
015	226950-3	SPIRAL BEVEL GEAR 10		1				
016	252186-8	六角螺母M6 - GA4030		1				
017	140N76-0	GEAR HOUSING COMPLETE		1				
018	459967-3	LEVER		1				
019	961017-7	擋圈E-3		1				
020	232576-1	TORSION SPRING 5		1				
021	256935-5	HEADED PIN 4		1				
022	266361-0	自攻螺釘4X30 - HP1631		4				
023	327460-4	SHAFT		1				
024	961104-2	RETAINING RING S-24		1				
025	226951-1	SPIRAL BEVEL GEAR 37		1				
026	962201-7	RETAINING RING (INT) R-42		1				
027	210208-0	BALL BEARING 6905DDW		1				
028	213622-9	O形圈 - DGA404		1				
029	136199-6	BEARING BOX ASS'Y		1				
D10		INC. 28						
030	327322-6	SLEEVE 4		2				
031	232490-1	COMPRESSION SPRING 4		1				
032	347615-5	LEVER		1				
033	911159-7	PAN HEAD SCREW M4X30		2				
034	911138-5	盤頭螺絲M4X20		2				
035	232577-9	SCROW WAVE SPRING 49		1				
036	347616-3	WHEEL COVER 100		1				

Please order the parts with part number.

Print Date 27/7/2020

Model No.DGA419 100MM CORDLESS ANGLE GRINDER

Item	Parts No.	Description	I/C	Qty	New/Old	Opt. 1	Opt. 2	Note
037	327459-9	RING 25		1				
038	127428-8	SPINDLE ASSEMBLY		1				
039	183H86-8	機殼 - DGA417		1				
C10	263005-3	橡膠銷6 - 2414B		2				
D10		INC. 2						
040	455449-3	防塵罩(左) - DGA404		1				
041	643874-2	端子 - DGA413		1				
042	816D93-9	INDICATION LABEL		1				
043	856R49-4	DGA419 SERIAL NO. LABEL		1				
044	856R47-8	DGA419 NAME PLATE		1				
045	136209-9	GEAR HOUSING ASS'Y		1				
D10		INC. 17-21						
A01	158237-4	手柄36 - DGA404		1				
A02	E-00496	GRINDING WHEEL INOX 100 X-LOCK		1				
A03Y	450128-8	電池膠蓋片18V		2				
A04Y	***DC18RC	DC18RC FAST CHARGER		1				
D10		COMPO-PARTS						
A05Y	197280-8	鋰電池BL1850B 18V		2				
A06Y	821551-8	萬用連結塑膠箱 395X295X210MM		1				
C10	453974-8	連結箱扣		4				
A07Y	8009B1-4	DGA419RTJ INDICATION LABEL		1				
A08Y	8009B2-2	DGA419RTJ PLASTIC CASE LABEL		2				
A09Y	839252-4	INNER TRAY		1				

Please order the parts with part number.

Print Date 27/7/2020