



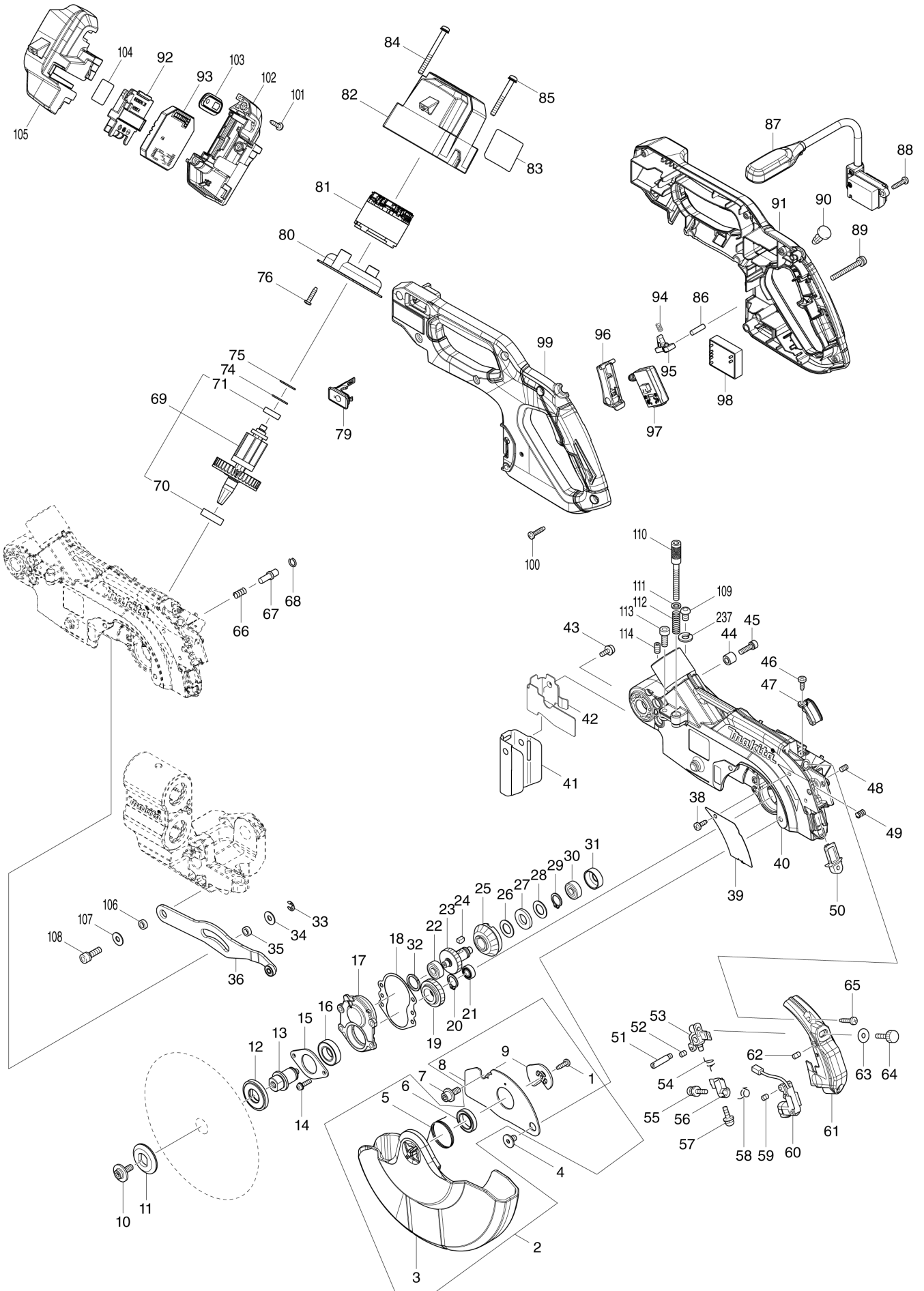
| | |
|----|--|
| MO | |
|----|--|

Diagram / Parts List

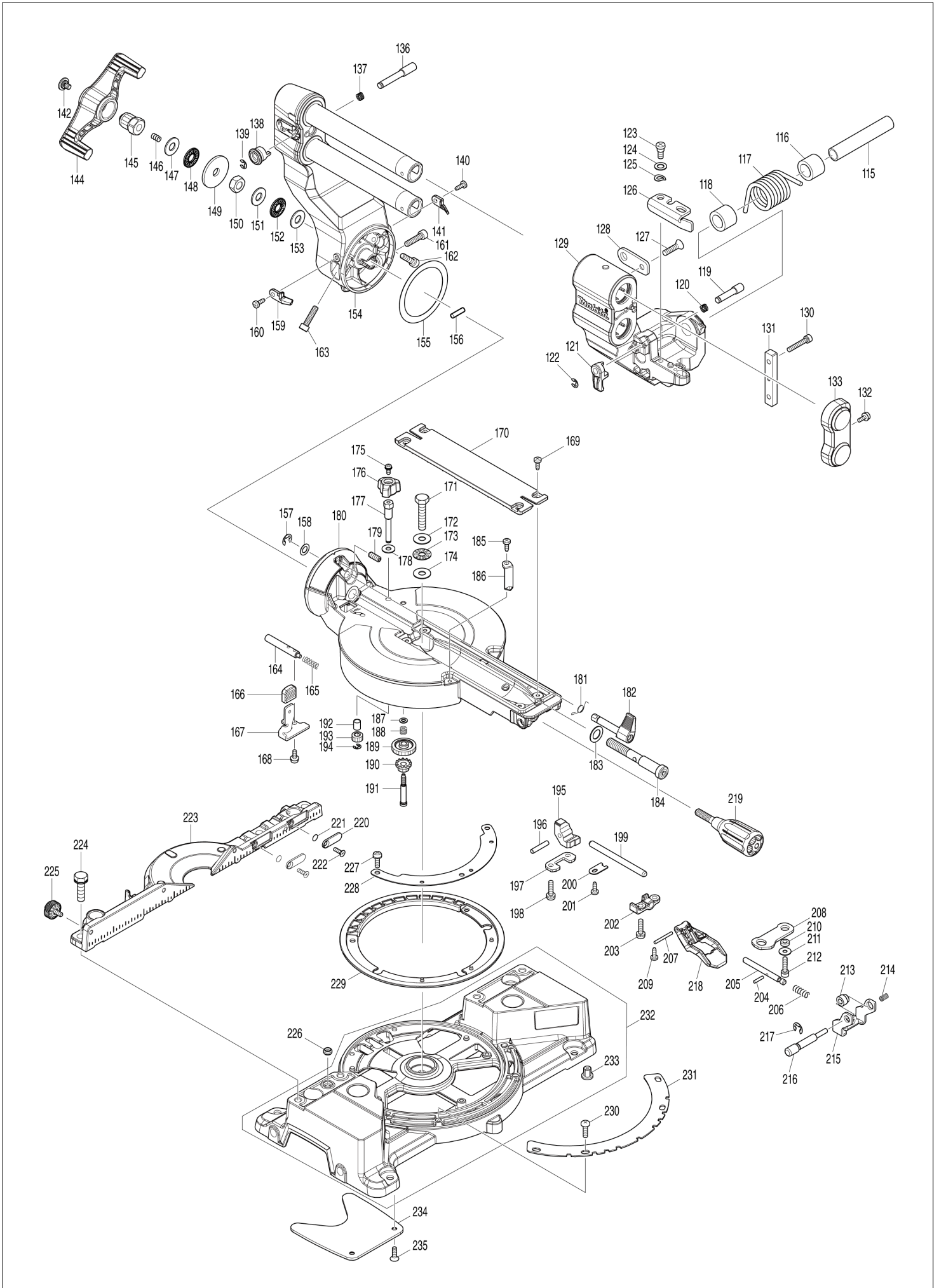
DLS610

165MM DC SLIDE CPD. MITER SAWW

(MO) DLS610 / 165MM DC SLIDE CPD. MITER SAWW



(MO) DLS610 / 165MM DC SLIDE CPD. MITER SAWW



MO

DLS610 / 165MM DC SLIDE CPD. MITER SAWW

| Item | Sub | Parts No. | Parts Description | Qty | I/C | E/C No. | Close No. | Remark |
|------|-----|-----------|-------------------------------|-----|-----|---------|-----------|--------|
| 001 | | 266192-7 | TAPPING SCREW 4X14 | 1 | | | | |
| 002 | | 136152-2 | SAFETY COVER ASSY | 1 | | | | |
| | D10 | | INC. 1,3,5,6,8,9 | | | | | |
| 003 | | 459734-6 | SAFETY COVER | 1 | | | | |
| 004 | | 265985-9 | HEX.SOCKET HEAD BOLT M6 | 1 | | | | |
| 005 | | 232311-7 | TORSION SPRING 30 | 1 | | | | |
| 006 | | 210150-5 | BALL BEARING 6803DDW | 1 | | | | |
| 007 | | 266732-1 | HEX. SOCKET HEAD BOLT M6X16 | 1 | | | | |
| 008 | | 347060-4 | CENTER COVER | 1 | | | | |
| 009 | | 347059-9 | CENTER PLATE | 1 | | | | |
| 010 | | 266733-9 | HEX. S.F.H. BOLT M6X16 | 1 | | | | |
| 011 | | 224409-4 | OUTER FLANGE 35 | 1 | | | | |
| 012 | | 224593-5 | INNER FLANGE 35 | 1 | | | | |
| 013 | | 327451-5 | SPINDLE | 1 | | | | |
| 014 | | 911128-8 | P.H.SCREW M4X16 WITH WR | 4 | | | | |
| 015 | | 285037-0 | BEARING RETAINER 46 | 1 | | | | |
| 016 | | 211239-2 | BALL BEARING 6902DDW | 1 | | | | |
| 017 | | 319888-0 | BEARING BOX | 1 | | | | |
| 018 | | 442152-5 | GASKET | 1 | | | | |
| 019 | | 226943-0 | HELICAL GEAR 37 | 1 | | | | |
| 020 | | 961055-9 | RETAINING RING S-15 | 1 | | | | |
| 021 | | 210006-2 | BALL BEARING 696ZZ | 1 | | | | |
| 022 | | 211021-9 | BALL BEARING 607LLB | 1 | | | | |
| 023 | | 226944-8 | HELICAL GEAR 34 | 1 | | | | |
| 024 | | 254011-9 | WOODRUFF KEY 4 | 1 | | | | |
| 025 | | 226945-6 | SPIRAL BEVEL GEAR 41 | 1 | | | | |
| 026 | | 253744-3 | FLAT WASHER 12 | 1 | | | | |
| 027 | | 261104-5 | RUBBER WASHER 12 | 1 | | | | |
| 028 | | 253744-3 | FLAT WASHER 12 | 1 | | | | |
| 029 | | 961052-5 | RETAINING RING S-12 | 1 | | | | |
| 030 | | 211021-9 | BALL BEARING 607LLB | 1 | | | | |
| 031 | | 424605-6 | RUBBER RING 19 | 1 | | | | |
| 032 | | 261153-2 | URETHAN WASHER 15 | 2 | | | | |
| 033 | | 961018-5 | STOP RING E-5 | 1 | | | | |
| 034 | | 253804-1 | FLAT WASHER 6 | 1 | | | | |
| 035 | | 257163-5 | RING 6 | 1 | | | | |
| 036 | | 140P43-7 | LINK PLATE COMPLETE | 1 | | | | |
| 038 | | 266026-4 | TAPPING SCREW BIND CT 4X12 | 1 | | | | |
| 039 | | 346171-2 | COVER PLATE | 1 | | | | |
| 040 | | 140V43-3 | BLADE CASE COMPLETE | 1 | | | | |
| | C10 | 263002-9 | RUBBER PIN 4 | 3 | | | | |
| | C20 | 263005-3 | RUBBER PIN 6 | 1 | | | | |
| | C30 | 322316-6 | LINK SHAFT | 1 | | | | |
| 041 | | 424045-8 | GUARD | 1 | | | | |
| 042 | | 345438-5 | GUARD PLATE | 1 | | | | |
| 043 | | 911113-1 | PAN HEAD SCREW M4X10 WITH WR | 1 | | | | |
| 044 | | 257955-2 | SLEEVE 5 | 1 | | | | |
| 045 | | 922226-3 | HEX. SOCKET HEAD BOLT M5X18 | 1 | | | | |
| 046 | | 266026-4 | TAPPING SCREW BIND CT 4X12 | 1 | | | | |
| 047 | | 458075-7 | LEAD COVER | 1 | | | | |
| 048 | | 266229-0 | H.S.SET SCREW(CUP POINT)M5X8 | 1 | | | | |
| 049 | | 233471-8 | COMPRESSION SPRING 6 | 1 | | | | |
| 050 | | 418104-8 | LENS | 1 | | | | |
| 051 | | 266306-8 | SHOULDER SCREW M5 | 1 | | | | |
| 052 | | 266318-1 | H.S.SET SCREW(FLAT POINT)M4X6 | 2 | | | | |
| 053 | | 419379-2 | BLOCK C | 1 | | | | |
| 054 | | 231664-1 | TORSION SPRING 9 | 2 | | | | |
| 055 | | 911003-8 | PAN HEAD SCREW M3X6 | 2 | | | | |
| 056 | | 419378-4 | BLOCK B | 1 | | | | |
| 057 | | 911003-8 | PAN HEAD SCREW M3X6 | 2 | | | | |
| 058 | | 231664-1 | TORSION SPRING 9 | 2 | | | | |
| 059 | | 266318-1 | H.S.SET SCREW(FLAT POINT)M4X6 | 2 | | | | |
| 060 | | 638442-4 | LASER CIRCUIT COMPLETE | 1 | | | | |
| 061 | | 140344-7 | LASER COVER COMPLETE | 1 | | | | |
| | C10 | 810354-5 | LASER BEAM LABEL | 1 | | | | |

Interchange
O : Yes
X : No
< : the new part can be substituted for the current.
> : the current part can be substituted for the new.
S : Interchangeable as a set.

MO

DLS610 / 165MM DC SLIDE CPD. MITER SAWW

| Item | Sub | Parts No. | Parts Description | Qty | I/C | E/C No. | Close No. | Remark |
|------|-----|-----------|--------------------------------|-----|-----|---------|-----------|--------|
| 062 | | 266229-0 | H.S.SET SCREW(CUP POINT)M5X8 | 1 | | | | |
| 063 | | 253807-5 | FLAT WASHER 5 | 1 | | | | |
| 064 | | 265753-0 | THUMB SCREW M5X24 | 1 | | | | |
| 065 | | 266042-6 | TAPPING SCREW BIND CT 4X20 | 2 | | | | |
| 066 | | 231240-1 | COMPRESSION SPRING 7 | 1 | | | | |
| 067 | | 256633-1 | PIN 6 | 1 | | | | |
| 068 | | 231928-3 | RING SPRING 8 | 1 | | | | |
| 069 | | 519588-4 | ROTOR ASSY | 1 | | | | |
| | D10 | | INC. 70,71 | | | | | |
| 070 | | 211131-2 | BALL BEARING 6001DDW | 1 | | | | |
| 071 | | 210017-7 | BALL BEARING 607DDW | 1 | | | | |
| 074 | | 253842-3 | FLAT WASHER 14 | 1 | | | | |
| 075 | | 261153-2 | URETHAN WASHER 15 | 2 | | | | |
| 076 | | 265995-6 | TAPPING SCREW 4X18 | 2 | | | | |
| 079 | | 140F99-0 | CAP COMPLETE | 1 | | | | |
| | C10 | 213218-6 | O RING 16 | 1 | | | | |
| | C20 | 818H07-8 | CAP LABEL | 1 | | | | |
| 080 | | 459933-0 | BAFFLE PLATE | 1 | | | | |
| 081 | | 629445-9 | STATOR | 1 | | | | |
| 082 | | 459729-9 | MOTOR HOUSING | 1 | | | | |
| 083 | | 856H70-3 | DLS610 NAME PLATE | 1 | | | | |
| 084 | | 911278-9 | PAN HEAD SCREW M5X55 | 2 | | | | |
| 085 | | 911268-2 | PAN HEAD SCREW M5X45 | 2 | | | | |
| 086 | | 256123-4 | PIN 5 | 1 | | | | |
| 087 | | 620C12-1 | LED CIRCUIT | 1 | | | | |
| 088 | | 265995-6 | TAPPING SCREW 4X18 | 2 | | | | |
| 089 | | 911268-2 | PAN HEAD SCREW M5X45 | 1 | | | | |
| 090 | | 417113-4 | SWITCH BUTTON | 1 | | | | |
| 091 | | 183N04-2 | HANDLE SET | 1 | | | | |
| | D10 | | INC. 99 | | | | | |
| 092 | | 643874-2 | TERMINAL | 1 | | | | |
| 093 | | 620B45-0 | CONTROLLER | 1 | | | | |
| 094 | | 231026-3 | COMPRESSION SPRING 4 | 1 | | | | |
| 095 | | 416533-9 | LOCK OFF LEVER | 1 | | | | |
| 096 | | 459966-5 | SWITCH LEVER | 1 | | | | |
| 097 | | 651083-9 | SWITCH C3XA-1PSPM | 1 | | | | |
| 098 | | 620551-3 | POWER SUPPLY CIRCUIT | 1 | | | | |
| 099 | | 183N04-2 | HANDLE SET | 1 | | | | |
| | D10 | | INC. 91 | | | | | |
| 100 | | 265995-6 | TAPPING SCREW 4X18 | 6 | | | | |
| 101 | | 265995-6 | TAPPING SCREW 4X18 | 3 | | | | |
| 102 | | 183N05-0 | BATTERY HOUSING SET | 1 | | | | |
| | C10 | 263005-3 | RUBBER PIN 6 | 2 | | | | |
| | D10 | | INC. 105 | | | | | |
| 103 | | 140P59-2 | INDICATION PLATE COMPLETE | 1 | | | | |
| | C10 | 8003Y6-9 | INDICATION LABEL | 1 | | | | |
| 104 | | 856H74-5 | DLS610 SERIAL NO. LABEL | 1 | | | | |
| 105 | | 183N05-0 | BATTERY HOUSING SET | 1 | | | | |
| | C10 | 263005-3 | RUBBER PIN 6 | 2 | | | | |
| | D10 | | INC. 102 | | | | | |
| 106 | | 257163-5 | RING 6 | 1 | | | | |
| 107 | | 253804-1 | FLAT WASHER 6 | 1 | | | | |
| 108 | | 922331-6 | HEX. SOCKET HEAD BOLT M6X20 | 1 | | | | |
| 109 | | 265B23-9 | H.S. BUTTON HEAD BOLT M6X12 | 1 | | | | |
| 110 | | 265A93-2 | HEX SCKET HEAD BOLT M6X50 | 1 | | | | |
| 111 | | 941152-7 | FLAT WASHER 6 | 1 | | | | |
| 112 | | 233343-7 | COMPRESSION SPRING 7 | 1 | | | | |
| 113 | | 266757-5 | HEX. SOCKET HEAD BOLT M6X16 | 1 | | | | |
| 114 | | 251961-9 | H.S.SET SCREW(FLAT POINT)M6X10 | 1 | | | | |
| 115 | | 331350-5 | PIN 16-90 | 1 | | | | |
| 116 | | 416535-5 | SLEEVE 17 | 2 | | | | |
| 117 | | 233520-1 | TORSION SPRING 28 | 1 | | | | |
| 118 | | 416535-5 | SLEEVE 17 | 2 | | | | |
| 119 | | 327450-7 | LOCK PIN 7-9 A | 1 | | | | |
| 120 | | 234316-3 | COMPRESSION SPRING 7 | 1 | | | | |

Interchange
O : Yes
X : No
< : the new part can be substituted for the current.
> : the current part can be substituted for the new.
S : Interchangeable as a set.

MO

DLS610 / 165MM DC SLIDE CPD. MITER SAWW

| Item | Sub | Parts No. | Parts Description | Qty | I/C | E/C No. | Close No. | Remark |
|-------|-----|-----------|--------------------------------|-----|-----|---------|-----------|--------|
| 121 | | 271457-4 | LEVER 27 | 1 | | | | |
| 122 | | 961018-5 | STOP RING E-5 | 1 | | | | |
| 123 | | 251267-5 | + PAN HEAD SCREW M6 | 1 | | | | |
| 124-1 | | 253215-0 | FLAT WASHER 8 | 1 | | | | |
| 125 | | 253948-7 | WAVE WASHER 8 | 1 | | | | |
| 126-1 | | 347736-3 | STOPPER ARM | 1 | | | | |
| 127 | | 265031-8 | + COUNTERSUNK HEAD SCREW M6X2 | 1 | | | | |
| 128 | | 347606-6 | SLIDE LOCK PLATE | 1 | | | | |
| 129 | | 127608-6 | FRONT ARM ASSEMBLY | 1 | | | | |
| | C10 | 263005-3 | RUBBER PIN 6 | 2 | | | | |
| | C20 | 266026-4 | TAPPING SCREW BIND CT 4X12 | 1 | | | | |
| | C30 | 347607-4 | FRONT ARM PLATE | 1 | | | | |
| 130 | | 922251-4 | HEX. SOCKET HEAD BOLT M5X30 | 2 | | | | |
| 131 | | 327447-6 | SQUARE ROD | 1 | | | | |
| 132 | | 911113-1 | PAN HEAD SCREW M4X10 WITH WR | 1 | | | | |
| 133 | | 459929-1 | HOLDER | 1 | | | | |
| 136 | | 327449-2 | LOCK PIN 7-9 B | 1 | | | | |
| 137 | | 234316-3 | COMPRESSION SPRING 7 | 1 | | | | |
| 138 | | 271428-1 | KNOB 20 | 1 | | | | |
| 139 | | 961018-5 | STOP RING E-5 | 1 | | | | |
| 140 | | 266026-4 | TAPPING SCREW BIND CT 4X12 | 1 | | | | |
| 141 | | 459931-4 | INDICATION PLATE R | 1 | | | | |
| 142 | | 265985-9 | HEX.SOCKET HEAD BOLT M6 | 1 | | | | |
| 144 | | 271458-2 | LEVER 130 | 1 | | | | |
| 145 | | 252277-5 | HEX. NUT M10-19 | 1 | | | | |
| 146 | | 231266-3 | COMPRESSION SPRING 5 | 1 | | | | |
| 147 | | 253024-7 | FLAT WASHER 10 | 1 | | | | |
| 148 | | 216413-7 | THRUST NEEDLE CAGE 1024 | 1 | | | | |
| 149 | | 253388-9 | FLAT WASHER 10 | 1 | | | | |
| 150 | | 252283-0 | HEX. LOCK NUT M10-17 | 1 | | | | |
| 151 | | 253024-7 | FLAT WASHER 10 | 1 | | | | |
| 152 | | 216413-7 | THRUST NEEDLE CAGE 1024 | 1 | | | | |
| 153 | | 253024-7 | FLAT WASHER 10 | 1 | | | | |
| 154 | | 140P38-0 | ARM COMPLETE | 1 | | | | |
| 155 | | 253456-8 | FLAT WASHER 63 | 1 | | | | |
| 156 | | 256123-4 | PIN 5 | 1 | | | | |
| 157 | | 961013-5 | STOP RING E-7 | 1 | | | | |
| 158 | | 253215-0 | FLAT WASHER 8 | 1 | | | | |
| 159 | | 459930-6 | INDICATION PLATE L | 1 | | | | |
| 160 | | 266026-4 | TAPPING SCREW BIND CT 4X12 | 1 | | | | |
| 161 | | 251582-7 | HEX SOCKET HEAD BOLT M6X25 | 1 | | | | |
| 162 | | 251582-7 | HEX SOCKET HEAD BOLT M6X25 | 1 | | | | |
| 163 | | 251582-7 | HEX SOCKET HEAD BOLT M6X25 | 1 | | | | |
| 164 | | 327446-8 | STOPPER ROD 8 | 1 | | | | |
| 165 | | 233138-8 | COMPRESSION SPRING 6 | 1 | | | | |
| 166 | | 286039-9 | CAP | 1 | | | | |
| 167 | | 347604-0 | LEVER PLATE | 1 | | | | |
| 168 | | 911113-1 | PAN HEAD SCREW M4X10 WITH WR | 2 | | | | |
| 169 | | 266026-4 | TAPPING SCREW BIND CT 4X12 | 4 | | | | |
| 170 | | 459736-2 | KERF BOARD | 1 | | | | |
| 171 | | 265442-7 | HEX. BOLT M8X40 | 1 | | | | |
| 172 | | 253731-2 | FLAT WASHER 8 | 1 | | | | |
| 173 | | 216415-3 | THRUST NEEDLE CAGE 821 | 1 | | | | |
| 174 | | 253731-2 | FLAT WASHER 8 | 1 | | | | |
| 175 | | 911113-1 | PAN HEAD SCREW M4X10 WITH WR | 1 | | | | |
| 176 | | 271455-8 | KNOB 28 | 1 | | | | |
| 177 | | 327458-1 | SHAFT | 1 | | | | |
| 178 | | 253804-1 | FLAT WASHER 6 | 1 | | | | |
| 179 | | 265A80-1 | H.S.SET SCREW(FLAT POINT)M6X16 | 1 | | | | |
| 180 | | 140P37-2 | TURN BASE COMPLETE | 1 | | | | |
| | C10 | 8002T1-8 | BEVEL SCALE LABEL | 1 | | | | |
| | C20 | 8002T2-6 | OPERATIONAL INDICATION LABEL | 1 | | | | |
| | C30 | 812X85-6 | CAUTION LABEL | 1 | | | | |
| 181 | | 232574-5 | TORSION SPRING 8 | 1 | | | | |
| 182 | | 271456-6 | LEVER 25 | 1 | | | | |

Interchange
O : Yes
X : No
< : the new part can be substituted for the current.
> : the current part can be substituted for the new.
S : Interchangeable as a set.

MO

DLS610 / 165MM DC SLIDE CPD. MITER SAWW

| Item | Sub | Parts No. | Parts Description | Qty | I/C | E/C No. | Close No. | Remark |
|------|-----|-----------|-------------------------------|-----|-----|---------|-----------|--------|
| 183 | | 253744-3 | FLAT WASHER 12 | 1 | | | | |
| 184 | | 327448-4 | CENTER SHAFT | 1 | | | | |
| 185 | | 266026-4 | TAPPING SCREW BIND CT 4X12 | 1 | | | | |
| 186 | | 459928-3 | INDICATION PLATE | 1 | | | | |
| 187 | | 267034-8 | FLAT WASHER 5 | 1 | | | | |
| 188 | | 232584-2 | COMPRESSION SPRING 6 | 1 | | | | |
| 189 | | 226947-2 | SPUR GEAR 38 | 1 | | | | |
| 190 | | 226946-4 | SPUR GEAR 14 | 1 | | | | |
| 191 | | 265A74-6 | + SHOULDER FLAT HEAD SCREW M5 | 1 | | | | |
| 192 | | 257600-9 | SLEEVE 6 | 1 | | | | |
| 193 | | 226942-2 | SPUR GEAR 15 | 1 | | | | |
| 194 | | 961011-9 | STOP RING E-4 | 1 | | | | |
| 195 | | 310984-7 | TURN STOPPER | 1 | | | | |
| 196 | | 256186-0 | PIN 5 | 1 | | | | |
| 197 | | 347601-6 | STOPPER HOLDER | 1 | | | | |
| 198 | | 911231-5 | PAN HEAD SCREW M5X20 | 2 | | | | |
| 199 | | 327443-4 | LOCK ROD | 1 | | | | |
| 200 | | 347602-4 | PLATE | 1 | | | | |
| 201 | | 266026-4 | TAPPING SCREW BIND CT 4X12 | 1 | | | | |
| 202 | | 319889-8 | PIN HOLDER | 1 | | | | |
| 203 | | 911231-5 | PAN HEAD SCREW M5X20 | 2 | | | | |
| 204 | | 256254-9 | PIN 3 | 1 | | | | |
| 205 | | 327444-2 | LOCK PIN 6 | 1 | | | | |
| 206 | | 231325-3 | COMPRESSION SPRING 6 | 1 | | | | |
| 207 | | 256267-0 | PIN 3 | 1 | | | | |
| 208 | | 347619-7 | LOCK PLATE B | 1 | | | | |
| 209 | | 266026-4 | TAPPING SCREW BIND CT 4X12 | 2 | | | | |
| 210 | | 257425-1 | RING 5 | 2 | | | | |
| 211 | | 253194-2 | FLAT WASHER 5 | 2 | | | | |
| 212 | | 922231-0 | HEX. SOCKET HEAD BOLT M5X20 | 2 | | | | |
| 213 | | 257481-1 | SLEEVE 5 | 1 | | | | |
| 214 | | 233471-8 | COMPRESSION SPRING 6 | 1 | | | | |
| 215 | | 347603-2 | LOCK PLATE A | 1 | | | | |
| 216 | | 327445-0 | SHOULDER PIN 8-10 | 1 | | | | |
| 217 | | 961013-5 | STOP RING E-7 | 1 | | | | |
| 218 | | 459927-5 | LOCK LEVER | 1 | | | | |
| 219 | | 273024-1 | GRIP 32 | 1 | | | | |
| 220 | | 346169-9 | FENCE PLATE | 2 | | | | |
| 221 | | 213021-5 | O RING 5 | 2 | | | | |
| 222 | | 265156-8 | +COUNTERSUNK HEAD SCREW M | 2 | | | | |
| 223 | | 319852-1 | GUIDE FENCE | 1 | | | | |
| 224 | | 265488-3 | HEX. BOLT M8X30 | 4 | | | | |
| 225 | | 265785-7 | THUMB SCREW M5X10 | 1 | | | | |
| 226 | | 262162-4 | URETHANE RING 5 | 1 | | | | |
| 227 | | 911223-4 | PAN HEAD SCREW M5X16 | 3 | | | | |
| 228 | | 347599-7 | MITER LOCK PLATE | 1 | | | | |
| 229 | | 459735-4 | SLIDE PLATE | 1 | | | | |
| 230 | | 251546-1 | + PAN HEAD SCREW M5 | 4 | | | | |
| 231 | | 347600-8 | MITER SCALE PLATE | 1 | | | | |
| 232 | | 136178-4 | BASE ASSY | 1 | | | | |
| | C10 | 810486-8 | CAUTION LABEL | 1 | | | | |
| | C20 | 810064-4 | LASER BEAM CAUTION LABEL | 1 | | | | |
| | C30 | 813L22-1 | CAUTION LABEL | 2 | | | | |
| | D10 | | INC. 233 | | | | | |
| 233 | | 286044-6 | CAP 13 | 5 | | | | |
| 234 | | 144034-4 | SUB PLATE COMPLETE | 1 | | | | |
| 235 | | 912222-9 | COUNTERSUNK HEAD SCREW M5X16 | 2 | | | | |
| 237 | | 942151-2 | SPRING WASHER 6 | 1 | | | | |
| A01 | | 127465-2 | WISE ASSEMBLY | 1 | | | | |
| A02 | | 127512-9 | DUST BAG ASSEMBLY | 1 | | | | |
| | C10 | 412411-1 | FASTENER | 1 | | | | |
| A03 | | 762001-3 | TRIANGULAR RULE | 1 | | | | |
| A04 | | 783208-8 | HEX. WRENCH 2.5 | 1 | | | | |
| A05 | | 783022-2 | HEX. WRENCH 5 | 1 | | | | |
| A06 | | B-69892 | TCT BLADE165X20X60T EFFICUT | 1 | | | | |

Interchange
O : Yes
X : No
< : the new part can be substituted for the current.
> : the current part can be substituted for the new.
S : Interchangeable as a set.