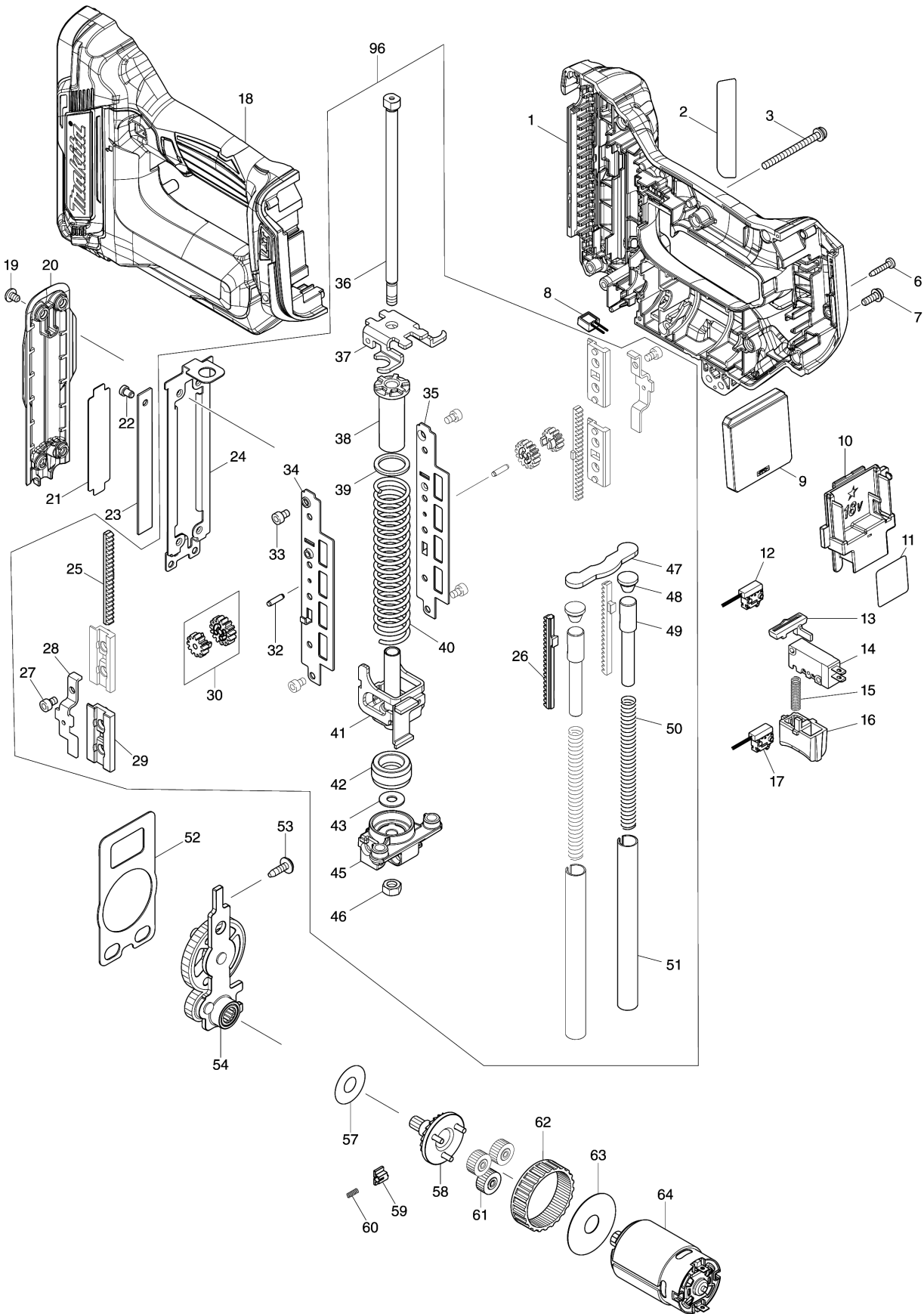
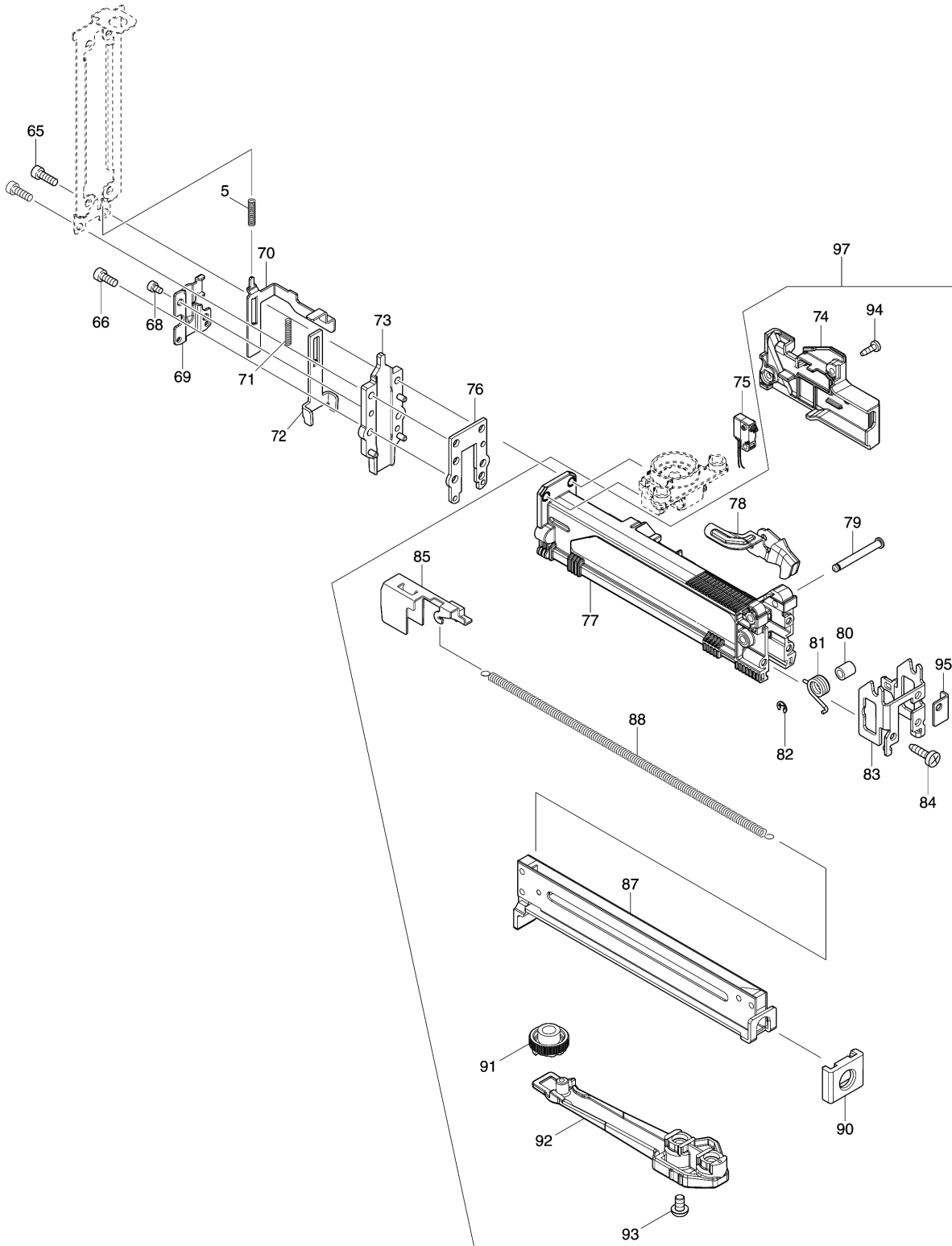


Model No.DST121 CORDLESS STAPLER



Model No.DST121 CORDLESS STAPLER



Model No.DST121 CORDLESS STAPLER

Item	Parts No.	Description	I/C	Qty	New/Old	Opt. 1	Opt. 2	Note
001	183N96-1	HOUSING SET		1				
C10	263005-3	RUBBER PIN 6		2				
C20	252126-6	HEX. LOCK NUT M4-7		2				
C30	931102-0	HEX. NUT M4		1				
D10		INC. 18						
002	857E80-5	DST121 NAME PLATE		1				
003	911173-3	PAN HEAD SCREW M4X45		1				
005	232608-4	COMPRESSION SPRING 4		1				
006	266130-9	TAPPING SCREW BIND PT 3X16		8				
007	911113-1	PAN HEAD SCREW M4X10 WITH WR		2				
008	620507-6	LED CIRCUIT		1				
009	632P84-2	CONTROLLER UNIT		1				
010	643874-2	TERMINAL		1				
011	857E83-9	DST121 SERIAL NO. LABEL		1				
012	632G60-2	SWITCH UNIT		1				
013	456799-9	TRIGGER LOCK		1				
014	651910-0	SWITCH D2VW-01-3HS		1				
015	232370-1	COMPRESSION SPRING 5		1				
016	457386-7	TRIGGER		1				
017	632K06-2	SWITCH UNIT		1				
018	183N96-1	HOUSING SET		1				
C10	263005-3	RUBBER PIN 6		2				
C20	252126-6	HEX. LOCK NUT M4-7		2				
C30	931102-0	HEX. NUT M4		1				
D10		INC. 1						
019	915101-0	BINDING HEAD SCREW M4X6		4				
020	412495-9	FRONT COVER		1				
021	347528-0	UPPER PLATE		1				
022	256882-0	FLAT FILLISTER HD. PIN 4		1				
023	347715-1	DRIVER		1				
024	347683-8	RAIL		1				
025	310924-5	COUNTER WEIGHT A		2				
026	310925-3	COUNTER WEIGHT B		2				
027	251566-5	H.S.H BOLT M4X6 WITH W		2				
028	347146-4	PINION GUIDE		2				
029	457390-6	COUNTER WEIGHT HOLDER		4				
030	136104-3	SPUR GEAR ASSEMBLY		2				
032	326902-5	PINION SHAFT		2				

Model No.DST121 CORDLESS STAPLER

Item	Parts No.	Description	I/C	Qty	New/Old	Opt. 1	Opt. 2	Note
033	266199-3	HEX.SOCKET HEAD BOLT M4X6		4				
034	347145-6	GUIDE RAIL R		1				
035	347144-8	GUIDE RAIL L		1				
036	326903-3	GUIDE BOLT		1				
037	347728-2	BOTTOM PLATE		1				
038	459311-4	SPRING HOLDER		1				
039	347522-2	SPRING BASE		1				
040	232511-9	COMPRESSION SPRING 17		1				
041	347735-5	HAMMER		1				
042	422457-9	CUSHION		1				
043	253804-1	FLAT WASHER 6		1				
045	319984-4	HOLDER		1				
046	252273-3	HEX. NUT M6		1				
047	347729-0	COUNTER STOPPER		1				
048	422592-3	COUNTER CUSHION		2				
049	327591-9	WEIGHT		2				
050	232630-1	COMPRESSION SPRING 7		2				
051	327592-7	GUIDE PIPE		2				
052	347525-6	GEAR PLATE		1				
053	266901-4	TAPPING SCREW 4X14		1				
054	140K45-3	SPUR GEAR 61 COMPLETE		1				
057	253353-8	THIN WASHER 10		1				
058	140K48-7	SPUR GEAR 8 COMPLETE		1				
059	310945-7	LOCK BLOCK		1				
060	232513-5	COMPRESSION SPRING 3		1				
061	221961-3	SPUR GEAR 27		3				
062	227166-3	INTERNAL GEAR 69		1				
063	267053-4	FLAT WASHER 12		1				
064	629408-5	DC MOTOR		1				
065	922127-5	HEX. SOCKET HEAD BOLT M4X16		2				
066	922112-8	HEX. SOCKET HEAD BOLT M4X10		2				
068	922102-1	HEX. SOCKET HEAD BOLT M4X6		2				
069	347685-4	CONTACT ARM GUIDE		1				
070	347682-0	CONTACT ARM		1				
071	232607-6	COMPRESSION SPRING 3		1				
072	347716-9	CONTACT TOP		1				
073	140U25-9	DRIVER GUIDE COMPLETE		1				
074	412496-7	CONTACT ARM COVER		1				

Model No.DST121 CORDLESS STAPLER

Item	Parts No.	Description	I/C	Qty	New/Old	Opt. 1	Opt. 2	Note
075	632P86-8	SWITCH UNIT		1				
076	347713-5	UNDER DRIVER GUIDE		1				
077	412663-4	MAIN MAGAZINE		1				
078	347777-9	LOCK LEVER		1				
079	256956-7	PIN 4		1				
080	257502-9	SLEEVE 5		1				
081	232606-8	TORSION SPRING 8		1				
082	961017-7	STOP RING E-3		1				
083	347742-8	SUPPORTER		1				
084	266192-7	TAPPING SCREW 4X14		3				
085	140U84-3	PUSHER COMPLETE		1				
087	162844-7	SUB MAGAZINE		1				
088	231740-1	TENSION SPRING 4		1				
090	421637-4	MAGAZINE END		1				
091	412771-1	ADJUSTER		1				
092	454627-2	DEPTH GUIDE		1				
093	266868-6	H.S.BUTTON HEAD SCREW M5X8		2				
094	266007-8	TAPPING SCREW BIND PT 3X10		2				
095	347717-7	LOCK PLATE		1				
096	136295-0	COUNTER WEIGHT ASSY		1				
D10		INC. 24-30,32-43,45-51						
097	136297-6	MAGAZINE ASSY		1				
D10		INC. 74,77-85,87,88,90-95						
A01	195246-2	SAFETY GOGGLE		1				
A02	251314-2	+ SCREW M4X12		1				
A03	346317-0	HOOK		1				
A04	422604-2	NOSE ADAPTER		1				
A06	140S88-3	PLASTIC CASE COMPLETE		1				
C10	162302-3	LATCH		2				
C20	324319-6	SHAFT		1				
C30	451749-9	HANDLE		1				
C40	835H54-4	INNER TRAY		1				
A07	8015X3-3	DST121ZK PLASTIC CASE LABEL		2				

Please order the parts with part number.

Print Date 17/4/2020