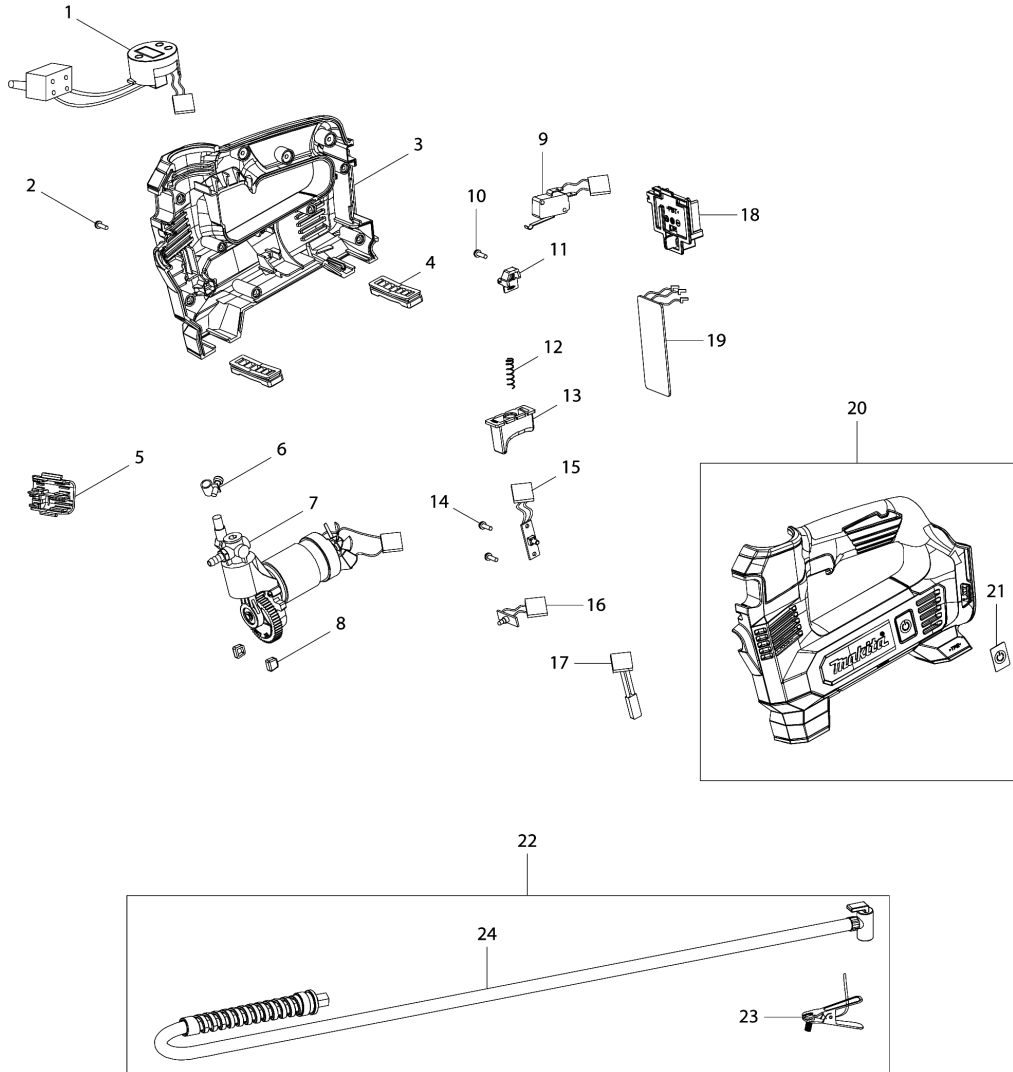


Model No.DMP180 CORDLESS INFLATOR



Model No.DMP180 CORDLESS INFLATOR

| Item | Parts No. | Description | I/C | Qty | New/Old | Opt. 1 | Opt. 2 | Note |
|------|------------|-------------------------------|-----|-----|---------|--------|--------|------|
| 001 | TE00000421 | DIGITAL DISPLAY | | 1 | | | | |
| 002 | TE00000204 | SCREW 3X14 | | 10 | | | | |
| 003 | TE00000420 | HOUSING ASSEMBLY | | 1 | | | | |
| D10 | | INC. 20,21 | | | | | | |
| 004 | TE00000338 | MAT | | 2 | | | | |
| 005 | TE00000422 | FIXED BRACKET | | 1 | | | | |
| 006 | TE00000352 | CLAMP | | 1 | | | | |
| 007 | TE00000425 | MOTOR ASSEMBLY | | 1 | | | | |
| 008 | TE00000339 | RUBBER(CYLINDER) | | 2 | | | | |
| 009 | TE00000329 | SWITCH | | 1 | | | | |
| 010 | TE00000327 | SCREW 3*10 | | 1 | | | | |
| 011 | TE00000328 | TRIGGER SPRING-FIXED BLOCK | | 1 | | | | |
| 012 | TE00000330 | SPRING | | 1 | | | | |
| 013 | TE00000331 | SWITCH TRIGGER | | 1 | | | | |
| 014 | TE00000327 | SCREW 3*10 | | 2 | | | | |
| 015 | TE00000341 | POWER ON/OFF | | 1 | | | | |
| 016 | TE00000342 | LED PCB | | 1 | | | | |
| 017 | TE00000343 | TERMINAL PROTECTOR | | 1 | | | | |
| 018 | TE00000424 | BATTERY TERMINAL | | 1 | | | | |
| 019 | TE00000423 | PCB | | 1 | | | | |
| 020 | TE00000420 | HOUSING ASSEMBLY | | 1 | | | | |
| D10 | | INC. 3,21 | | | | | | |
| 021 | TE00000426 | SWITCH LABEL | | 1 | | | | |
| 022 | TE00000345 | AIR PIPE ASSEMBLY | | 1 | | | | |
| D10 | | INC. 23 | | | | | | |
| 023 | TE00000346 | BRITISH ADAPTER | | 1 | | | | |
| A01 | TE00000333 | SWIM RING ADAPTER | | 1 | | | | |
| A02 | TE00000335 | BALL ADAPTER | | 1 | | | | |
| A03 | TE00000334 | FRENCH ADAPTER | | 1 | | | | |

Please order the parts with part number.

Print Date 12/3/2020

