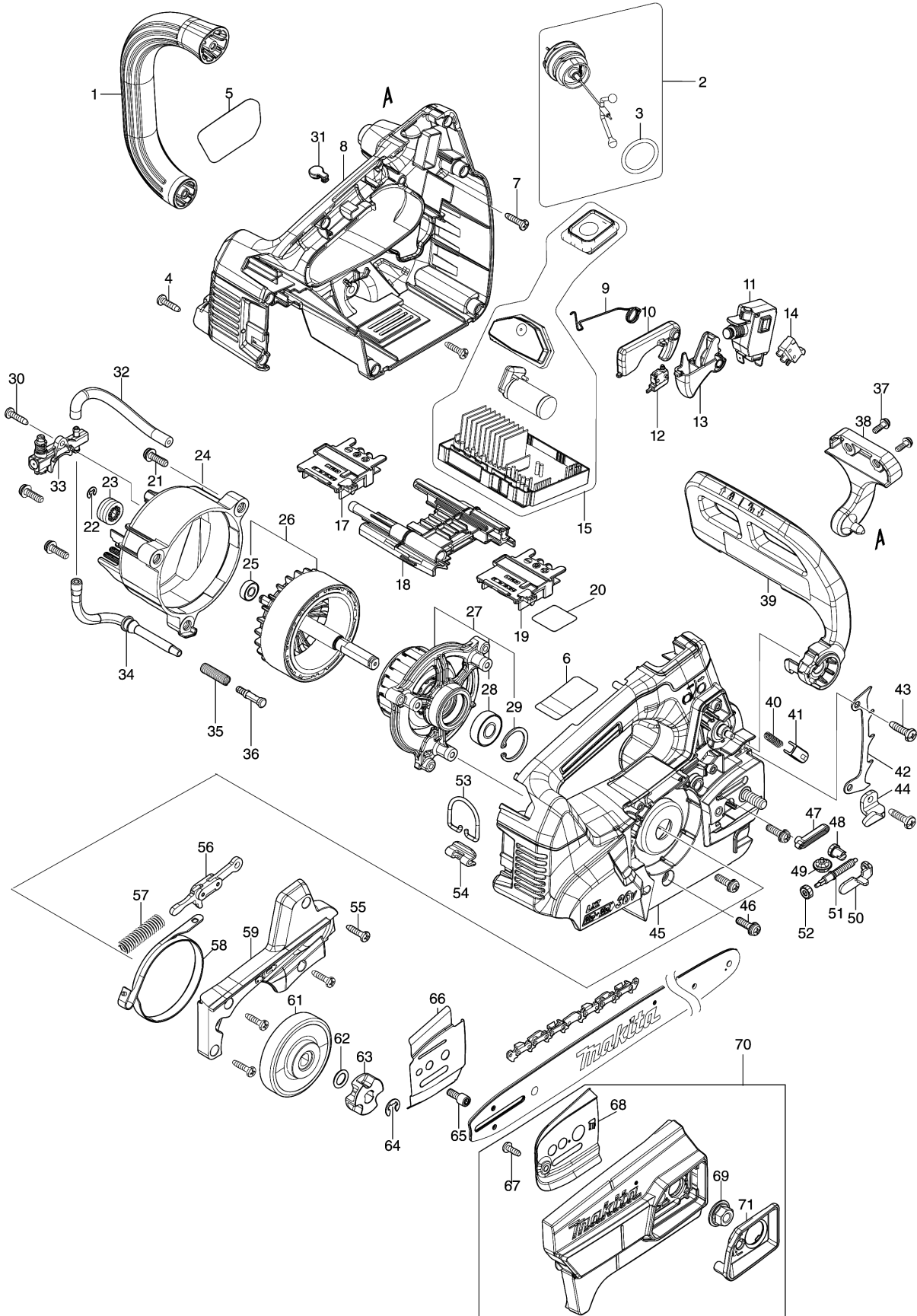


Model No.DUC356 350MM CORDLESS CHAIN SAW



Model No.DUC356 350MM CORDLESS CHAIN SAW

Item	Parts No.	Description	I/C	Qty	New/Old	Opt. 1	Opt. 2	Note
001	459275-2	環型手柄 - DUC256		1				
002	126832-8	鏈油蓋組 - DUC256		1				
D10		INC. 3						
003	213355-6	O-RING 25		1				
004	266326-2	自攻螺釘4X18 - HR2810		9				
005	819S64-5	DUC356 MODEL NO. LABEL		1				
006	856A40-0	DUC356 NAME PLATE		1				
007	266326-2	自攻螺釘4X18 - HR2810		2				
008	183N15-7	機殼 - DUC256		1				
C10	263005-3	橡膠銷6 - 2414B		2				
C20	424170-5	VALVE		1				
C30	454724-4	SINTER INSERT		1				
D10		INC. 45						
009	232509-6	扭簧10 - DUC256		1				
010	459268-9	安全鎖緊開關拉桿 - DUC256		1				
011	651365-9	開關 C3JW-6BM-P - DUC204		1				
012	632L49-0	開關 - DUC204		1				
013	459267-1	開關拉桿 - DUC256		1				
014	632L48-2	開關 - DUC204		1				
015	140K82-7	控制器 - DUC256		1				
C10	819R38-0	INDICATION LABEL		1				
C20	819S81-5	SWITCH LABEL		1				
017	643874-2	端子 - DGA413		1				
018	140K81-9	中間殼 - DUC256		1				
C10	263005-3	橡膠銷6 - 2414B		2				
019	643874-2	端子 - DGA413		1				
020	856A45-0	DUC356 SERIAL NO. LABEL		1				
021	911228-4	盤頭螺絲M5X18 - PM7650H		3				
022	961011-9	擋圈E-4 - 4304		1				
023	226884-0	蝸形齒輪 - DUC256		1				
024	459276-0	馬達外殼 - DUC256		1				
025	210026-6	球軸承696ZZ - DA3010		1				
026	519576-1	轉子組件 - DUC256		1				
D10		INC. 25						
027	529420-4	定子組件 - DUC256		1				
D10		INC. 28,29						
028	210059-1	球軸承 6000DDW - GA5021C		1				
029	962105-3	擋圈R-26 - GA4030		1				
030	266326-2	自攻螺釘4X18 - HR2810		1				

Model No.DUC356 350MM CORDLESS CHAIN SAW

Item	Parts No.	Description	I/C	Qty	New/Old	Opt. 1	Opt. 2	Note
031	422467-6	蓋 - DUC256		1				
032	422451-1	輸油管3-100 - DUC256		1				
033	142156-4	油泵組件 - DUC353Z		1				
034	422452-9	輸油管3-130 - DUC256		1				
035	231975-4	SPRING		1				
036	452666-6	接口 - EA3201S		1				
037	911118-1	盤頭螺絲M4X12 - BO4510		2				
038	459270-2	前手柄蓋限動板 - DUC256		1				
039	140K79-6	前手柄蓋 - DUC256		1				
C10	819S75-0	CAUTION LABEL		1				
040	234210-9	壓簧6 - EA3201S		1				
041	313212-9	把手導塊 - EA3201S		1				
042	346809-9	鋸齒板 - DUC256		1				
043	266420-0	自攻螺絲5X20 - HR2810		2				
044	347516-7	鋸鏈擋桿 - DUC256		1				
045	183N15-7	機殼 - DUC256		1				
C10	263005-3	橡膠銷6 - 2414B		2				
C20	424170-5	VALVE		1				
C30	454724-4	SINTER INSERT		1				
D10		INC. 8						
046	911228-4	盤頭螺絲M5X18 - PM7650H		3				
047	422466-8	金屬扣眼 - DUC256		1				
048	227620-7	傳動齒輪 - DUC355		1				
049	227634-6	直旋傘齒輪14 - EA3700T		1				
050	347517-5	張力調整滑桿 - DUC256		1				
051	327317-9	調節螺絲 - DUC256		1				
052	227496-2	螺旋散齒輪14 - BUC250		1				
053	281222-3	HOOK		1				
054	347514-1	掛鉤座 - DUC256		1				
055	266326-2	自攻螺釘4X18 - HR2810		4				
056	140A74-6	連接片 - DUC204		1				
057	232452-9	壓簧7 - DUC204		1				
058	347515-9	剎車帶 - DUC256		1				
059	459273-6	內機殼 - DUC256		1				
061	162638-0	制動鼓 - DUC256		1				
062	213060-5	O RING 10		1				
063	221464-7	鏈輪 6 - DUC353		1				
064	961013-5	擋圈E-7 - LS1016		1				
065	266905-6	H.L. SOCKET HEAD BOLT M5X12		1				
066	347533-7	導板(左) - DUC256		1				
067	266427-6	TAPPING SCREW 4X12		1				

Please order the parts with part number.

Print Date 4/12/2019

Model No.DUC356 350MM CORDLESS CHAIN SAW

Item	Parts No.	Description	I/C	Qty	New/Old	Opt. 1	Opt. 2	Note
068	347534-5	導板(右) - DUC256		1				
069	162494-8	FLANGE NUT COMPLETE		1				
070	136138-6	鏈輪蓋組成 - DUC256		1				
D10		INC. 67-69,71						
071	459278-6	托盤螺母 - DUC256		1				
A01	165246-6	導板14" - EA3201		1				
A02	419288-5	CHAIN COVER		1				
A03	196741-5	鏈條14" - EA3201		1				
A04	199897-3	OIL VESSEL SET		1				
A05	782023-7	WRENCH 13-16		1				
A06	195246-2	SAFETY GOGGLE		1				
E01	817D83-5	CAUTION TAG		1				
E02	805011-8	SOUND 103DB LABEL		1				

Please order the parts with part number.

Print Date 4/12/2019