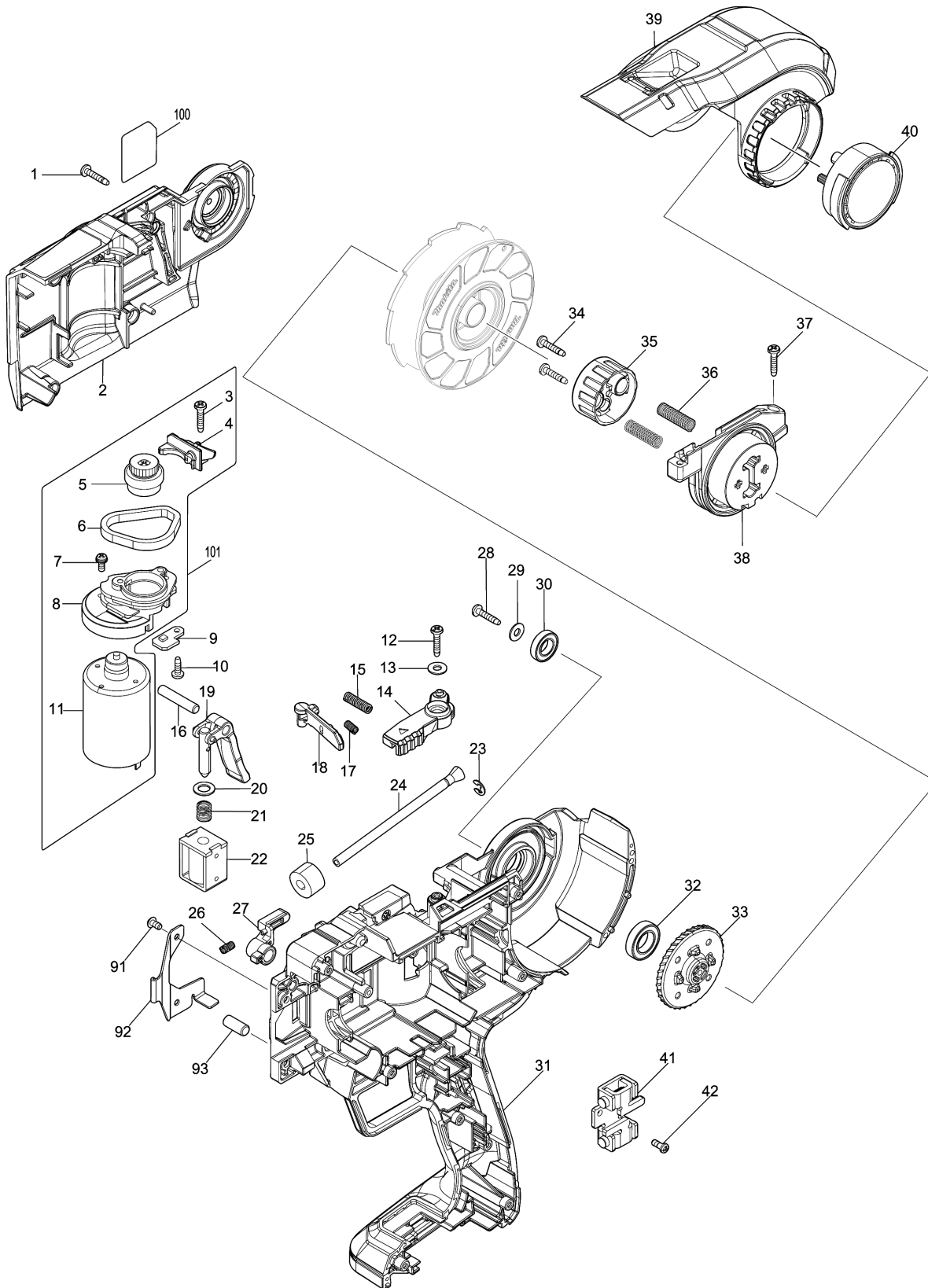
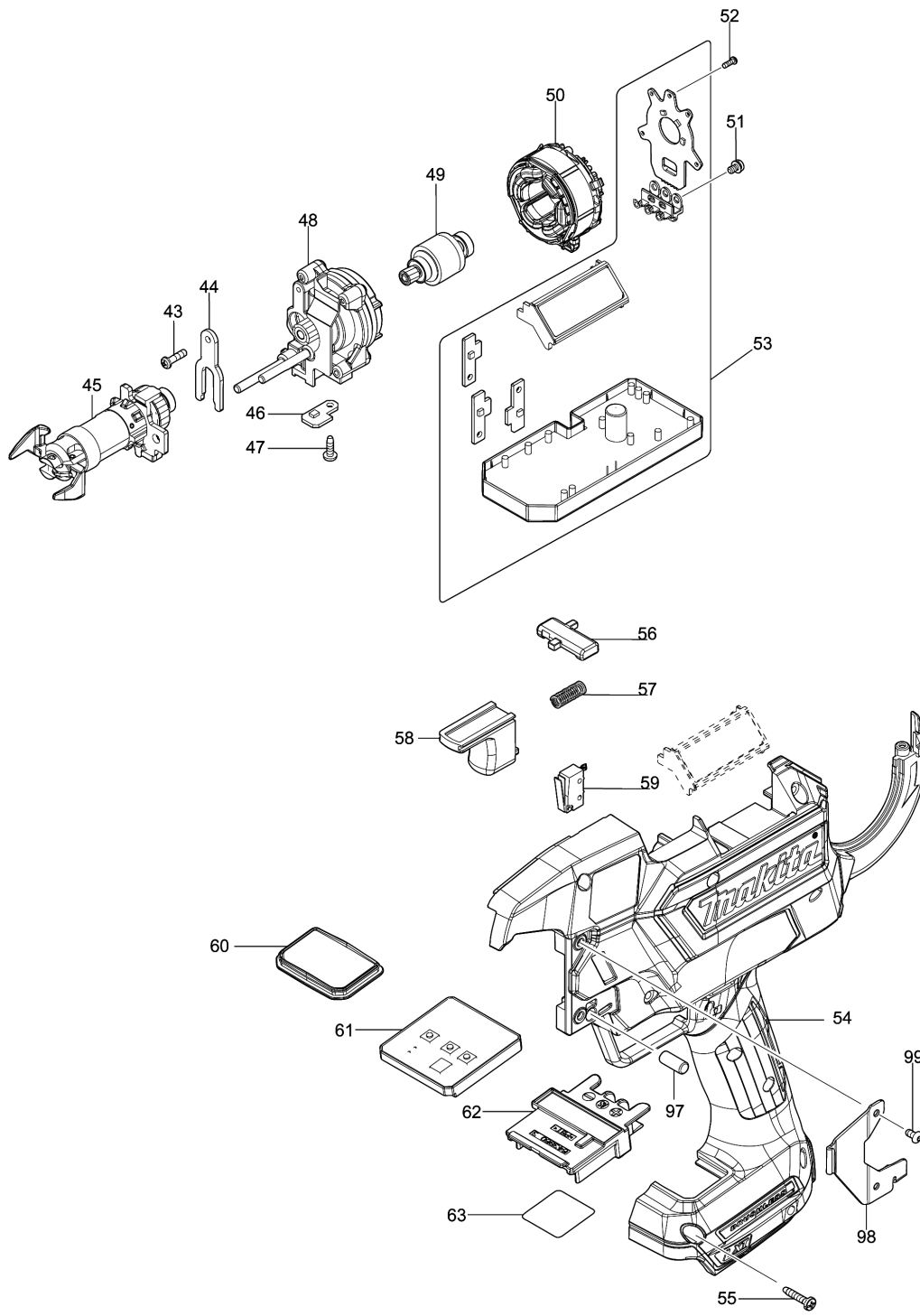


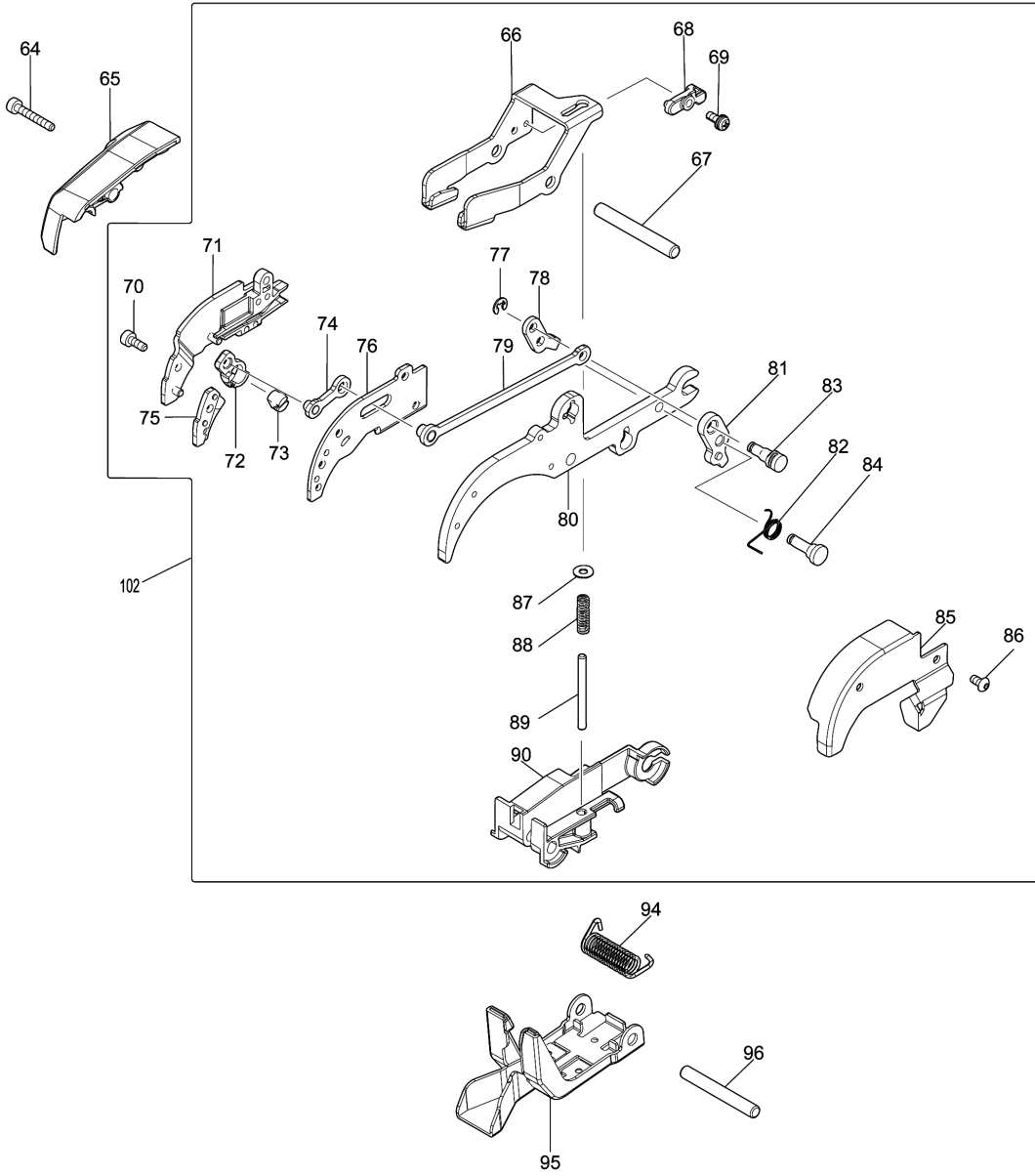
# Model No.DTR180 CORDLESS REBAR TYING TOOL



# Model No.DTR180 CORDLESS REBAR TYING TOOL



# Model No.DTR180 CORDLESS REBAR TYING TOOL



## Model No.DTR180 CORDLESS REBAR TYING TOOL

Item	Parts No.	Description	I/C	Qty	New/Old	Sales	Purch.	Note
001	266130-9	螺絲M3X16 - 6019DW		4				
002	140B66-1	機殼 - DTR180		1	*			
C10	817A35-8	INDICATION LABEL A		1	*			
C20	817A42-1	CAUTION LABEL A		1	*			
C30	817A44-7	CAUTION LABEL B		1	*			
002-1	140J78-2	HOUSING COVER COMPLETE	S	1	*			
C10	817A35-8	INDICATION LABEL A		1	*			
C20	817A42-1	CAUTION LABEL A		1	*			
C30	817A44-7	CAUTION LABEL B		1	*			
002-2	140V64-5	HOUSING COVER COMPLETE	O	1				
C10	817A35-8	INDICATION LABEL A		1				
C20	817A42-1	CAUTION LABEL A		1				
C30	817A44-7	CAUTION LABEL B		1				
003	266130-9	螺絲M3X16 - 6019DW		1				
004	310864-7	WIRE GUIDE A		1				
005	135968-2	SPUR GEAR 30A ASSEMBLY		1				
006	422247-0	SPONGE SHEET A		1				
007	911008-8	PAN HEAD SCREW M3X8		2				
008	458222-0	MOTOR BASE		1				
009	620913-5	感應器電路 - DTR180		1				
010	266007-8	自攻螺釘PT3X10		1				
011	629346-1	DC MOTOR		1				
012	266130-9	螺絲M3X16 - 6019DW		1				
013	941051-3	平墊圈4		1				
014	135969-0	直齒圓柱齒輪30B - DTR180		1				
015	232443-0	壓簧3 - DTR180		1				
016	256098-7	PIN 5		1				
017	232442-2	壓簧3 - DTR180		1				
018	458223-8	鎖定桿 - DTR180		1				
019	140A85-1	制動臂 - DTR180		1				
020	941152-7	平墊圈6 - 2106		1				
021	232446-4	壓簧7 - DTR180		1				
022	679032-4	螺線管 - DTR180		1				
023	961011-9	擋圈E-4 - 4304		1	*			
024	327112-7	鋼線導管 - DTR180		1	*			
024-1	140L14-0	WIRE GUIDE PIPE COMPLETE	S	1				
025	422249-6	海綿片B - DTR180		1				
026	232442-2	壓簧3 - DTR180		1				
027	144901-3	磁力臂 - DTR180		1				
028	266130-9	螺絲M3X16 - 6019DW		1				
029	941051-3	平墊圈4		1				
030	211478-4	球軸承689 - DTR180		1				
031	183J56-9	機殼 - DTR180		1				
C10	263005-3	橡膠銷6 - 2414B		2				
C20	252126-6	六角鎖緊螺母M4-7 - DBN500		2				
C30	931002-4	HEX. NUT M3		2				
C40	817A46-3	CAUTION LABEL C		1				

Model No.DTR180 CORDLESS REBAR TYING TOOL

Item	Parts No.	Description	I/C	Qty	New/Old	Sales	Purch.	Note
D10		INC. 54						
032	211136-2	BALL BEARING 6801LLB		1				
033	144904-7	磁力輪組 - DTR180		1	*			
033-1	140H97-6	MAGNET WHEEL COMPLETE	S	1				
034	266130-9	螺絲M3X16 - 6019DW		2				
035	319665-0	捲軸軸承 - DTR180		1	*			
035-1	319822-0	REEL BEARING	<	1				
036	231294-8	壓簧6 - 5012B		2				
037	266130-9	螺絲M3X16 - 6019DW		2				
038	458225-4	捲軸底座 - DTR180		1				
039	458216-5	捲軸蓋 - DTR180		1				
040	458221-2	捲軸軸承凸輪 - DTR180		1				
041	126743-7	限動器 - DTR180		1				
042	265199-0	+ PAN HEAD SCREW M3X8		2				
043	911017-7	PAN HEAD SCREW M3X12		1				
044	310866-3	軸承保持架 - DTR180		1				
045	140B72-6	主套筒組件 - DTR180		1	*			
045-1	140J49-9	主旋臂組件 - DTR180	<	1				
046	620913-5	感應器電路 - DTR180		1				
047	266007-8	自攻螺釘PT3X10		1				
048	126838-6	齒輪組 - DTR180		1				
049	619520-9	轉子 - DTR180		1				
050	629343-7	定子 - DTR180		1				
051	652069-6	十字槽平頭螺絲M3X6 - DTD170		3				
052	266490-9	TAPPING SCREW PT 2X6		3				
053	140B68-7	主控制器組件 - DTR180		1				
C10	817A37-4	INDICATION LABEL B		1				
054	183J56-9	機殼 - DTR180		1				
C10	263005-3	橡膠銷6 - 2414B		2				
C20	252126-6	六角鎖緊螺母M4-7 - DBN500		2				
C30	931002-4	HEX. NUT M3		2				
C40	817A46-3	CAUTION LABEL C		1				
D10		INC. 31						
055	266130-9	螺絲M3X16 - 6019DW		11				
056	458219-9	扳機鎖 - DTR180		1				
057	234037-7	壓簧5 - DBN500		1				
058	458220-4	扳機 - DTR180		1				
059	632L94-5	開關 - DTR180		1				
060	140B67-9	按鈕板面 - DTR180		1				
C10	817A39-0	INDICATION LABEL C		1				
061	620924-0	按鈕電路 - DTR180		1				
062	643860-3	端子組件 - DCL180		1				
063	854L26-4	DTR180 SERIAL NO. LABEL		1				
064	265633-0	內六角頭螺栓M3X20 - DTR180		1				
065	458217-3	接觸板塊蓋 - DTR180		1				
066	347331-9	CONTACT PLATE		1				

Model No.DTR180 CORDLESS REBAR TYING TOOL

Item	Parts No.	Description	I/C	Qty	New/Old	Sales	Purch.	Note
067	256573-3	銷5 - DTR180		1				
068	144903-9	MAGNET BASE B COMPLETE		1				
069	911008-8	PAN HEAD SCREW M3X8		1				
070	265634-8	HEX SOCKET HEAD BOLT M3X8		1				
071	140C95-0	WIRE GUIDE B COMPLETE		1				
072	310815-0	CUTTER B		1				
073	310814-2	CUTTER A		1				
074	161872-9	LINK ARM A COMPLETE		1				
075	347328-8	TOP PLATE		1				
076	347326-2	GUIDE PLATE A		1				
077	961017-7	擋圈E-3		2				
078	347330-1	PULL PLATE		1	*			
078-1	347720-8	PULL PLATE	<	1				
079	161873-7	LINK ARM B COMPLETE		1				
080	347370-9	GUIDE ARM A		1				
081	347329-6	PUSH PLATE		1				
082	232445-6	TORSION SPRING 7		1				
083	256400-4	SHOULDER PIN 4		1				
084	256399-3	SHOULDER PIN 4		1				
085	347327-0	GUIDE PLATE B		1				
086	265635-6	內六角頭螺栓M3X6 - DTR180		2				
087	941001-8	FLAT WASHER 3		1				
088	232444-8	COMPRESSION SPRING 4		1				
089	256390-1	PIN 3		1				
090	458226-2	LEAD HOLDER		1				
091	265635-6	內六角頭螺栓M3X6 - DTR180		2				
092	347333-5	側板(右) - DTR180		1				
093	263040-1	RUBBER PIN 6		1				
094	232448-0	扭簧6 - DTR180		1				
095	161867-2	屈曲導件 - DTR180		1				
096	256573-3	銷5 - DTR180		1				
097	263040-1	RUBBER PIN 6		1				
098	347332-7	側板(左) - DTR180		1				
099	265635-6	內六角頭螺栓M3X6 - DTR180		2				
100	854L20-6	DTR180 NAME PLATE		1				
101	135999-1	DC 馬達 - DTR180		1				
D10		INC. 3-8,11						
102	135998-3	導向臂組件 - DTR180		1	*			
D10		INC. 66-90			*			
102-1	136184-9	GUIDE ARM ASSY	<	1				
D10		INC. 66-90						
103	232508-8	COMPRESSION SPRING 10	S	1				
A01	251314-2	十字頭螺絲M4X12 - BHP451		1				
A02	346449-3	HOOK		1				
A03	783208-8	HEX. WRENCH 2.5		1				

Please order the parts with part number.

Print Date 18/12/2019