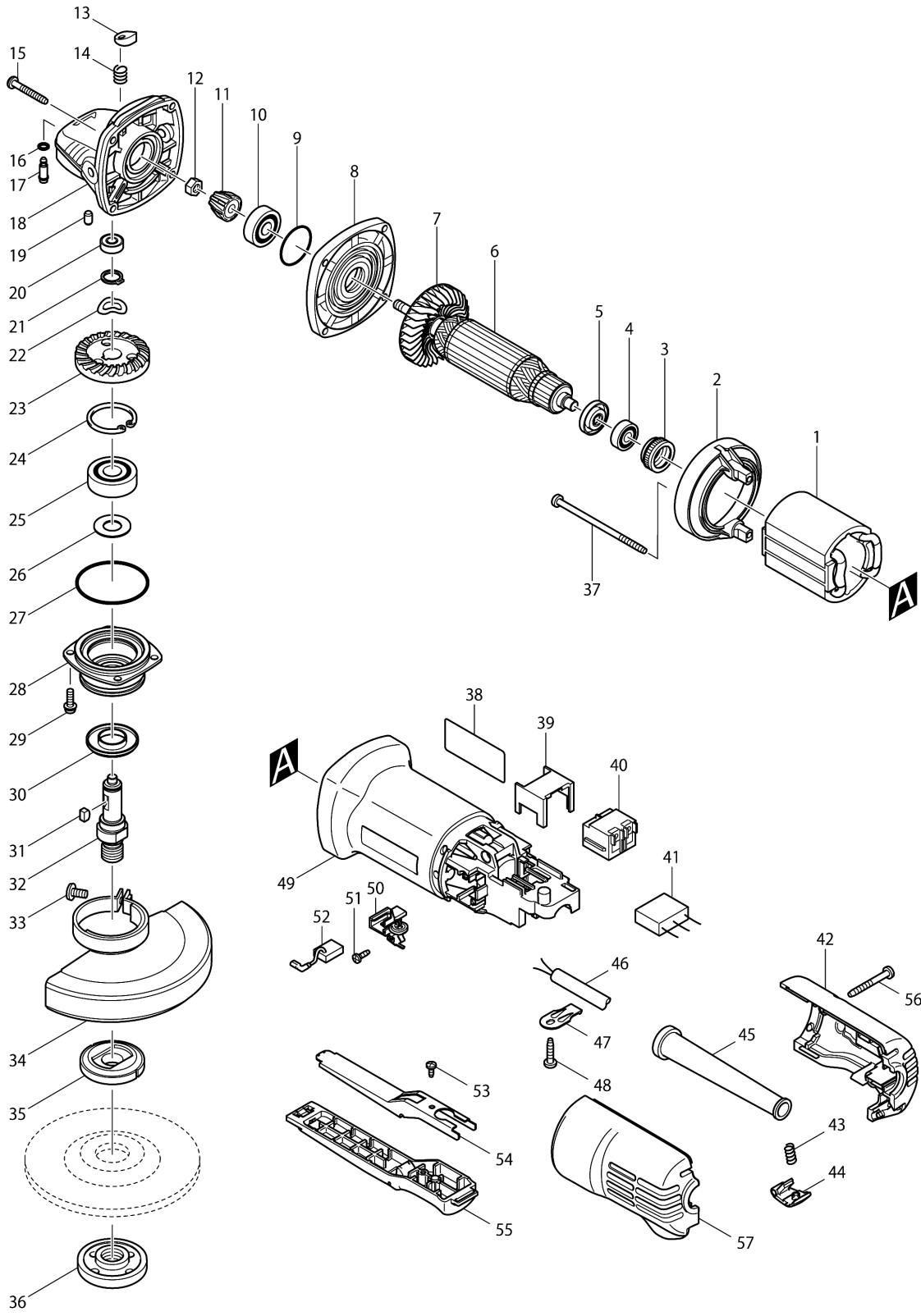


Model No.9558HP 125MM ANGLE GRINDER



Model No.9558HP 125MM ANGLE GRINDER

分解圖號	零件編號	品名	交換	數量	New/Old	選擇1	選擇2	註記
001Y	621708-9	FIELD 220-240V		1				
001Z	621706-3	FIELD 115V		1				
002-1	457791-8	BAFFLE PLATE		1				
003	421868-5	LABYRINTH RUBBER RING 19		1				
004	211021-9	BALL BEARING 607LLB		1				
005	681636-0	INSULATION WASHER		1				
006Y	510107-9	ARMATURE ASS'Y 220- 240V		1				
006Z	510196-4	ARMATURE ASSY 115V		1				
D10		INC. 4,5,7						
007	240076-7	FAN 56		1				
008	317821-6	GEAR HOUSING COVER		1				
009	213445-5	O-RING 26		1				
010	210042-8	BALL BEARING 629LLB		1				
011	227541-3	SPIRAL BEVEL GEAR 10		1				
012	252186-8	HEX. NUT M6		1				
013	417771-6	PIN CAP		1				
014	233376-2	COMPRESSION SPRING 8		1				
015	266361-0	TAPPING SCREW 4X30		4				
016	213960-9	O RING 5		1				
017	256546-6	SHOULDER PIN 4		1				
018	318941-9	GEAR HOUSING		1				
019	263002-9	RUBBER PIN 4		1				
020	210006-2	BALL BEARING 696ZZ		1				
021	961052-5	RETAINING RING S-12		1				
022	267794-2	WAVE WASHER 12		1				
023	227542-1	SPIRAL BEVEL GEAR 37		1				
024	962151-6	RETAINING RING R-32		1				
025	211129-9	BALL BEARING 6201DDW		1				
026	267238-2	FLAT WASHER 12		1				
027	213622-9	O RING 45		1				
028	318331-6	BEARING BOX		1				
029	265099-4	PAN HEAD SCREW M4X14		4				
030	345464-4	LABYRINTH RING		1				
031	254011-9	WOODRUFF KEY 4		1				
032	324489-1	SPINDLE		1				
033	265180-1	PAN HEAD SCREW M5X16		1				
034	123099-9	WHEEL COVER 125AK ASSEMBLY		1				
C10	213009-5	O RING 4		1				

Model No.9558HP 125MM ANGLE GRINDER

分解圖號	零件編號	品名	交換	數量	New/Old	選擇1	選擇2	註記
D10		INC. 33						
035	224415-9	INNER FLANGE 42		1				
036	224554-5	LOCK NUT 14-45		1				
037	266345-8	TAPPING SCREW 4X80		2				
038	865898-0	9558HP NAME PLATE		1				
039	418729-8	SPACER		1				
040-1	651947-7	SWITCH 1247.0302		1				
041	645233-6	NOISE SUPPRESSOR		1				
042	183943-2	REAR COVER SET		1				
D10		INC. 57						
044	419057-4	CAP		1				
045Y	682559-5	CORD GUARD 8		1				
045Z	682566-8	CORD GUARD 10		1				
046Y	692021-2	POWER SUPPLY CORD 1.0-2-2.5		1				
046Z	665918-8	POWER SUPPLY CORD 1.0-2-2.5		1				
047	687169-3	STRAIN RELIEF		1				
048	266326-2	TAPPING SCREW 4X18		1				
049	418838-3	MOTOR HOUSING		1				
050	643760-7	BRUSH HOLDER		2				
051	266007-8	TAPPING SCREW BIND PT 3X10		4				
052	194074-2	CARBON BRUSH CB-325		1				
053-1	266492-5	TAPPING SCREW 3X8		1				
054	345504-8	PLATE		1				
055	154584-1	SWITCH LEVER B COMPLETE		1				
056	266351-3	TAPPING SCREW 4X35		2				
057	183943-2	REAR COVER SET		1				
D10		INC. 42						
058-1	892373-3	CLEAR LABEL		1				
A01	153489-2	GRIP 36 COMPLETE		1				
A02	782423-1	LOCK NUT WRENCH 35		1				
E01Z	655030-2	PLUG UK TYPE 16A-4H/110V		1				

Please order the parts with part number.

Print Date 6/9/2019