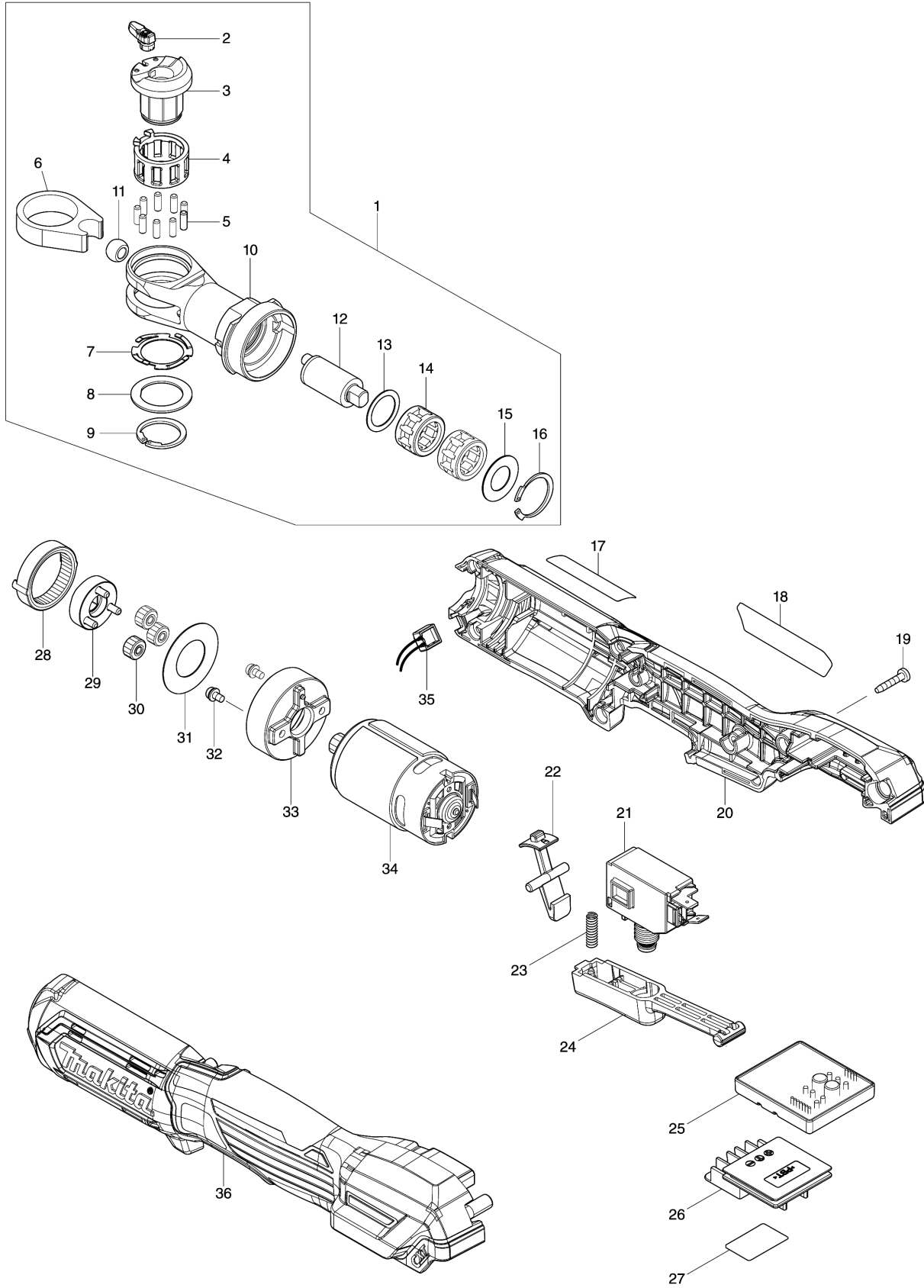


Model No.WR100D CORDLESS RATCHET WRENCH



Model No.WR100D CORDLESS RATCHET WRENCH

| 分解圖號 | 零件編號 | 品名 | 交換 | 數量 | New/Old | 選擇1 | 選擇2 | 註記 |
|-------|----------|---------------------------|----|----|---------|-----|-----|----|
| 001 | 127297-7 | HEAD ASSEMBLY | | 1 | | | | |
| D10 | | INC. 2-16 | | | | | | |
| 002 | 140K70-4 | LEVER COMPLETE | | 1 | | | | |
| 003 | 327360-8 | ANVIL | | 1 | | | | |
| 004 | 310954-6 | RETAINER RING | | 1 | | | | |
| 005 | 268301-4 | PIN 3 | | 9 | * | | | |
| 005-1 | 256963-0 | PIN 3 | O | 9 | | | | |
| 006 | 327357-7 | RATCHET RING | | 1 | | | | |
| 007 | 232531-3 | LEAF SPRING | | 1 | | | | |
| 008 | 253440-3 | FLAT WASHER 19 | | 1 | | | | |
| 009 | 961078-7 | RETAINING RING (EXT) S-18 | | 1 | | | | |
| 010 | 327356-9 | RATCHET HEAD | | 1 | | | | |
| 011 | 327359-3 | BUSH | | 1 | | | | |
| 012 | 327358-5 | SPINDLE | | 1 | | | | |
| 013 | 253147-1 | FLAT WASHER 15 | | 1 | | | | |
| 014 | 212228-0 | NEEDLE CAGE 1412 | | 2 | | | | |
| 015 | 253084-9 | FLAT WASHER 12 | | 1 | | | | |
| 016 | 962112-6 | RETAINING RING R-22 | | 1 | | | | |
| 018 | 855X38-2 | WR100D NAME PLATE | | 1 | | | | |
| 019 | 266429-2 | TAPPING SCREW 3X16 | | 7 | | | | |
| 020 | 183L81-2 | HOUSING SET | | 1 | | | | |
| D10 | | INC. 36 | | | | | | |
| 021 | 651391-8 | SWITCH C3JW-6BM-PN | | 1 | | | | |
| 022 | 459422-5 | LOCK LEVER | | 1 | | | | |
| 023 | 232353-1 | COMPRESSION SPRING 4 | | 1 | | | | |
| 024 | 459421-7 | SWITCH LEVER | | 1 | | | | |
| 025 | 620A96-7 | CONTROLLER | | 1 | | | | |
| D10 | | INC. 35 | | | | | | |
| 026 | 644813-5 | TERMINAL | | 1 | | | | |
| 027 | 855X44-7 | WR100D SERIAL NO. LABEL | | 1 | | | | |
| 028 | 226897-1 | INTERNAL GEAR 41 | | 1 | | | | |
| 029 | 140K71-2 | CARRIER COMPLETE | | 1 | | | | |
| 030 | 226898-9 | SPUR GEAR 14 | | 3 | | | | |
| 031 | 267235-8 | FLAT WASHER 18 | | 1 | | | | |
| 032 | 265A38-0 | P.H.SCREW M3X6 WITH WR | | 2 | | | | |
| 033 | 310953-8 | INTERNAL GEAR CASE | | 1 | | | | |
| 034 | 629413-2 | DC MOTOR | | 1 | | | | |
| 035 | 620B10-9 | LED CIRCUIT | | 1 | | | | |
| 036 | 183L81-2 | HOUSING SET | | 1 | | | | |
| D10 | | INC. 20 | | | | | | |
| A01 | 191A50-3 | SOCKET ADAPTOR 9.5 SET | | 1 | | | | |
| C10 | 231952-6 | RING SPRING 12 | | 1 | | | | |

Please order the parts with part number.

Print Date 1/8/2019

Model No.WR100D CORDLESS RATCHET WRENCH

| 分解圖號 | 零件編號 | 品名 | 交換 | 數量 | New/Old | 選擇1 | 選擇2 | 註記 |
|------|-----------|-------------------------|----|----|---------|-----|-----|----|
| A02 | 191A51-1 | SOCKET ADAPTOR 6.35 SET | | 1 | | | | |
| C10 | 231952-6 | RING SPRING 12 | | 1 | | | | |
| A03Y | ***DC10SB | DC10SB BATTERY CHARGER | | 1 | | | | |
| D10 | | COMPO-PARTS | | | | | | |
| A04Y | 197396-9 | BATTERY BL1021B SET | | 2 | | | | |
| A07Y | 140L92-0 | PLASTIC CASE COMPLETE | | 1 | | | | |
| C10 | 417724-5 | LATCH | | 2 | | | | |
| A10Y | 456128-6 | BATTERY COVER | | 1 | | | | |

Please order the parts with part number.

Print Date 1/8/2019