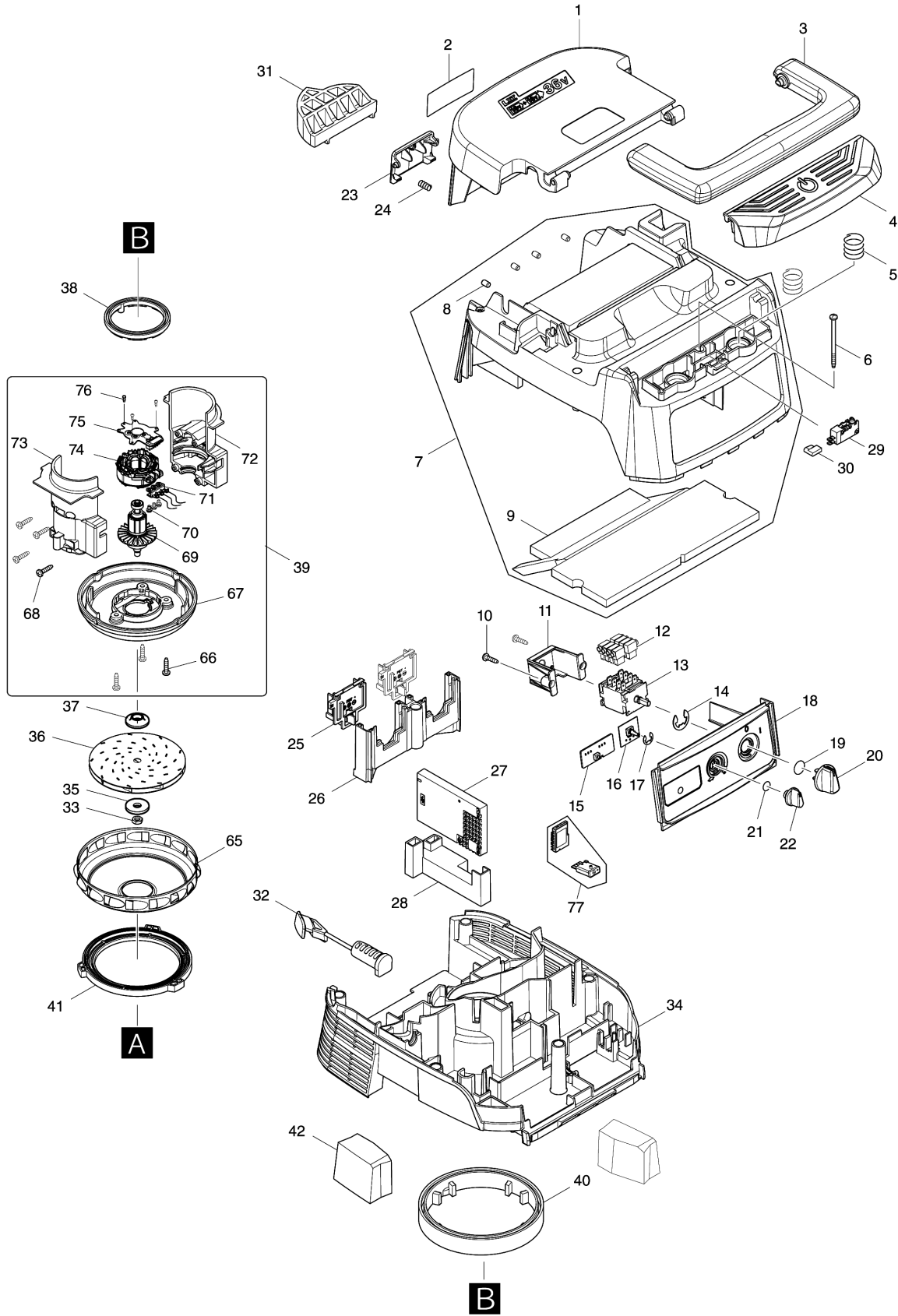
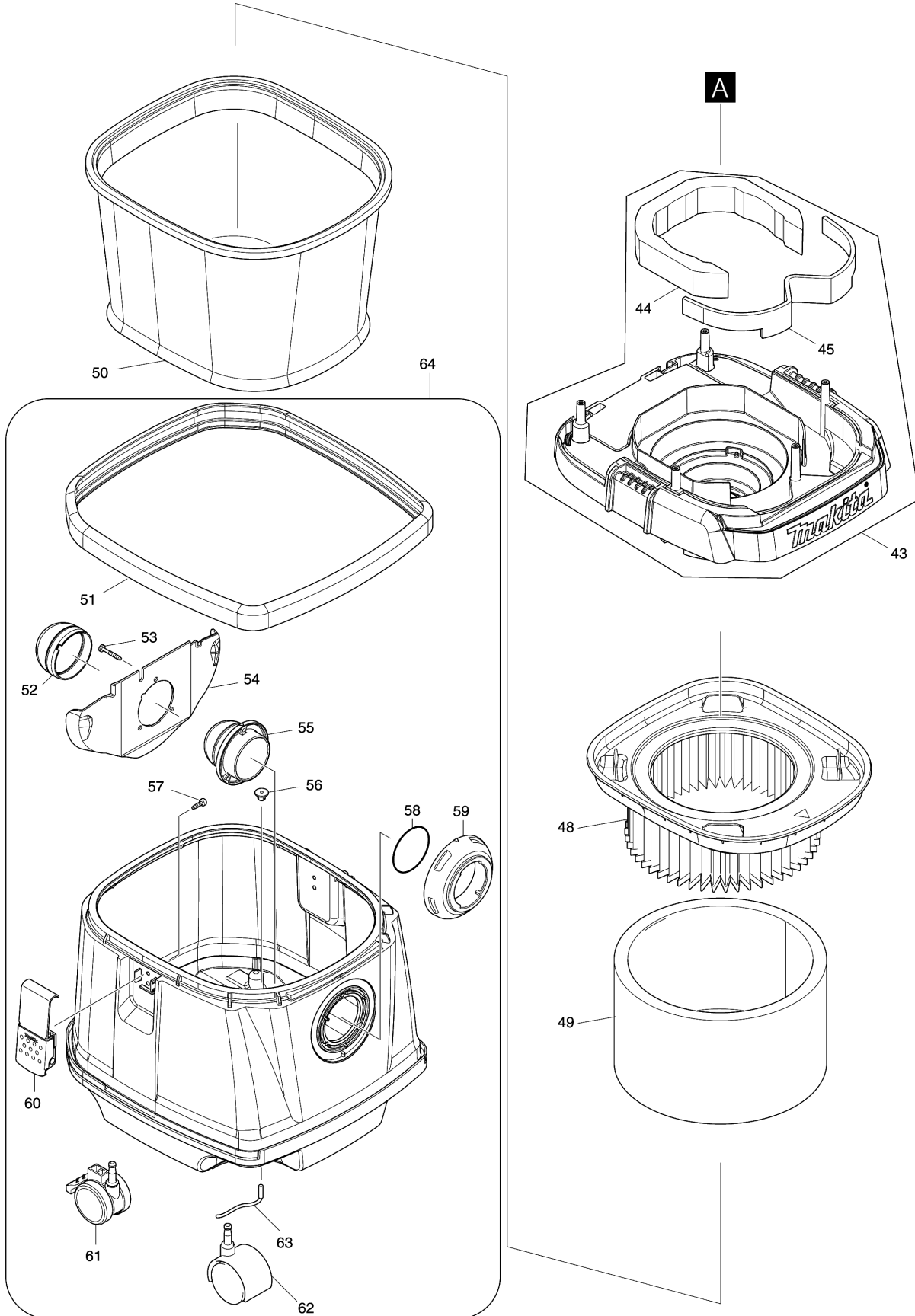


Model No.DVC154L CORDLESS VACUUM CLEANER



Model No.DVC154L CORDLESS VACUUM CLEANER



Model No.DVC154L CORDLESS VACUUM CLEANER

分解圖號	零件編號	品名	交換	數量	New/Old	選擇1	選擇2	註記
001	144486-9	BATTERY COVER COMPLETE		1				
C10	891977-8	CAUTION LABEL		1				
002	855W78-4	DVC154L NAME PLATE		1				
003	455734-4	GRIP		1				
004	459262-1	SWITCH BUTTON		1				
005	234273-5	COMPRESSION SPRING 20		2				
006	266340-8	TAPPING SCREW 4X65		6				
007	144973-8	COWLING COMPLETE		1				
D10		INC. 8,9						
008	263005-3	RUBBER PIN 6		4				
009	424688-6	TOP DAMPER		1				
010	266326-2	TAPPING SCREW 4X18		2				
011	451343-7	SWITCH HOLDER		1				
012	686023-8	RECEPTACLE SLEEVE		8				
013	651098-6	SWITCH 1703.4801		1				
014	961062-2	STOP RING E-12		1				
015	620649-6	LED CIRCUIT		1				
016	631922-9	SUB CONTROLLER		1				
017	961013-5	STOP RING E-7		1				
018	140H44-7	SWITCH BASE COMPLETE		1				
C10	812D41-6	INDICATION LABEL		1				
C20	818H47-6	SWITCH LABEL		1				
019	213176-6	O RING 14		1				
020	455733-6	SWITCH LEVER		1				
021	213054-0	O RING 9		1				
022	451344-5	SWITCH DIAL		1				
023	455728-9	BATTERY COVER HOOK		1				
024	231240-1	COMPRESSION SPRING 7		1				
025	644808-8	TERMINAL		2				
026	455729-7	TERMINAL BASE		1				
027	620726-4	CONTROLLER		1				
028	457609-3	CONTROLLER HOLDER		1				
029	651910-0	SWITCH D2VW-01-3HS		1				
030	686039-3	RECEPTACLE SLEEVE		1				
031	424981-8	SPACER		1				
032	424980-0	CAP		1				
033	252268-6	HEX. NUT M6		1				
034	455726-3	SEPARATER		1				
035	253752-4	FLAT WASHER 8		1				
036	240178-9	FAN 104		1				
037	313062-2	FLANGE		1				
038	424685-2	RUBBER RING 60		1				

Please order the parts with part number.

Print Date 30/7/2019

Model No.DVC154L CORDLESS VACUUM CLEANER

分解圖號	零件編號	品名	交換	數量	New/Old	選擇1	選擇2	註記
039	123974-9	MOTOR ASSEMBLY		1				
D10		INC. 66-76						
040	424686-0	RUBBER RING 120		1				
041	424687-8	SUPPORT RING		1				
042	424690-9	REAR BLOCK FILTER		2				
043	143175-3	TANK COVER COMPLETE		1				
D10		INC. 44,45						
044	424691-7	BAND DAMPER		1				
045	424689-4	FRONT DAMPER		1				
048	197166-6	POWDER FILTER H SET		1				
049	423398-2	DAMPER		1				
050	140253-0	PRE-FILTER COMPLETE		1				
051	422148-2	BUMPER		1				
052	424382-0	RUBBER HOLDER		1				
053	266257-5	TAPPING SCREW 4X28		3				
054	419351-4	HOLDER PLATE		1				
055	419350-6	HOLDER		1				
056	421468-1	CORD SEAL		1				
057	266192-7	TAPPING SCREW 4X14		4				
058	213655-4	O RING 56		1				
059	451348-7	INLET		1				
060	168537-4	HOOK		2				
061	168535-8	CASTER 50		2				
062	168434-4	CASTER 50		2				
063	649150-2	EARTH LINE 120		1				
064	191B57-5	TANK ASSEMBLY SET B		1				
D10		INC. 51-63						
065	347171-5	FAN COVER		1				
066	266326-2	TAPPING SCREW 4X18		3				
067	457486-3	FAN BASE		1				
068	266326-2	TAPPING SCREW 4X18		4				
069	619431-8	ROTOR		1				
070	652069-6	FLAT HEAD SCREW M3X6		3				
071	632J83-8	LEAD UNIT		1				
072	183F90-5	MOTOR HOUSING SET		1				
D10		INC. 73						
073	183F90-5	MOTOR HOUSING SET		1				
D10		INC. 72						
074	629256-2	STATOR		1				
075	620648-8	CONTROLLER B		1				
076	266490-9	TAPPING SCREW PT 2X6		3				
077	620755-7	WIRELESS UNIT COMPLETE		1				

Please order the parts with part number.

Print Date 30/7/2019

Model No.DVC154L CORDLESS VACUUM CLEANER

分解圖號	零件編號	品名	交換	數量	New/Old	選擇1	選擇2	註記
A01	195433-3	HOSE COMPLETE 28-3.5 SET		1				
C10	417191-4	CUFF LOCK		1				
C20	417586-1	STOPPER		1				
C30	417662-1	SLEEVE		1				
C40	417766-9	FRONT CUFF 38		1				
D10		INC. A03,A04						
A02	195432-5	POLY BAG SET(650X650)		1				
A03	417765-1	FRONT CUFF 22		1				
A04	424379-9	FRONT CUFF 24		1				
A05	455732-8	TOOL BOX		1				
E01	891978-6	CAUTION LABEL		1				

Please order the parts with part number.

Print Date 30/7/2019