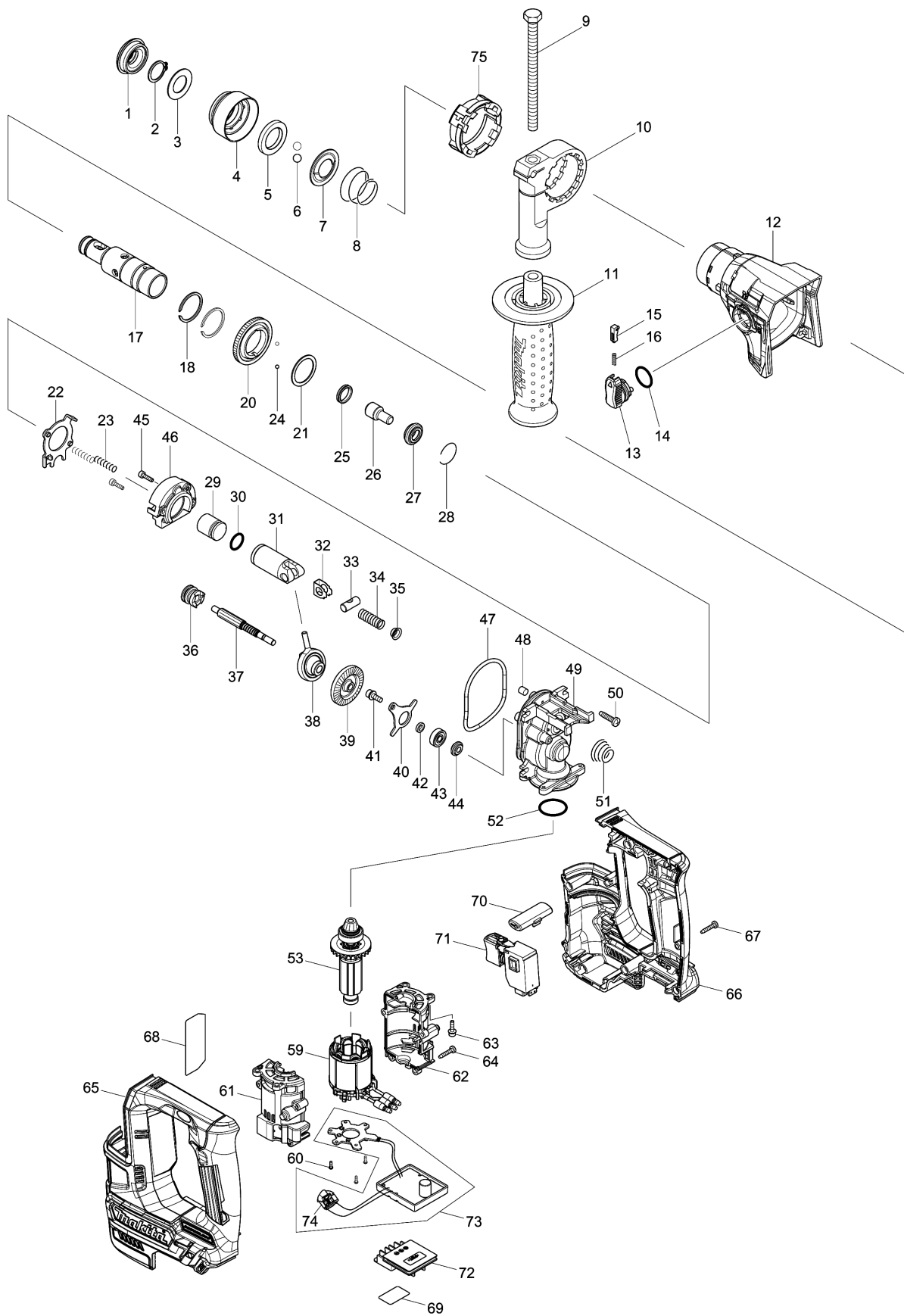


# Model No.HR166D 16MM CORDLESS ROTARY HAMMER



Model No.HR166D 16MM CORDLESS ROTARY HAMMER

分解圖號	零件編號	品名	交換	數量	New/Old	選擇1	選擇2	註記
001	286037-3	CAP 34		1				
002	961057-5	檔圈 S-17		1				
003	253377-4	FLAT WASHER 17		1				
004	457214-6	CHUCK COVER		1				
005	257416-2	RING 21		1				
006	216022-2	鋼珠 7		2				
007	346177-0	引導華司		1				
008	232347-6	CONICAL COMP. SPRING 21-29		1				
009	921923-8	六角頭螺絲 M8X120		1				
010	417911-6	把手座		1				
011	158057-6	把手頭 36		1				
012	144218-4	GEAR HOUSING COMPLETE		1				
C10	211375-4	軸承 6805LLB		1				
C20	213788-5	OIL SEAL 25		1				
013	161569-0	CHANGE LEVER COMPLETE		1				
014	213278-8	O圈17		1				
015	161568-2	LOCK BUTTON COMPLETE		1				
016	232344-2	COMPRESSION SPRING 3		1				
017	326841-9	TOOL HOLDER		1				
018	961135-1	擋圈WR-25		2				
020	221483-3	SPUR GEAR 57		1				
021	267175-0	F華士 24		1				
022	161570-5	CHANGE PLATE COMPLITE		1				
023	233194-8	扭力彈簧4 F/UC120DW		2				
024	216019-1	鋼珠 3		2				
025	213183-9	X圈13		1				
026	326843-5	IMPACT BOLT		1				
027	326842-7	RING 10		1				
028	232343-4	RING SPRING 23		1				
029	326844-3	STRIKER		1				
030	213128-7	圈12		1				
031	319510-9	PISTON CYLINDER		1				
032	347101-6	GUIDE PLATE		1				
033	326846-9	PISTON JOINT		1				
034	232346-8	COMPRESSION SPRING 8		1				
035	347102-4	SPRING GUIDE		1				
036	326845-1	CLUTCH CAM		1				
037	221482-5	SPUR GEAR 8		1				
038	219026-3	SWASH BEARING 6		1				
039	221481-7	SPIRAL BEVEL GEAR 37		1				
040	347100-8	BEARING RETAINER		1				
041	266273-7	內六角螺絲 M4X12		1				
042	257415-4	RING 5		1				
043	210065-6	培林 625ZZ		1				

Model No.HR166D 16MM CORDLESS ROTARY HAMMER

分解圖號	零件編號	品名	交換	數量	New/Old	選擇1	選擇2	註記
044	326847-7	RING 5		1				
045	265910-0	六角承窩圓柱頭螺柱 M3X12		2				
046	144219-2	INNER SUPPORT COMPLETE		1				
047	213092-2	O-RING 60		1	*			
047-1	213889-9	O-RING 58	<	1				
048	443138-2	過濾器		1				
049	319508-6	INNER HOUSING		1	*			
049-1	140N37-0	INNER HOUSING COMPLETE	<	1				
050	265995-6	攻牙螺絲 4X18		4				
051	232345-0	CONICAL COMP. SPRING 8-19		1				
052	213008-7	O圈 22.4		1				
053	619421-1	ROTOR		1	*			
053-1	619421-1	ROTOR	O	1				
059	629244-9	STATOR		1				
060	266490-9	盤頭螺絲 PT 2X6		3				
061	183G09-0	MOTOR CASE SET		1				
D10		INC. 62						
062	183G09-0	MOTOR CASE SET		1				
D10		INC. 61						
063	251510-2	H. S. HEAD BOLT M3X12 WITH WRM		4				
064	266130-9	螺絲 PT3X6		4				
065	183G15-5	HOUSING SET		1				
C10	262182-8	RUBBER RING 6		2				
C20	263002-9	橡皮銷 4		2				
C30	252126-6	六角鎖定螺母M4-7		2				
D10		INC. 66						
066	183G15-5	HOUSING SET		1				
C10	262182-8	RUBBER RING 6		2				
C20	263002-9	橡皮銷 4		2				
C30	252126-6	六角鎖定螺母M4-7		2				
D10		INC. 65						
067	266130-9	螺絲 PT3X6		9				
068W	853A89-1	HR166D NAME PLATE		1	*			
068X	853A89-1	HR166D NAME PLATE		1	*			
068Y	853A74-4	HR166D NAME PLATE		1				
068Z	853A74-4	HR166D NAME PLATE		1				
068-1W	853A74-4	HR166D NAME PLATE	<	1				
068-1X	853A74-4	HR166D NAME PLATE	<	1				
069	853A95-6	HR166D SERIAL NO. LABEL		1				
070	457210-4	F/R CHANGE LEVER		1				
071	650689-0	起動變速開關		1				
072	644813-5	端子		1				
073	620578-3	CONTROLLER		1				
D10		INC. 74						

Model No.HR166D 16MM CORDLESS ROTARY HAMMER

分解圖號	零件編號	品名	交換	數量	New/Old	選擇1	選擇2	註記
074	620553-9	LED CIRCUIT		1				
A01	415486-9	定位桿		1				
A02Y	456128-6	BATTERY COVER		1				
A03W	***DC10WD	DC10WD BATTERY CHARGER		1				
D10		COMPO-PARTS						
A03X	***DC10SB	DC10SB BATTERY CHARGER		1				
D10		COMPO-PARTS						
A03Y	***DC10SB	DC10SB BATTERY CHARGER		1				
D10		COMPO-PARTS						
A04W	197406-2	BATTERY BL1041B SET		1	*			
A04X	197396-9	BATTERY BL1021B SET		1	*			
A04Y	197406-2	BATTERY BL1041B SET		2	*			
A04-1W	197406-2	BATTERY BL1041B SET	O	1				
A04-1X	197396-9	BATTERY BL1021B SET	O	1				
A04-1Y	197406-2	BATTERY BL1041B SET	O	2				
A05W	821736-6	PLASTIC CASE		1				
C10	455522-9	SLIDE LATCH		2				
A05X	821736-6	PLASTIC CASE		1				
C10	455522-9	SLIDE LATCH		2				
A05Y	821550-0	工具箱-堆疊型2		1				
C10	453974-8	塑膠箱門鎖		4				
A06Y	838683-4	INNER FITMENT		1	*			
A06-1Y	839245-1	INNER TRAY	S	1				
A07Y	812K53-1	HR166DSMJ INDICATION LABEL		1				
A08Y	812K56-5	HR166DSMJ PLASTIC CASE LABEL		2				
A09Y	835121-7	SPONGE 60-80	S	1	*			
A10W	443122-7	布		1				
A10X	443122-7	布		1				
A11W	B-57043	65PCS BIT SET HR166D PROMO		1				
A11X	B-57043	65PCS BIT SET HR166D PROMO		1				
A12W	181573-3	機油		1				
A12X	181573-3	機油		1				
E01	818S14-7	CLEAR LABEL		1				

Please order the parts with part number.

Print Date 21/5/2019