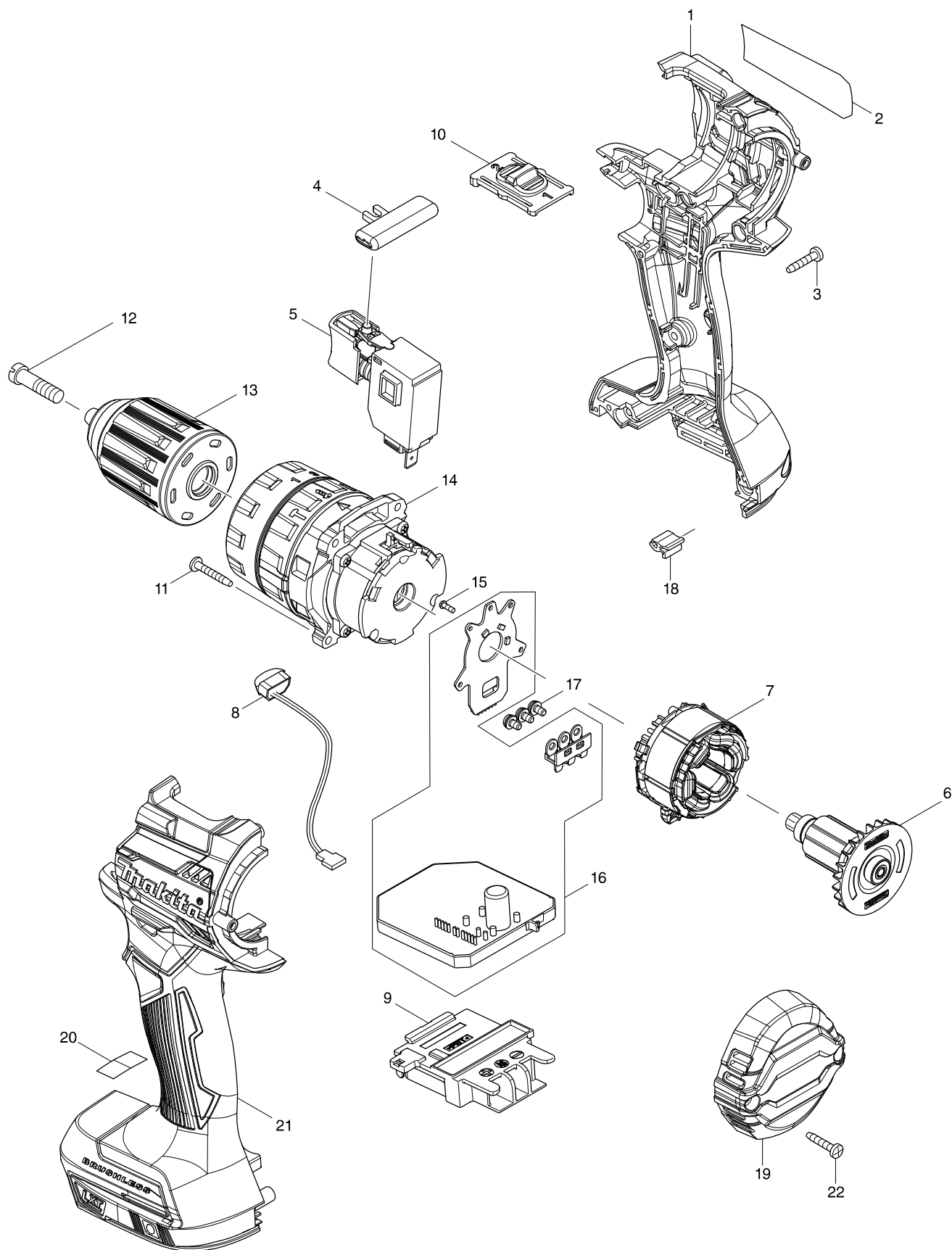


型號 DHP484 CORDLESS HAMMER DRIVER DRILL



型號 DHP484 CORDLESS HAMMER DRIVER DRILL

| 分解圖號 | 零件編號 | 品名 | 交換 | 數量 | N/O | 選擇1 | 選擇2 | 註記 |
|--------|----------|-------------------|----|----|-----|-----|-----|----|
| 001 | 183E71-3 | 外殼組 | | 1 | * | | | |
| C10 | 263005-3 | 橡皮銷 6 | | 2 | * | | | |
| C20 | 252126-6 | 六角鎖定螺母M4-7 | | 2 | * | | | |
| D10 | | INC. 21 | | | * | | | |
| 001-1 | 183L79-9 | HOUSING SET | < | 1 | | | | |
| C10 | 263005-3 | 橡皮銷 6 | | 2 | | | | |
| C20 | 252126-6 | 六角鎖定螺母M4-7 | | 2 | | | | |
| D10 | | INC. 21 | | | | | | |
| 002 | 852L96-7 | DHP484 NAME PLATE | | 1 | | | | |
| 003 | 266429-2 | 自攻螺絲 3X16 | | 7 | | | | |
| 004 | 419041-9 | 正逆切換桿 | | 1 | | | | |
| 005 | 650710-5 | 開關 | | 1 | | | | |
| 006 | 619406-7 | 轉子 | | 1 | * | | | |
| 006-1 | 619406-7 | 轉子 | ○ | 1 | | | | |
| 007 | 629225-3 | 定子18V | | 1 | | | | |
| 008 | 620549-0 | 本體外殼組 | | 1 | | | | |
| 009 | 643874-2 | 端子座 | | 1 | | | | |
| 010 | 123738-1 | 變速桿組件 | | 1 | | | | |
| C10 | 233438-6 | 壓縮彈簧4 | | 2 | | | | |
| 011 | 251497-8 | 自攻螺絲 3X20 | | 4 | | | | |
| 012 | 251468-5 | 平頭螺絲 M6X22 | | 1 | | | | |
| 013 | 766027-7 | 夾頭 13 | | 1 | | | | |
| 014A | 123736-5 | 齒輪組件 | | 1 | * | | | |
| 014C | 123736-5 | 齒輪組件 | | 1 | * | | | |
| 014D | 123736-5 | 齒輪組件 | | 1 | * | | | |
| 014E | 123736-5 | 齒輪組件 | | 1 | * | | | |
| 014-1A | 123953-7 | GEAR ASSEMBLY | < | 1 | * | | | |
| 014-1C | 123953-7 | GEAR ASSEMBLY | < | 1 | * | | | |
| 014-1D | 123953-7 | GEAR ASSEMBLY | < | 1 | * | | | |
| 014-1E | 123953-7 | GEAR ASSEMBLY | < | 1 | * | | | |
| 014-1W | 123953-7 | GEAR ASSEMBLY | | 1 | * | | | |
| 014-1X | 123953-7 | GEAR ASSEMBLY | | 1 | * | | | |
| 014-1Y | 123953-7 | GEAR ASSEMBLY | | 1 | * | | | |
| 014-1Z | 123953-7 | GEAR ASSEMBLY | | 1 | * | | | |
| 014-2 | 126729-1 | GEAR ASSEMBLY | < | 1 | | | | |
| 015 | 266490-9 | 盤頭螺絲 PT 2X6 | | 3 | | | | |
| 016 | 620548-2 | 控制器 | | 1 | | | | |
| 017 | 652069-6 | 平頭螺絲M3X6 | | 3 | | | | |
| 018 | 424517-3 | 緩衝墊 | | 1 | | | | |
| 019 | 456967-4 | 後蓋 | | 1 | | | | |
| 021 | 183E71-3 | 外殼組 | | 1 | * | | | |
| C10 | 263005-3 | 橡皮銷 6 | | 2 | * | | | |
| C20 | 252126-6 | 六角鎖定螺母M4-7 | | 2 | * | | | |
| D10 | | INC. 1 | | | * | | | |
| 021-1 | 183L79-9 | HOUSING SET | < | 1 | | | | |
| C10 | 263005-3 | 橡皮銷 6 | | 2 | | | | |
| C20 | 252126-6 | 六角鎖定螺母M4-7 | | 2 | | | | |
| D10 | | INC. 1 | | | | | | |

型號 DHP484 CORDLESS HAMMER DRIVER DRILL

| 分解圖號 | 零件編號 | 品名 | 交換 | 數量 | N/O | 選擇1 | 選擇2 | 註記 |
|------|-----------|---------------------|----|----|-----|-----|-----|----|
| 022 | 266429-2 | 自攻螺絲 3X16 | | 2 | | | | |
| A01 | 251314-2 | 螺絲 M4X12 | | 1 | | | | |
| A02A | 346317-0 | 掛勾(大) | | 1 | | | | |
| A02C | 346317-0 | 掛勾(大) | | 1 | | | | |
| A02D | 346317-0 | 掛勾(大) | | 1 | | | | |
| A02E | 346449-3 | 掛勾(小) | | 1 | | | | |
| A02W | 346449-3 | 掛勾(小) | | 1 | | | | |
| A02X | 346317-0 | 掛勾(大) | | 1 | | | | |
| A02Y | 346317-0 | 掛勾(大) | | 1 | | | | |
| A02Z | 346317-0 | 掛勾(大) | | 1 | | | | |
| A03 | 784637-8 | + - 起子頭 2-45 | | 1 | | | | |
| A04A | 158597-4 | 塑料手提箱 | | 1 | | | | |
| C10 | 417724-5 | 栓 | | 2 | | | | |
| A04D | 158597-4 | 塑料手提箱 | | 1 | | | | |
| C10 | 417724-5 | 栓 | | 2 | | | | |
| A04E | 158597-4 | 塑料手提箱 | | 1 | | | | |
| C10 | 417724-5 | 栓 | | 2 | | | | |
| A04W | 158597-4 | 塑料手提箱 | | 1 | | | | |
| C10 | 417724-5 | 栓 | | 2 | | | | |
| A04X | 158597-4 | 塑料手提箱 | | 1 | | | | |
| C10 | 417724-5 | 栓 | | 2 | | | | |
| A04Y | 158597-4 | 塑料手提箱 | | 1 | | | | |
| C10 | 417724-5 | 栓 | | 2 | | | | |
| A05A | 450128-8 | 電池保護蓋 | | 1 | | | | |
| A05D | 450128-8 | 電池保護蓋 | | 1 | | | | |
| A05E | 450128-8 | 電池保護蓋 | | 1 | | | | |
| A05W | 450128-8 | 電池保護蓋 | | 1 | | | | |
| A05X | 450128-8 | 電池保護蓋 | | 1 | | | | |
| A05Y | 450128-8 | 電池保護蓋 | | 1 | | | | |
| A06A | ***DC18RC | 充電器C/195582-6 | | 1 | | | | |
| D10 | | COMPO-PARTS | | | | | | |
| A06D | ***DC18RC | 充電器C/195582-6 | | 1 | | | | |
| D10 | | COMPO-PARTS | | | | | | |
| A06E | ***DC18SD | 充電器 | | 1 | | | | |
| D10 | | COMPO-PARTS | | | | | | |
| A06W | ***DC18SD | 充電器 | | 1 | | | | |
| D10 | | COMPO-PARTS | | | | | | |
| A06X | ***DC18RC | 充電器C/195582-6 | | 1 | | | | |
| D10 | | COMPO-PARTS | | | | | | |
| A06Y | ***DC18RC | 充電器C/195582-6 | | 1 | | | | |
| D10 | | COMPO-PARTS | | | | | | |
| A07A | 197265-4 | BATTERY BL1840B SET | | 2 | | | | |
| A07D | 197280-8 | BATTERY BL1850B SET | | 2 | | | | |
| A07E | 196235-0 | BATTERY BL1815N SET | | 2 | | | | |
| A07W | 196235-0 | BATTERY BL1815N SET | | 2 | | | | |
| A07X | 197265-4 | BATTERY BL1840B SET | | 2 | | | | |
| A07Y | 197280-8 | BATTERY BL1850B SET | | 2 | | | | |
| | | | | | | | | |