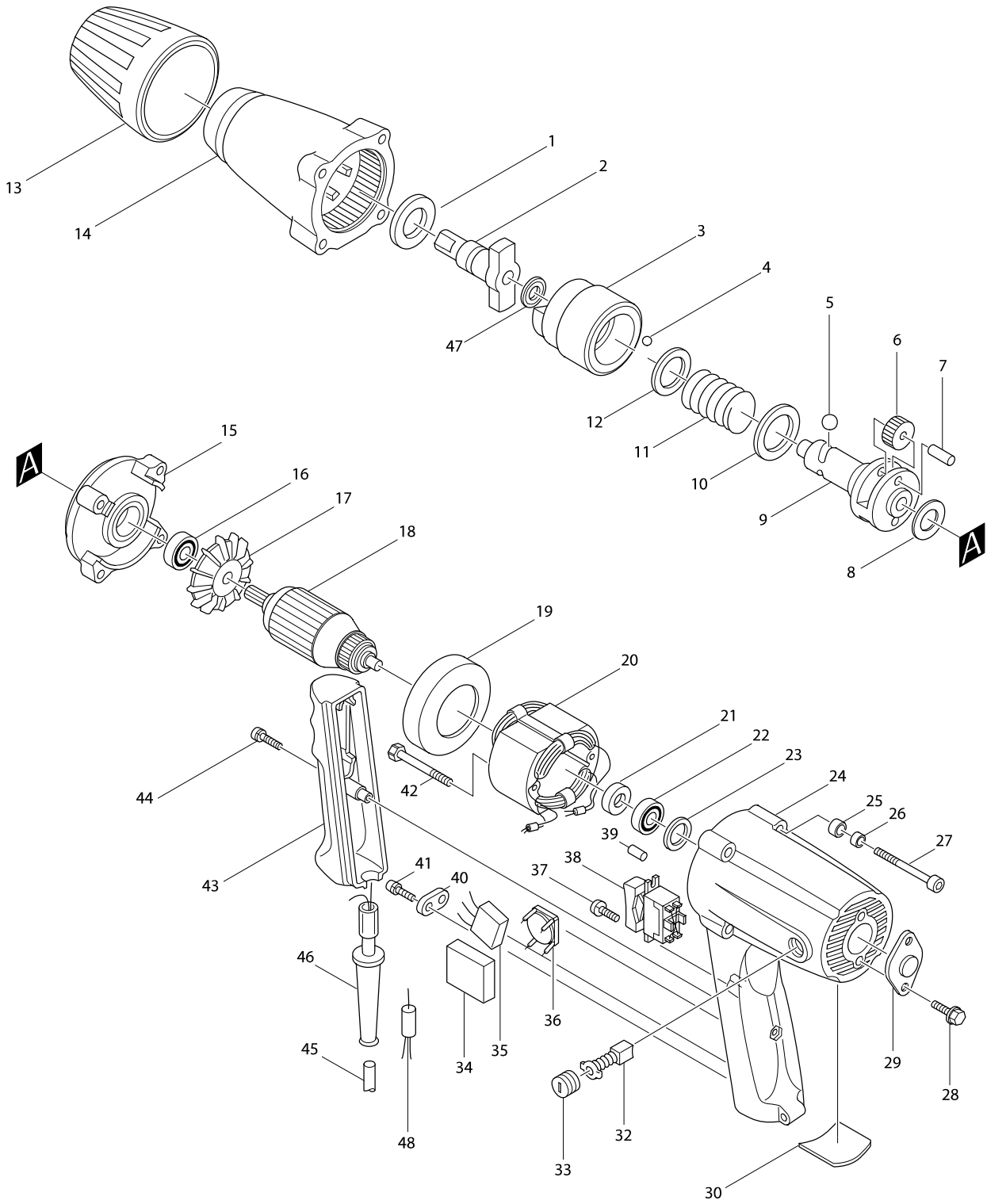


Model No. 6905B IMPACT WRENCH



Model No. 6905B IMPACT WRENCH

Item	Parts No.	Description	I/C	Qty	N/O	Sales	Purch.	Note
001	253937-2	FLAT WASHER 18		1				
002	132311-6	ANVIL ASS'Y		1				
D10		INC. 47						
003-1	322246-1	HAMMER		1				
004	216008-6	STEEL BALL 4		20				
005	216007-8	STEEL BALL 6.4		2				
006	221849-7	SPUR GEAR 33		2				
007	256033-5	PIN 6		2				
008	253794-8	FLAT WASHER 18		1				
009	321118-7	SPINDLE		1				
010	253751-6	FLAT WASHER 24		1				
011	231261-3	COMPRESSION SPRING 24		1				
012	253793-0	FLAT WASHER 22		1				
013	421157-8	BUMPER		1				
014-1	156544-9	HAMMER CASE		1				
C10	213257-6	OIL SEAL 18		1				
C20	221850-2	INTERNAL GEAR 73		1				
C30	321119-5	SLEEVE 18		1				
015	152145-1	BEARING HOUSING COMPLETE		1				
016	211031-6	BALL BEARING 608LLB		1				
017	241622-9	FAN 62		1				
018A_B	515131-7	ARMATURE ASS'Y 115V		1				
D10		INC. 16,17,21,22						
018C_A	515133-3	ARMATURE ASS'Y 220V		1				
D10		INC. 16,17,21,22						
019	411601-3	BAFFLE PLATE		1				
020A_B	625116-6	FIELD 115V		1				
020C_A	625118-2	FIELD 220V		1				
021	681614-0	INSULATION WASHER		1				
022	211026-9	BALL BEARING 627LLB		1	*			
022-1	210025-8	BALL BEARING 627LLB	O	1				
023	262010-7	URETHANE RING 18		1				
024-1	159161-4	MOTOR HOUSING		1				
C10	643557-4	BRUSH HOLDER 5-8		2				
D10		INC. 39						
025	253929-1	CUP WASHER 5		4				
026	262001-8	URETHANE RING 5		4				
027	922903-7	HEX. SOCKET HEAD BOLT M5X50		4				
028	921226-0	HEX. BOLT M5X18		2				
029	285015-0	BEARING COVER 34		1				
030	815442-3	NAME PLATE 6905B		1				
032A_	191628-6	CARBON BRUSH CB-65		1				
033	643550-8	BRUSH HOLDER CAP 5-8		2				
037	911106-8	PAN HEAD SCREW M4X8		1				
038-1	651558-8	SWITCH SL220SD-4		1	*			
038-2	651564-3	SWITCH SL220SD-4	O	1				
039	263002-9	RUBBER PIN 4		1				
040A	687001-1	STRAIN RELIEF		1				

