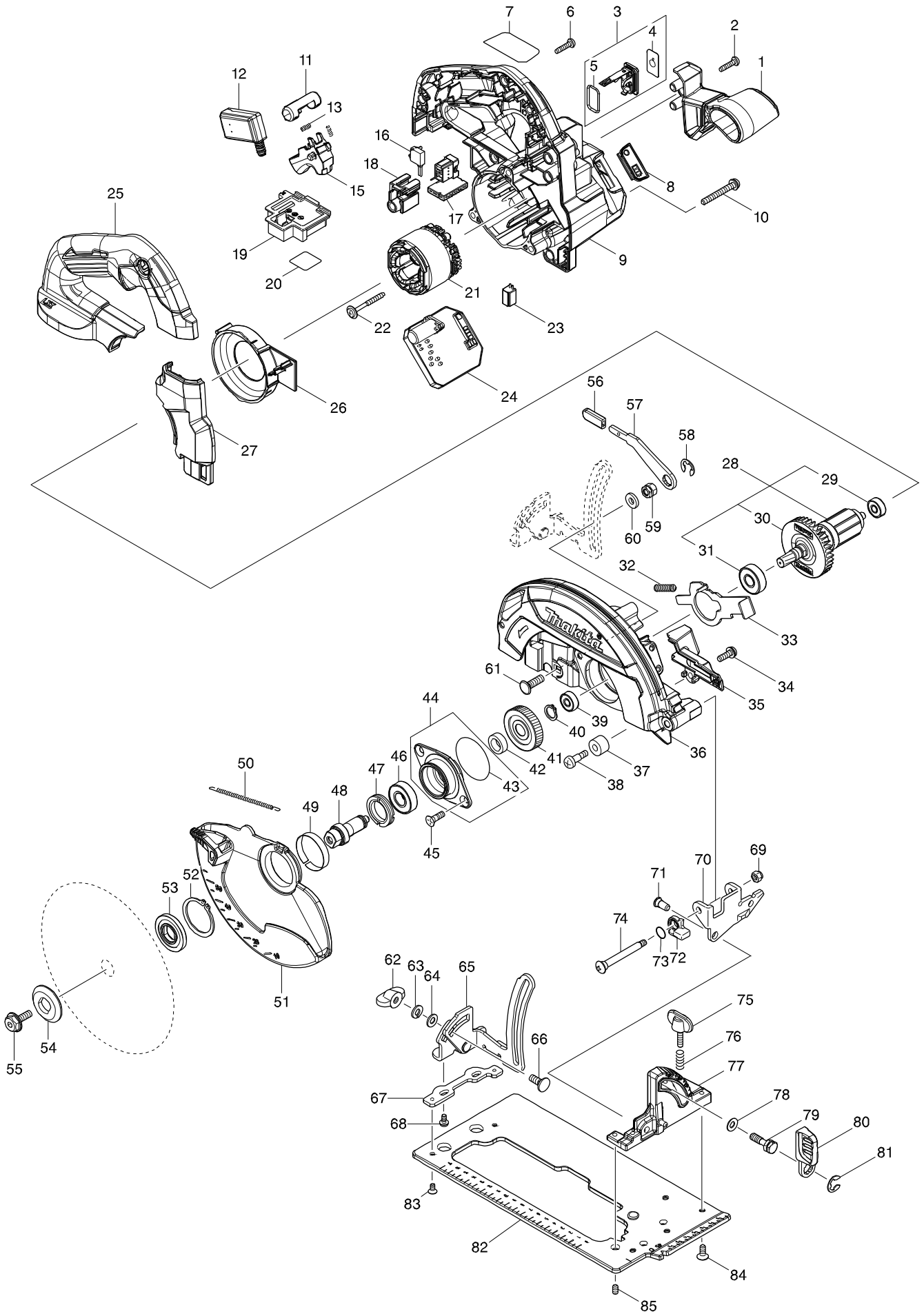


Model No. DHS661 165MM CORDLESS CIRCULAR SAW



Item	Parts No.	Description	I/C	Qty	N/O	Opt. 1	Opt. 2	Note
001	458590-1	FRONT GRIP		1				
002	265995-6	TAPPING SCREW 4X18		1				
003	183J85-2	CAP SET		1	*			
D10		INC. 4,5			*			
003-1	140G30-2	CAP COMPLETE	<	1				
D10		INC. 4,5						
004	813T75-8	CAP LABEL		1	*			
004-1	818H48-4	CAP LABEL	<	1				
005	213218-6	O RING 16		1				
006	265995-6	TAPPING SCREW 4X18		7				
007	854N98-1	DHS661 NAME PLATE		1				
008	144251-6	INDICATION PLATE COMPLETE		1				
009	140C49-7	MOTOR HOUSING COMPLETE		1				
C10	263005-3	RUBBER PIN 6		2				
010	911263-2	PAN HEAD SCREW M5X40		3				
011	419704-7	LOCK OFF BUTTON		1				
012	651083-9	SWITCH C3XA-1PSPM		1				
013	231433-0	COMPRESSION SPRING 4		2				
015	458594-3	SWITCH LEVER		1				
016	632L80-6	SWITCH UNIT		1				
017	620754-9	SUB CONTROLLER		1				
018	458588-8	HOLDER		1				
019	644809-6	TERMINAL		1				
020	854P03-0	DHS661 SERIAL NO. LABEL		1				
021	629362-3	STATOR		1				
022	251517-8	TAPPING SCREW 4X40		2				
023	620936-3	LED CIRCUIT		1				
024	620937-1	CONTROLLER		1	*			
024-1	620A73-9	CONTROLLER	<	1				
025	458584-6	HANDLE COVER		1				
026	458586-2	BAFFLE PLATE		1				
027	458592-7	COVER		1				
028	519527-4	ROTOR ASSY		1				
D10		INC. 29-31						
029	211012-0	BALL BEARING 606ZZ		1				
030	240045-8	FAN 55		1				
031	210059-1	BALL BEARING 6000DDW		1				
032	233117-6	COMPRESSION SPRING 6		1	*			
032-1	233342-9	COMPRESSION SPRING 6	<	1				
033	347400-6	SHAFT LOCK		1				
034	911223-4	PAN HEAD SCREW M5X16		1				
035	458589-6	DUCT		1				
036	140D07-9	BLADE CASE COMPLETE		1				
C10	213821-3	O-RING 26		1				
037	262511-5	RUBBER SLEEVE 6		1				
038	265115-2	+ PAN HEAD SCREW M5		1				
039	211012-0	BALL BEARING 606ZZ		1				
040	961052-5	RETAINING RING S-12		1				

Item	Parts No.	Description	I/C	Qty	N/O	Opt. 1	Opt. 2	Note
041	226192-9	HELICAL GEAR 49		1				
042	257173-2	RING 12		1				
043	213512-6	O RING 39		1				
044	135993-3	BEARING BOX ASSEMBLY		1				
D10		INC. 43						
045	265034-2	+ COUNTERSUNK HEAD SCREW M5X		2				
046	211131-2	BALL BEARING 6001DDW		1				
047	285843-3	BEARING RETAINER 19-29		1				
048	327143-6	SPINDLE		1	*			
048-1	327244-0	SPINDLE	<	1				
049	345469-4	THICKNESS RING		1				
050	231832-6	TENSION SPRING 3		1				
051	458680-0	SAFETY COVER		1				
052	961152-1	RETAINING RING (EXT) S-34		1				
053	224593-5	INNER FLANGE 35		1				
054	224409-4	OUTER FLANGE 35		1				
055	266925-0	HEX.SOCKET HEX.BOLT M6X18		1				
056	286036-5	CAP		1				
057	347399-5	LEVER PLATE		1				
058	257982-9	BOW STOP RING E-8		1				
059	264096-7	HEX. NUT M6		1				
060	267118-2	FLAT WASHER 6		1				
061	266737-1	FLAT HEAD SQ. NECK BOLT M6X20		1				
062	252631-3	THUMB NUT M6		1				
063	942151-2	SPRING WASHER 6		1				
064	941151-9	FLAT WASHER 6		1				
065	161899-9	DEPTH GUIDE COMPLETE		1				
066	265939-6	FLAT HEAD SQ. NECK BOLT M6X14		1				
067	347401-4	REAR GUIDE PLATE		1				
068	265648-7	PAN HEAD SCREW M4X8		2				
069	252103-8	HEX. LOCK NUT M5-8		1				
070	345590-9	ANGULAR GUIDE		1				
071	256480-0	SHOULDER PIN 6-7		1				
072	318823-5	STOPPER		1				
073	213977-2	O RING 7		1				
074	266734-7	+ TRUSS HEAD SCREW M5		1				
075	251896-4	SCREW M5X20		1				
076	231007-7	COMPRESSION SPRING 6		1				
077	319715-1	ANGULAR PLATE		1				
078	941151-9	FLAT WASHER 6		1				
079	266735-5	HEX.BOLT M6X20		1				
080	271446-9	LEVER 45		1				
081	257982-9	BOW STOP RING E-8		1				
082	347398-7	BASE		1				
083	265085-5	+ COUNTERSUNK HEAD SCREW M4X		2				
084	912212-2	COUNTERSUNK HEAD SCREW M5X12		4				
085	266436-5	H.S.SET SCREW(FLAT POINT)M5X8		3				
A01	783203-8	HEX. WRENCH 5		1				

Item	Parts No.	Description	I/C	Qty	N/O	Opt. 1	Opt. 2	Note
A02	B-63018	TCT BLADE 165X25T WOOD EFFICUT		1				
A03	164095-8	GUIDE RULE		1				
A04	199230-9	DUST NOZZLE SET		1				
C10	911233-1	PAN HEAD SCREW M5X20		1				
A05W	817N55-0	DHS661RTJU INDICATION LABEL		1				
A05X	817N49-5	DHS661RTJ INDICATION LABEL		1				
A06W	817N56-8	DHS661RTJU PLASTIC CASE LABEL		2				
A06X	817N50-0	DHS661RTJ PLASTIC CASE LABEL		2				
A07W	821551-8	CONNECTOR PLASTIC CASE (TYPE3)		1				
C10	453974-8	LATCH		4				
A07X	821551-8	CONNECTOR PLASTIC CASE (TYPE3)		1				
C10	453974-8	LATCH		4				
A08W	839752-4	INNER TRAY		1				
A08X	839752-4	INNER TRAY		1				
A09W	450128-8	BATTERY COVER		1				
A09X	450128-8	BATTERY COVER		1				
A10W	***DC18RC	DC18RC FAST CHARGER		1				
D10		COMPO-PARTS						
A10X	***DC18RC	DC18RC FAST CHARGER		1				
D10		COMPO-PARTS						
A11W	197280-8	BATTERY BL1850B SET		2				
A11X	197280-8	BATTERY BL1850B SET		2				
A12W	198900-7	WIRELESS UNIT SET		1	*			
A12Y	198900-7	WIRELESS UNIT SET		1	*			
A12-1W	199393-1	WIRELESS UNIT SET	<	1				
A12-1Y	199393-1	WIRELESS UNIT SET	<	1				