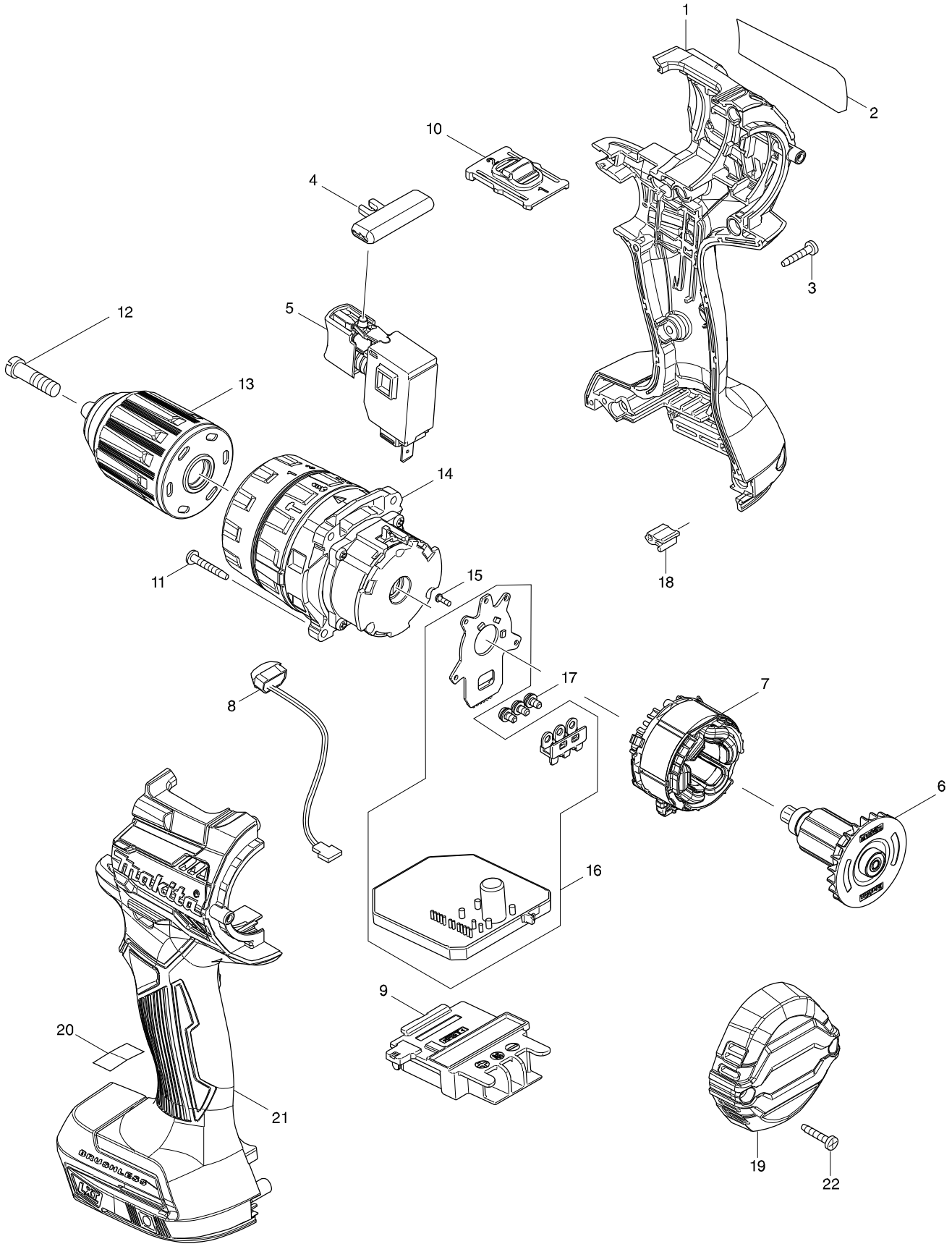


Model No. DHP484 CORDLESS HAMMER DRIVER DRILL



Item	Parts No.	Description	I/C	Qty	N/O	Opt. 1	Opt. 2	Note
001	183E71-3	HOUSING SET		1				
C10	263005-3	RUBBER PIN 6		2				
C20	252126-6	HEX. LOCKING NUT M4-7		2				
D10		INC. 21						
002	852L96-7	DHP484 NAME PLATE		1				
003	266429-2	TAPPING SCREW 3X16		7				
004	419041-9	F/R CHANGE LEVER		1				
005	650710-5	SWITCH C3JW-4B		1				
006	619406-7	ROTOR		1				
007	629225-3	STATOR		1				
008	620549-0	LED CIRCUIT		1				
009	643874-2	TERMINAL		1				
010	123738-1	SPEED CHANGE LEVER ASSEMBLY		1				
C10	233438-6	COMPRESSION SPRING 4		2				
011	251497-8	TAPPING SCREW 3X20		4				
012	251468-5	- FLAT HEAD SCREW M6X22		1				
013	766027-7	KEYLESS DRILL CHUCK 13		1				
014A	123736-5	GEAR ASSEMBLY		1	*			
014C	123736-5	GEAR ASSEMBLY		1	*			
014D	123736-5	GEAR ASSEMBLY		1	*			
014E	123736-5	GEAR ASSEMBLY		1	*			
014-1A	123953-7	GEAR ASSEMBLY	<	1	*			
014-1C	123953-7	GEAR ASSEMBLY	<	1	*			
014-1D	123953-7	GEAR ASSEMBLY	<	1	*			
014-1E	123953-7	GEAR ASSEMBLY	<	1	*			
014-1W	123953-7	GEAR ASSEMBLY		1	*			
014-1X	123953-7	GEAR ASSEMBLY		1	*			
014-1Y	123953-7	GEAR ASSEMBLY		1	*			
014-1Z	123953-7	GEAR ASSEMBLY		1	*			
014-2	126729-1	GEAR ASSEMBLY	<	1				
015	266490-9	TAPPING SCREW PT 2X6		3				
016	620548-2	CONTROLLER		1				
017	652069-6	FLAT HEAD SCREW M3X6		3				
018	424517-3	CUSHION		1				
019	456967-4	REAR COVER		1				
021	183E71-3	HOUSING SET		1				
C10	263005-3	RUBBER PIN 6		2				
C20	252126-6	HEX. LOCKING NUT M4-7		2				
D10		INC. 1						
022	266429-2	TAPPING SCREW 3X16		2				
A01	251314-2	+ SCREW M4X12		1				
A02A	346317-0	HOOK		1				
A02C	346317-0	HOOK		1				
A02D	346317-0	HOOK		1				
A02E	346449-3	HOOK		1				
A02W	346449-3	HOOK		1				
A02X	346317-0	HOOK		1				
A02Y	346317-0	HOOK		1				

