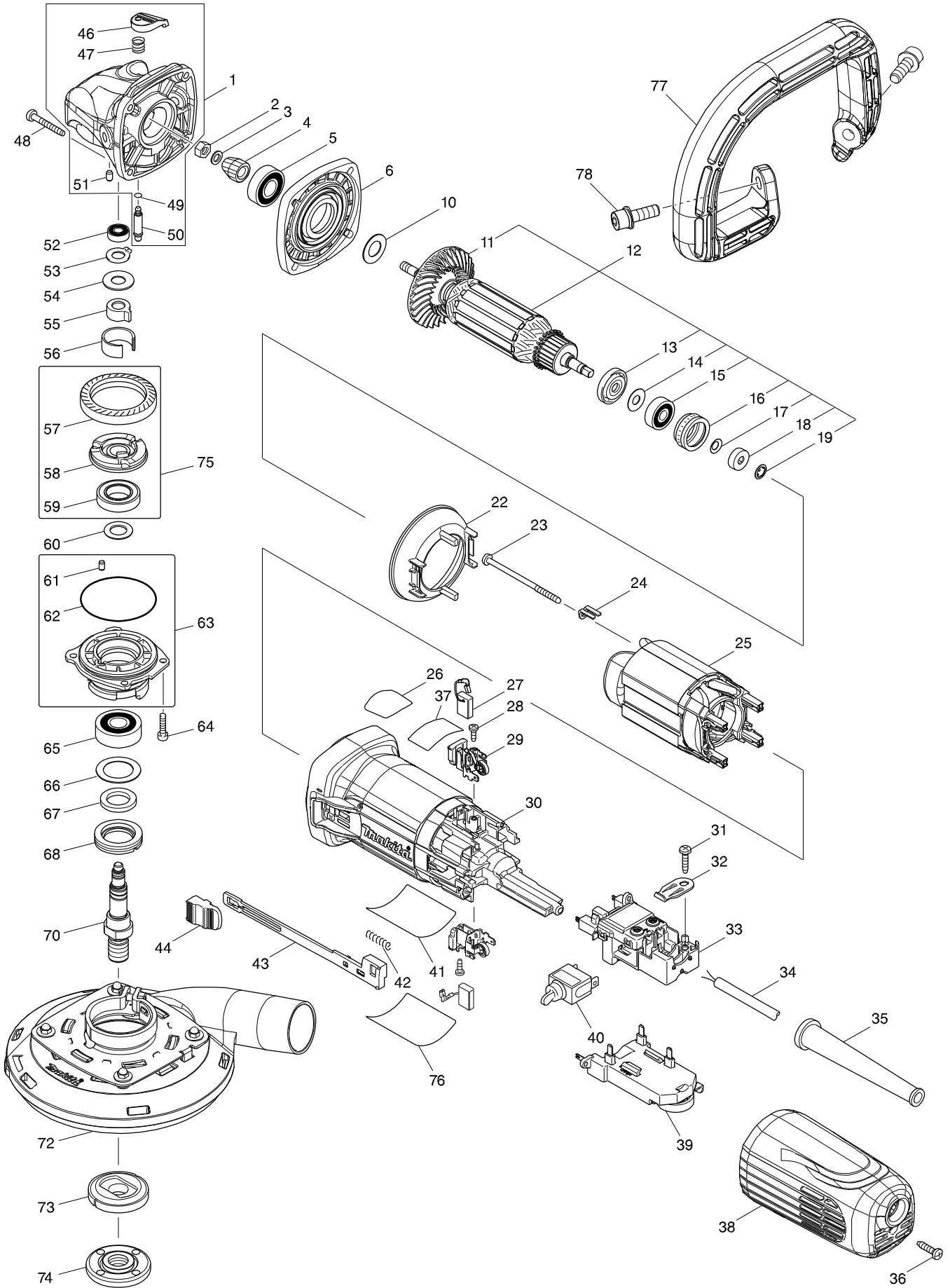


Model No. PC5010C 125MM CONCRETE PLANER



Item	Parts No.	Description	I/C	Qty	N/O	Opt. 1	Opt. 2	Note
001	136013-6	GEAR HOUSING ASS'Y		1				
D10		INC. 46,47,49-51						
002	252186-8	HEX. NUT M6		1				
003	253077-6	FLAT WASHER 6		1				
004	227593-4	SPIRAL BEVEL GEAR 9		1				
005	211142-7	BALL BEARING 6001LLB		1				
006	141981-0	GEAR HOUSING COVER COMPLETE		1				
010	253084-9	FLAT WASHER 12		1				
011	240134-9	FAN 60		1				
D10		INC. 11,13-19						
012A	510378-8	ARMATURE ASS'Y 220-240V		1				
012Z	510375-4	ARMATURE ASS'Y 100-115V		1				
013	681656-4	INSULATION WASHER		1				
014	253823-7	FLAT WASHER 7		1				
015	210027-4	BALL BEARING 627DDW		1				
016	421738-8	LABYRINTH RUBBER RING 22		1				
017	267756-0	WAVE WASHER 6		1				
018	688117-5	MAGNET SLEEVE		1				
019	259039-2	SELF LOCK 6		1				
022	453367-9	BUFFLE PLATE		1				
023	266258-3	TAPPING SCREW 4X70		2				
024	344871-8	RETAINER		2				
025A	626653-3	FIELD 220-240V		1				
025Z	626651-7	FIELD 115V		1				
026	898443-6	SJS2 MARK LABEL		1				
027	191978-9	A.C. CARBON BRUSH CB-318		1				
028	266007-8	TAPPING SCREW BIND PT 3X10		2				
029	643770-4	BRUSH HOLDER		2				
030	453366-1	MOTOR HOUSING		1				
031	266326-2	TAPPING SCREW 4X18		1				
032	687169-3	STRAIN RELIEF		1				
033A	632K99-9	SWITCH BLOCK		1				
033Z	632K98-1	SWITCH BLOCK		1				
034A	692021-2	POWER SUPPLY CORD 1.0-2-2.5		1				
034Z	695217-4	POWER SUPPLY CORD 1.5-2-2.5		1				
035A	682559-5	CORD GUARD 8		1				
035Z	682566-8	CORD GUARD 10		1				
036	266326-2	TAPPING SCREW 4X18		1				
037	817M63-5	INDICATION LABEL		1				
038	453365-3	REAR COVER C		1				
039A	620736-1	CONTROLLER		1				
039Z	620735-3	CONTROLLER		1				
040	651418-4	SWITCH ST115A-40		1				
041	854S18-5	PC5010C NAME PLATE		1				
042	233071-4	COMPRESSION SPRING 4		1				
043	453847-5	SWITCH LEVER		1				
044	453368-7	SWITCH KNOB		1				
046	453369-5	PIN CAP		1				

Item	Parts No.	Description	I/C	Qty	N/O	Opt. 1	Opt. 2	Note
047	234057-1	COMPRESSION SPRING 8		1				
048	266361-0	TAPPING SCREW 4X30		4				
049	213032-0	O RING 4		1				
050	256535-1	SHOULDER PIN 6		1				
051	263002-9	RUBBER PIN 4		1				
052	210006-2	BALL BEARING 696ZZ		1				
053	961005-4	RETAINING RING S-9		1				
054	253180-3	FLAT WASHER 10		1				
055	310683-1	JOINT SLEEVE		1				
056	346556-2	C TYPE PLATE		1				
057	227594-2	SPIRAL BEVEL GEAR 41		1				
058	313228-4	COUPLING		1				
059	210302-8	BALL BEARING 6903ZZ		1				
060	253744-3	FLAT WASHER 12		1				
061	263002-9	RUBBER PIN 4		1				
062	213641-5	O RING 51		1				
063	136012-8	BEARING BOX ASSEMBLY		1				
D10		INC. 61,62						
064	265490-6	HEX. SOCKET HEAD BOLT M4X16		4				
065	211129-9	BALL BEARING 6201DDW		1				
066	267279-8	FLAT WASHER 21		1				
067	443124-3	FELT RING 17		1				
068	285854-8	BEARING RETAINER 20-33		1				
070	326130-2	SPINDLE		1				
C10	265180-1	PAN HEAD SCREW M5X16		1				
072A	195238-1	115/125MM DUST COVER K SET		1				
072Z	195239-9	115/125MM DUST COVER K SET		1				
073	224415-9	INNER FLANGE 42		1				
074	224554-5	LOCK NUT 14-45		1				
075	135556-5	COUPLING ASS'Y		1				
D10		INC. 57-59						
076	892272-9	CLEAR LABEL		1				
077	458690-7	LOOP HANDLE		1				
078	922443-5	H.S.H.BOLT M8X25 WITH WR		2				
A01	140B63-7	STEEL CASE COMPLETE		1				
A02	782426-5	LOCK NUT WRENCH 35		1				
A03	D-41458	OFFSET DIAMOND WHEEL 125 ROUG		1				
E01Z	655030-2	PLUG UK TYPE 16A-4H/110V		1				