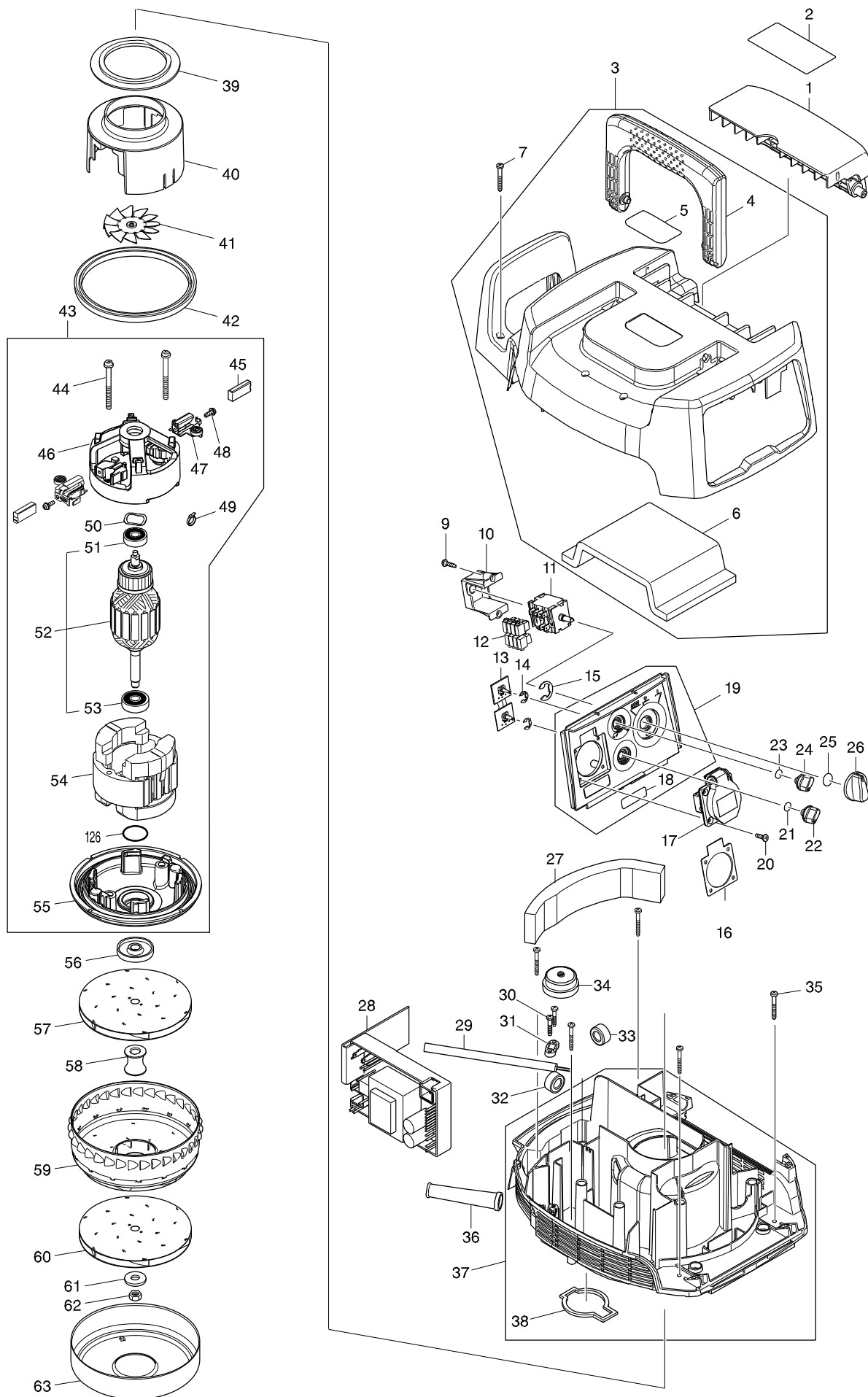
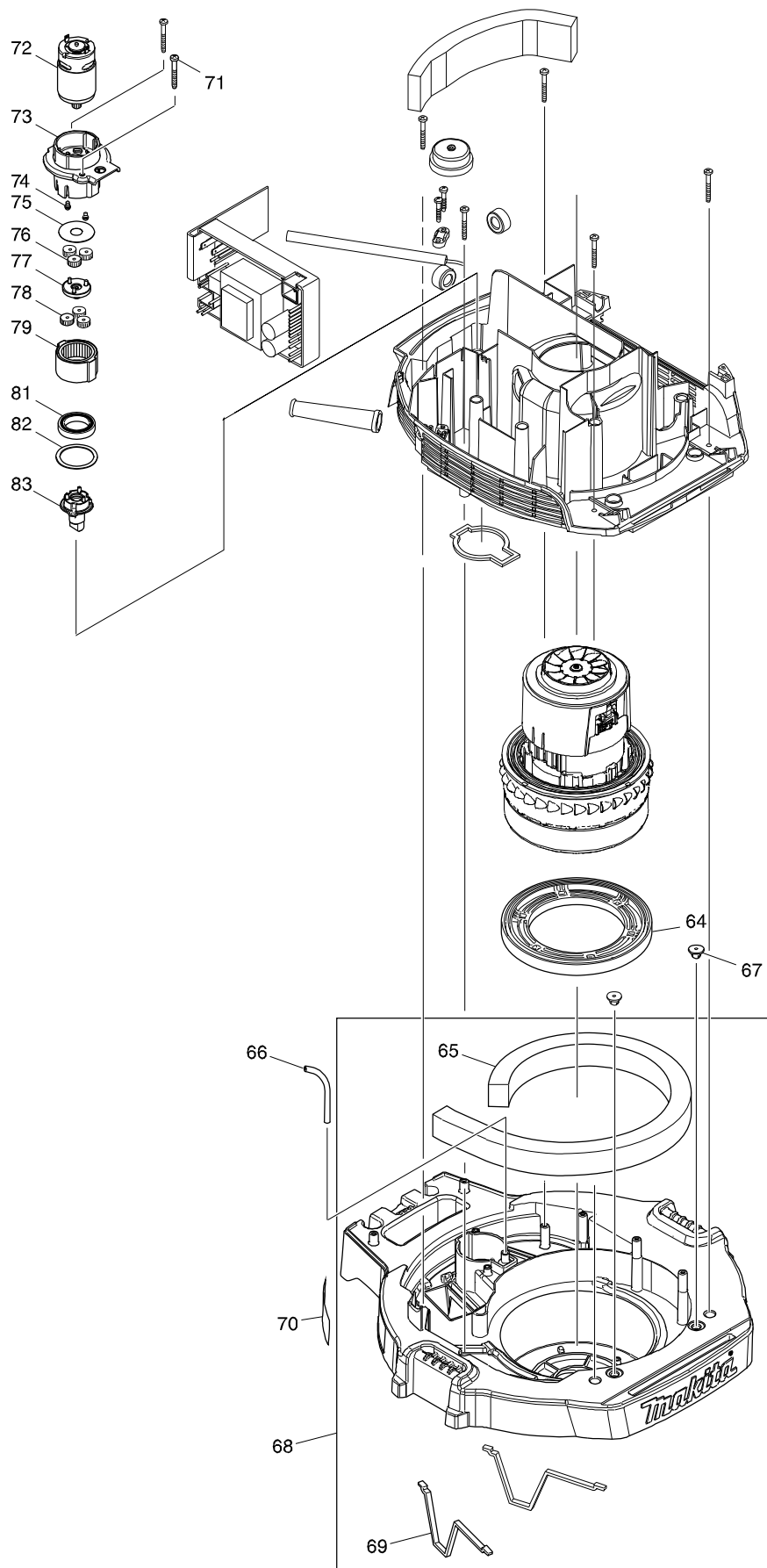


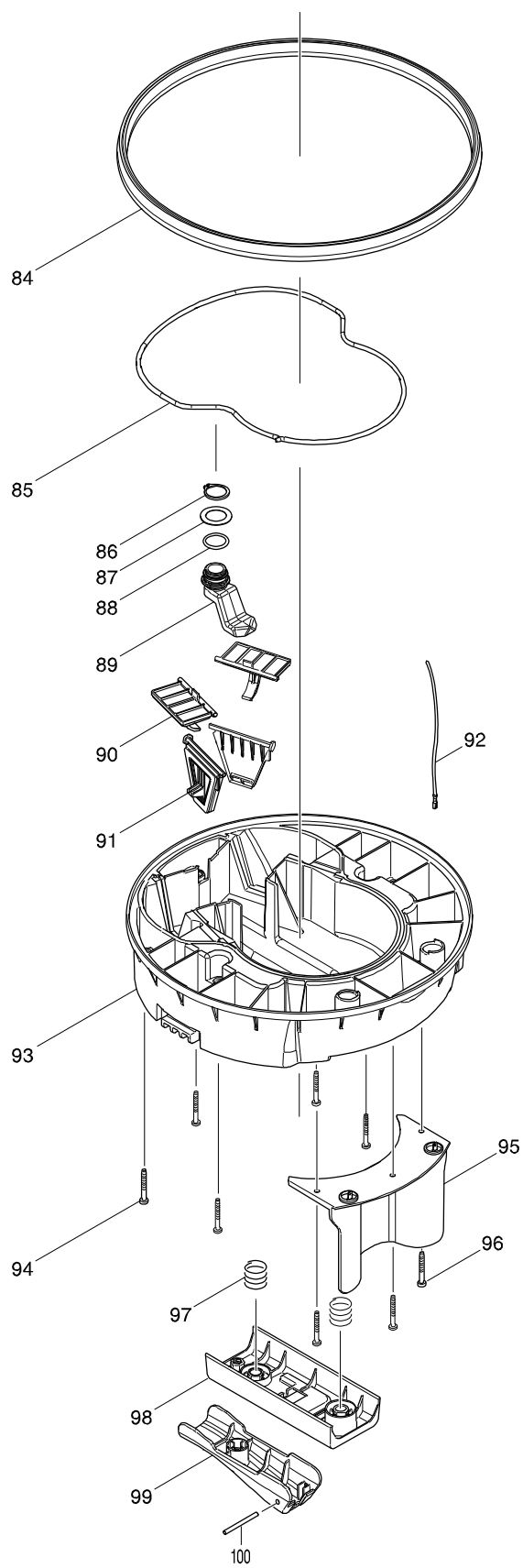
Model No. VC2211M VACUUM CLEANER



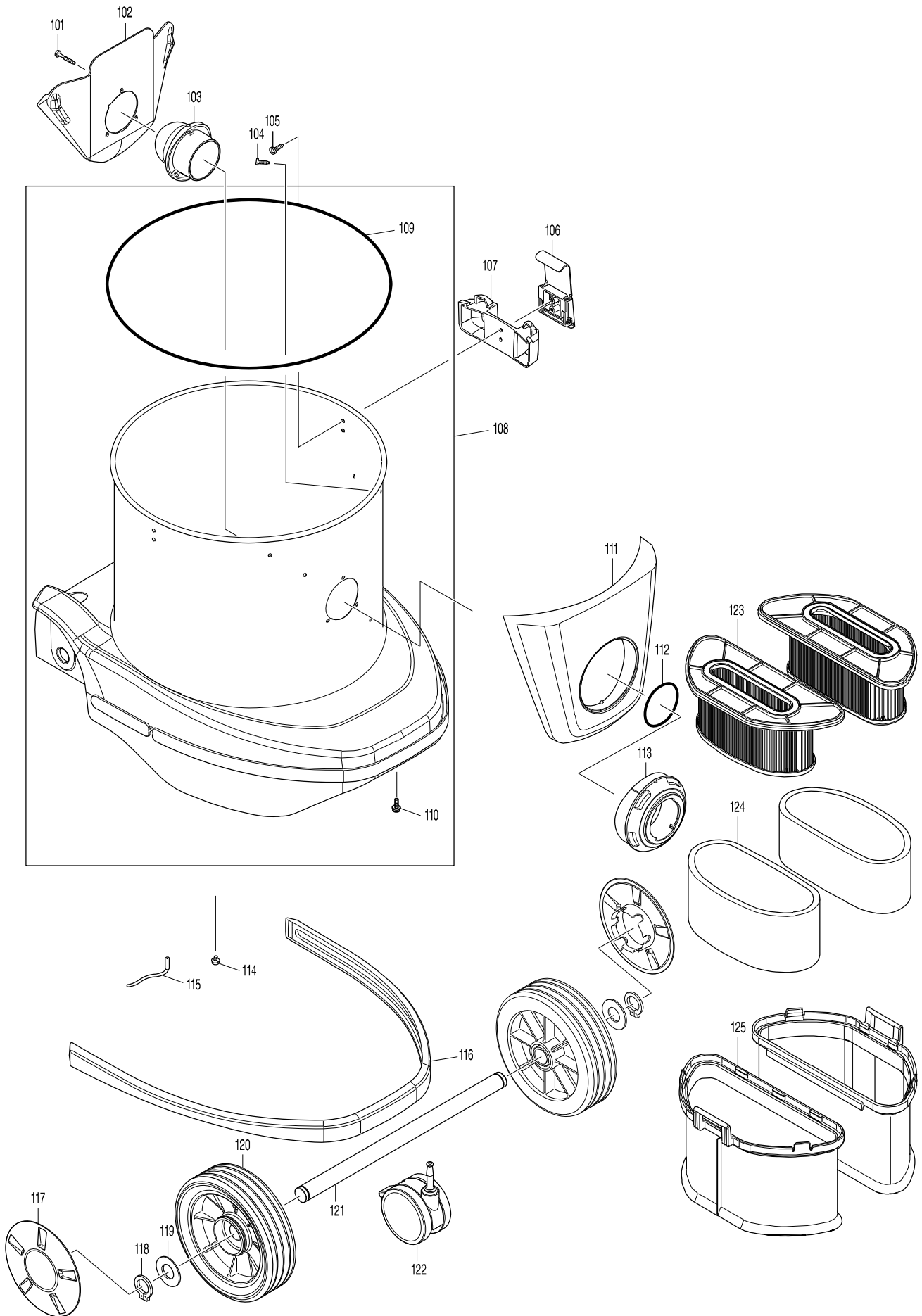
Model No. VC2211M VACUUM CLEANER



Model No. VC2211M VACUUM CLEANER



Model No. VC2211M VACUUM CLEANER



Item	Parts No.	Description	I/C	Qty	N/O	Opt. 1	Opt. 2	Note
001	452451-7	BASE HOOK		1				
002	800W80-2	CAUTION LABEL		1				
003	141915-3	COWLING COMPLETE		1				
D10		INC. 4-6						
004	451340-3	GRIP		1				
005	891977-8	CAUTION LABEL		1				
006	423456-4	TOP DAMPER		1				
007	266053-1	TAPPING SCREW 4X35		9				
009	265995-6	TAPPING SCREW 4X18		2				
010	451343-7	SWITCH HOLDER		1				
011	650659-9	SWITCH		1				
012	686023-8	RECEPTACLE SLEEVE		8				
013	620185-2	SUB CONTROLLER		1				
014	961013-5	STOP RING E-7		2				
015	961062-2	STOP RING E-12		1				
016A	685740-7	RUBBER SHEET		1				
016Z	685741-5	RUBBER SHEET		1				
017A	655124-3	OUTLET		1				
017Z	655125-1	OUTLET		1				
018A	816L62-8	CAUTION LABEL		1				
018Z	800W84-4	CAUTION LABEL		1				
D10		INC. 18						
019A	144935-6	SWITCH BASE HB-M COMPLETE		1				
019Z	144934-8	SWITCH BASE LB-M COMPLETE		1				
020A	266640-6	+COUNTERSUNK TAPPING SCREW4X		4				
020Z	266630-9	+COUNTERSUNK TAPPING SCREW4X		4				
021	213054-0	O RING 9		1				
022	451344-5	SWITCH DIAL		1				
023	213054-0	O RING 9		1				
024	451344-5	SWITCH DIAL		1				
025	213176-6	O RING 14		1				
026	451342-9	SWITCH LEVER		1				
027	423450-6	REAR BLOCK FILTER		1				
028A	620467-2	CONTROLLER		1				
028Z	620466-4	CONTROLLER		1				
029A	692450-9	POWER SUPPLY CORD 1.5-3-5.0		1				
029Z	695360-9	POWER SUPPLY CORD 1.5-3-5.0		1				
030	265999-8	TAPPING SCREW 4X25		2				
031	687149-9	STRAIN RELIEF		1				
032Z	688131-1	LINE FILTER		1				
033Z	688131-1	LINE FILTER		1				
034	620186-0	BUZZER CIRCUIT		1				
035	266053-1	TAPPING SCREW 4X35		5				
036	682575-7	CORD GUARD 12-90		1				
037	141917-9	SEPARATOR COMPLETE		1				
D10		INC. 38						
038	423462-9	DC MOTOR SEAL		1				
039	423279-0	SEAL RING 70		1				

Item	Parts No.	Description	I/C	Qty	N/O	Opt. 1	Opt. 2	Note
040	451338-0	MOTOR COVER		1				
041	241512-6	FAN 62		1				
042	424228-0	RUBBER RING 120		1				
D10		INC. 44-50,52,54,55,126						
043A	125878-1	MOTOR ASSEMBLY		1				
043Z	125873-1	MOTOR ASSEMBLY		1				
044	911283-6	PAN HEAD SCREW M5X60		2				
045	195483-8	CARBON BRUSH CB-173		1				
046	452106-4	ENDBELL		1				
047A	643610-6	BRUSH HOLDER 6.5X13.5		2				
047Z	643663-5	BRUSH HOLDER 6.5X13.5		2				
048	911118-1	PAN HEAD SCREW M4X12		2				
049	687010-0	BAND		1				
050	267715-4	WAVE WASHER 20		1				
051	211092-6	BALL BEARING 629DDW		1				
D10		INC. 51,53						
052A	518745-1	ARMATURE ASS'Y 220V		1				
052Z	517845-4	ARMATURE ASSEMBLY 100V		1				
053	211087-9	BALL BEARING 6200DDW		1				
C10	654304-8	RECEPTACLE		2				
054A	526203-3	FIELD ASS'Y 220V		1				
054Z	526201-7	FIELD ASS'Y 115V		1				
055	454480-6	BASE		1				
056	316795-8	FLANGE		1				
057	241910-4	FAN 125		1				
058	325747-8	SPACER		1				
059	346114-4	RETURN VANE		1				
060	241910-4	FAN 125		1				
061	316799-0	FLAT WASHER 10		1				
062	931403-6	HEX. NUT M8		1				
063	346115-2	FAN COVER		1				
064	424229-8	SUPPORT RING		1				
065	423451-4	BAND DAMPER		1				
066	684900-8	VYNIL TUBE		1				
067	421468-1	CORD SEAL		2				
068	141916-1	TANK COVER COMPLETE		1				
D10		INC. 65,69						
069	423455-6	VALVE SEAL		2				
070	851C51-2	VC2211M NAME PLATE		1				
071	266053-1	TAPPING SCREW 4X35		2				
072	629981-5	DC MOTOR		1				
073	454207-4	GEAR CASE		1				
074	911003-8	PAN HEAD SCREW M3X6		2				
075	267067-3	FLAT WASHER 12		1				
076	226283-6	SPUR GEAR 15		3				
077	153228-0	SPUR GEAR 9 COMPLETE		1				
078	226284-4	SPUR GEAR 15		3				
079	226285-2	INTERNAL GEAR 42		1				

Item	Parts No.	Description	I/C	Qty	N/O	Opt. 1	Opt. 2	Note
081	211375-4	BALL BEARING 6805LLB		1				
082	267464-3	FLAT WASHER 34		1				
083	135554-9	SPINDLE ASSEMBLY		1				
084	424543-2	RUBBER RING		1				
085	424544-0	SEAL RING		1				
086	961060-6	RETAINING RING S-20		1				
087	267041-1	FLAT WASHER 20		1				
088	213304-3	O RING 20		1				
089	454208-2	CAM		1				
090	141919-5	OUTER VALVE COMPLETE		2				
091	141918-7	INNER VALVE COMPLETE		2				
092	632A68-0	LEAD UNIT		2				
093	454204-0	INNER COVER		1				
094	266053-1	TAPPING SCREW 4X35		5				
095	454209-0	PROTECTOR		1				
096	266053-1	TAPPING SCREW 4X35		3				
097	234273-5	COMPRESSION SPRING 20		2				
098	454215-5	LOCK PLATE		1				
099	454214-7	LOCK LEVER		1				
100	268292-9	PIN 4		1				
101	266257-5	TAPPING SCREW 4X28		3				
102	417587-9	HOLDER PLATE		1				
103	451455-6	HOLDER		1				
104	266192-7	TAPPING SCREW 4X14		4				
105	266192-7	TAPPING SCREW 4X14		4				
106	168537-4	HOOK		2				
107	451545-5	HOOK SUPPORTER		2				
108	188828-7	TANK SET		1				
D10		INC. 109,110						
109	424346-4	RUBBER RING T		1				
110	911118-1	PAN HEAD SCREW M4X12		1				
111	451546-3	INLET COVER		1				
112	213655-4	O RING 56		1				
113	451454-8	INLET		1				
114	911103-4	PAN HEAD SCREW M4X6		1				
115	649150-2	EARTH LINE 120		1				
116	424270-1	BUMPER		1				
117	451643-5	WHEEL CAP		2				
118	961060-6	RETAINING RING S-20		2				
119	267299-2	FLAT WASHER 20		2				
120	451642-7	CASTER 170		2				
121	331888-0	JOINT PIPE 20-350		1				
122	168547-1	CASTER 75		1				
123	141875-9	POWDER FILTER M COMPLETE		2				
124	423452-2	DAMPER		2				
125	196253-8	PRE-FILTER SET		2				
126	213406-5	O RING 30		1				
A01-1	195433-3	HOSE COMPLETE 28-3.5 SET		1				

