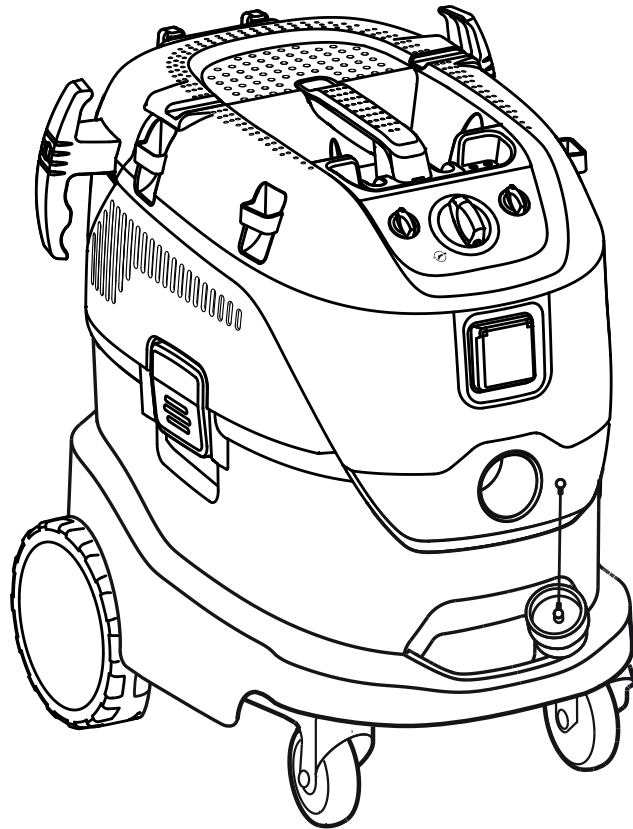




**Makita**®

## VC4210M



Originalbetriebsanleitung  
Original Operating Instructions  
Notice d'utilisation d'origine  
Oorspronkelijke Gebruiksaanwijzing  
Istruzioni originali  
Original driftsinstruks  
Bruksanvisning i original  
Original brugsanvisning  
Alkuperäiset ohjeet  
Manual original  
Instruções de operação original  
Πρωτότυπο οδηγιών χρήσης  
Orijinal talimatlar  
Izvirna navodila  
Izvorni upute

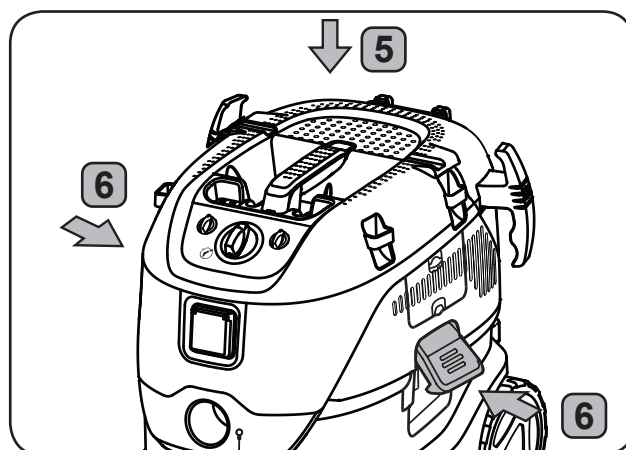
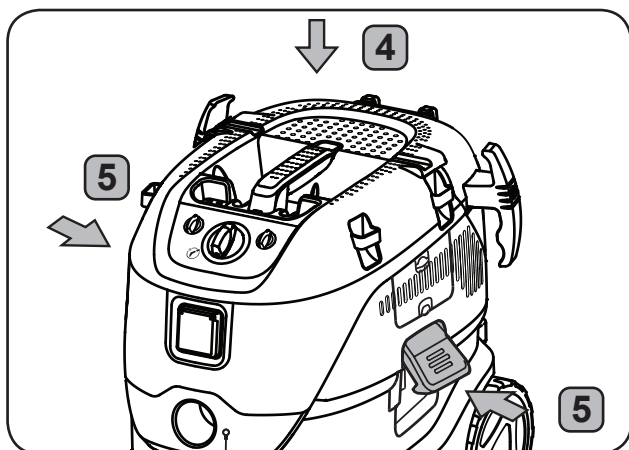
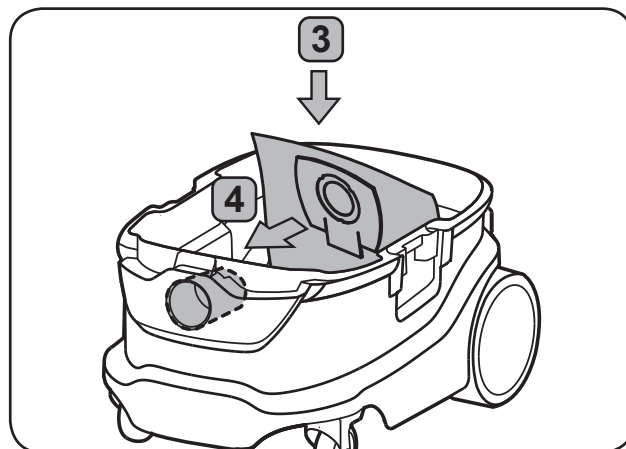
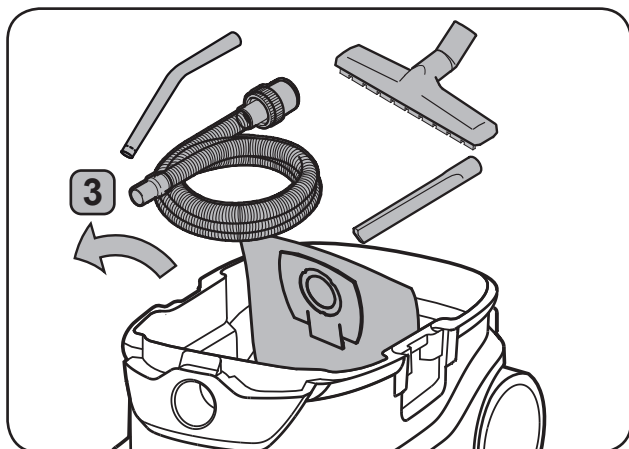
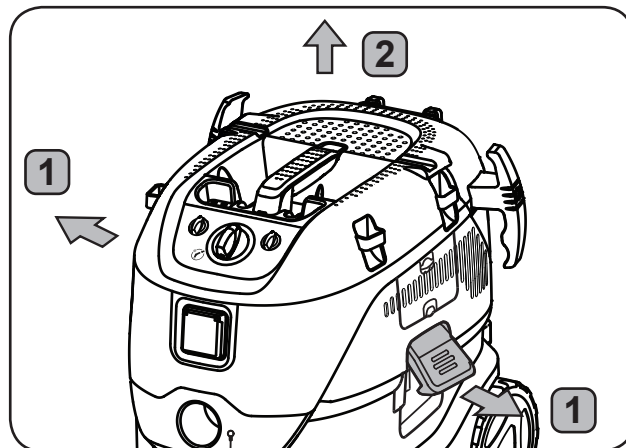
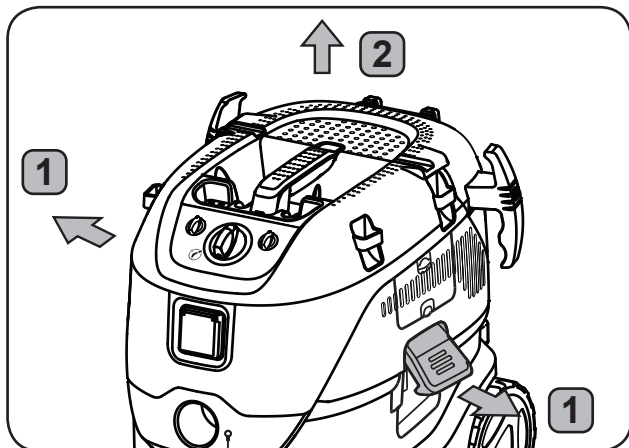
Pôvodný návod na použitie  
Původní návod k používání  
Instrukcja oryginalna  
Eredeti használati utasítás  
Original instructiuni  
Оригинална инструкция  
Оригинальные инструкции  
Algupärane kasutusjuhend  
Instrukcijas oriģinālvalodā  
Originali instrukcija  
Udhëzimet origjinale  
Оригинално упатство за употреба  
Првобитна упутства  
Оригінальні інструкції



A1)



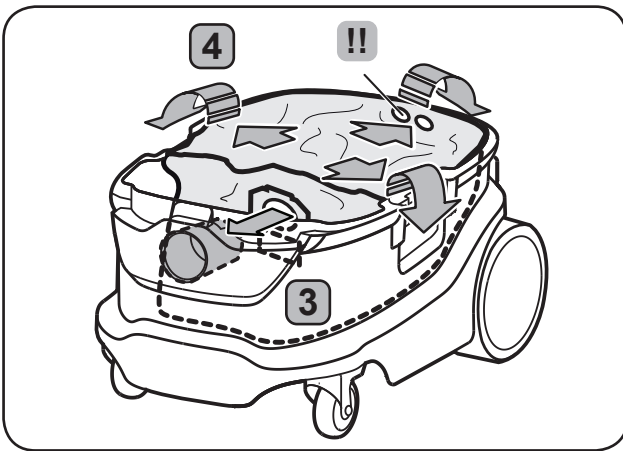
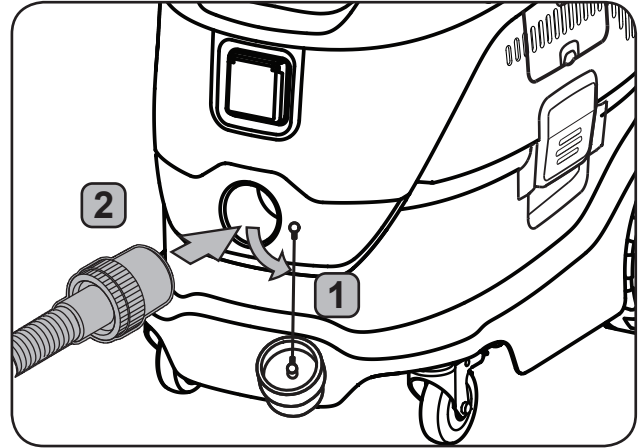
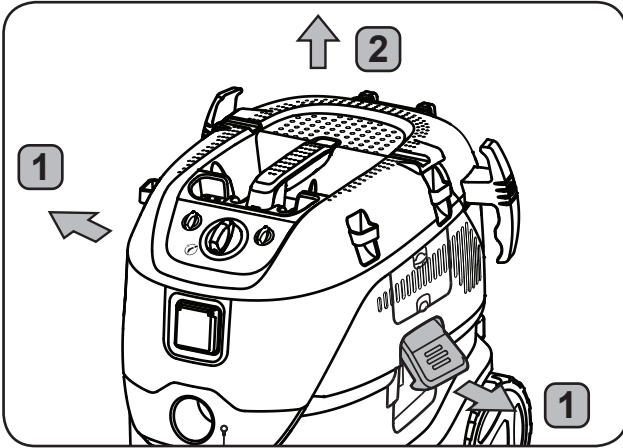
A2)

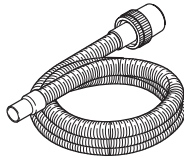
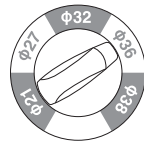


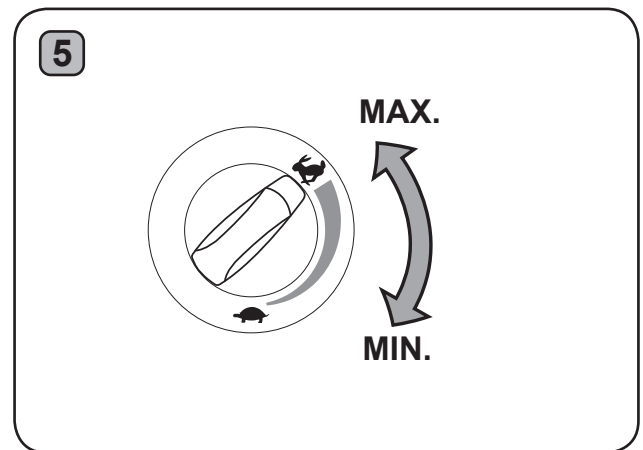
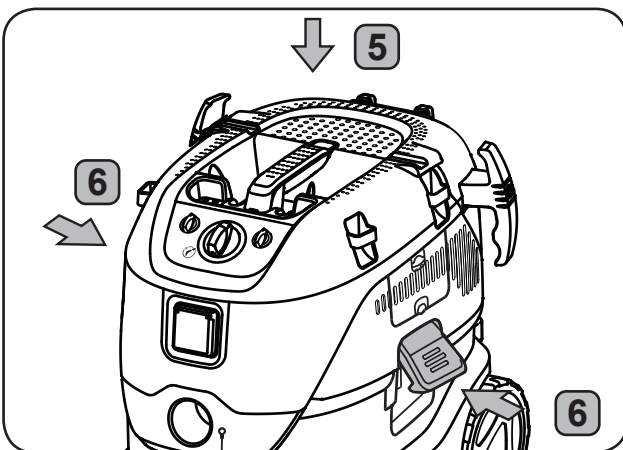
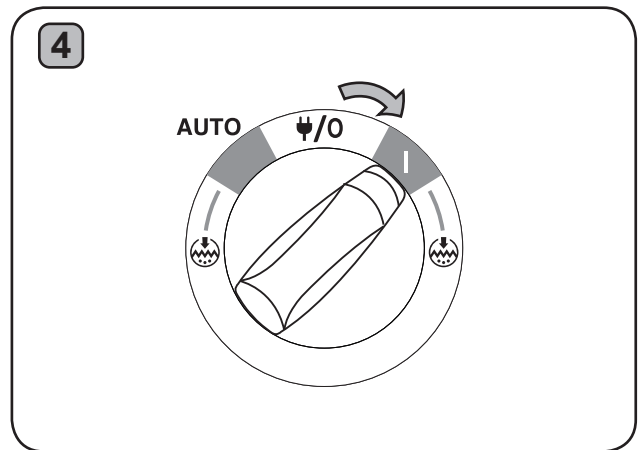
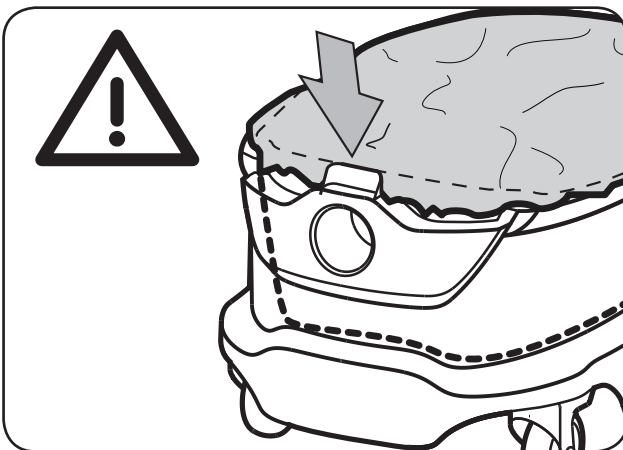
A3<sup>\*)</sup>



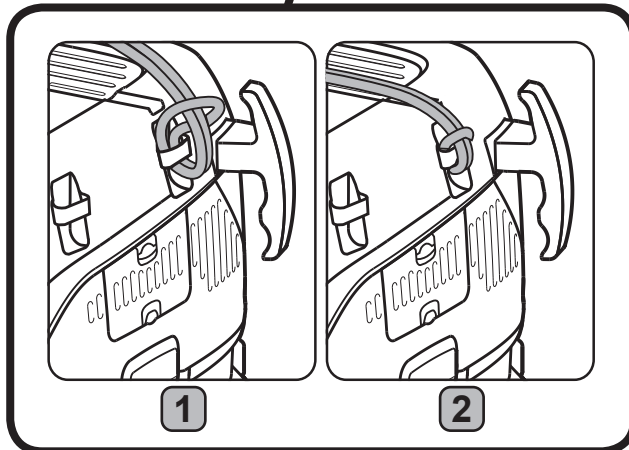
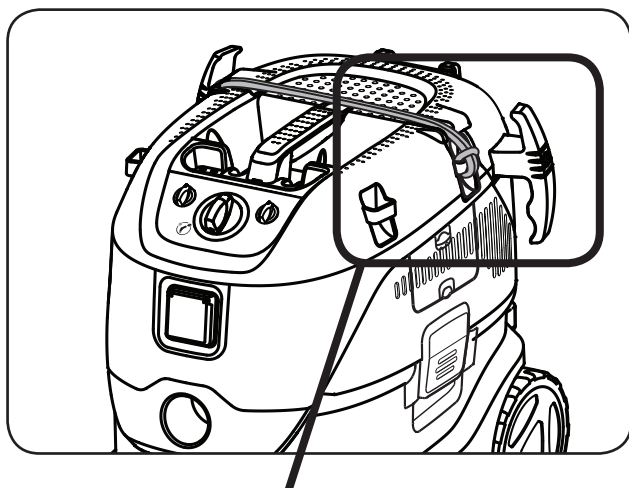
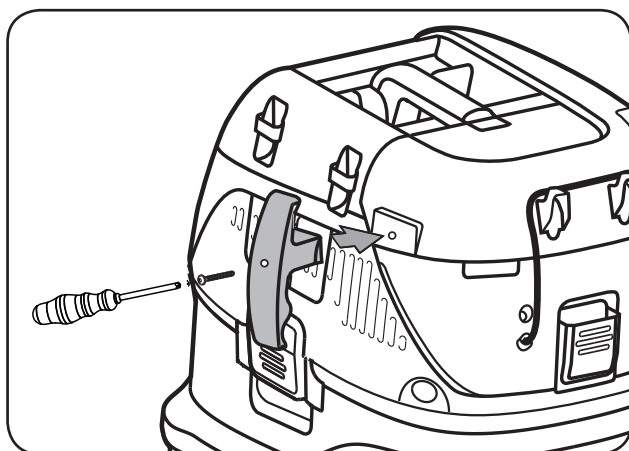
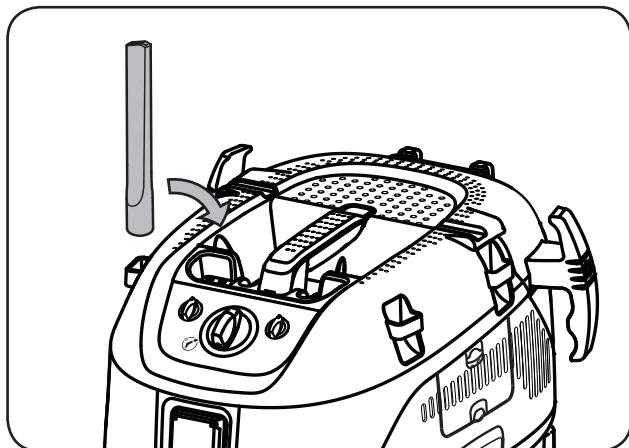
A4



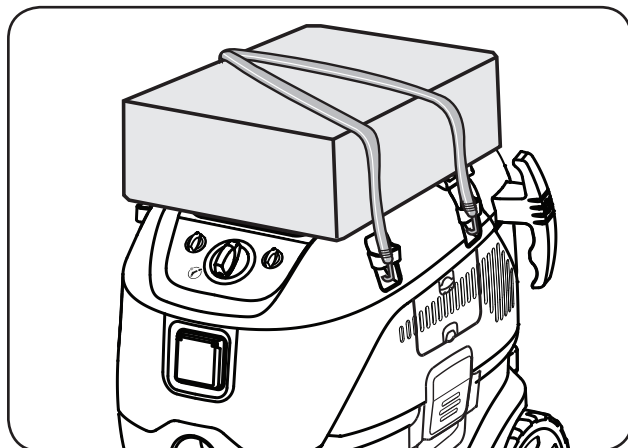
	<b>3</b>	
ø21		ø21
ø27		ø27
ø32		ø32
ø36		ø36
ø38		ø38

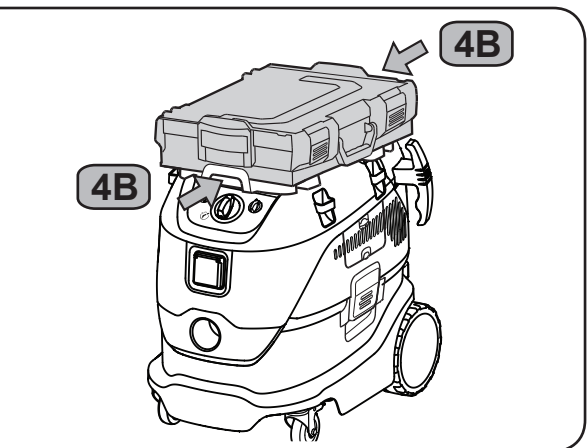
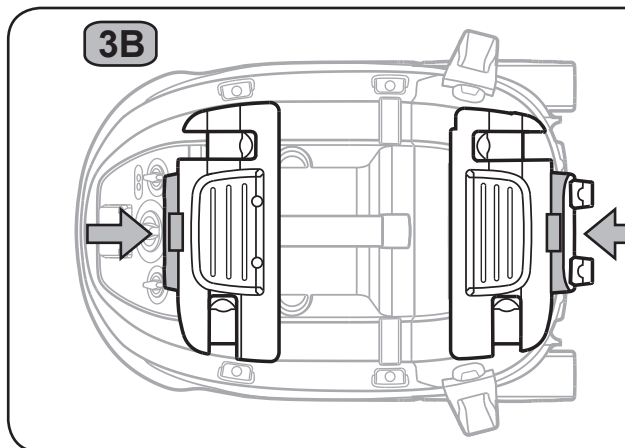
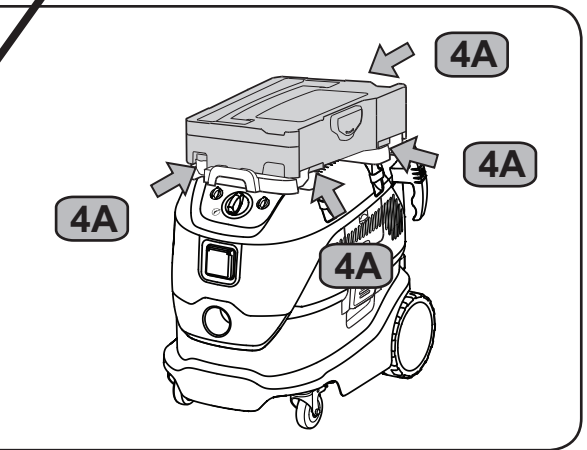
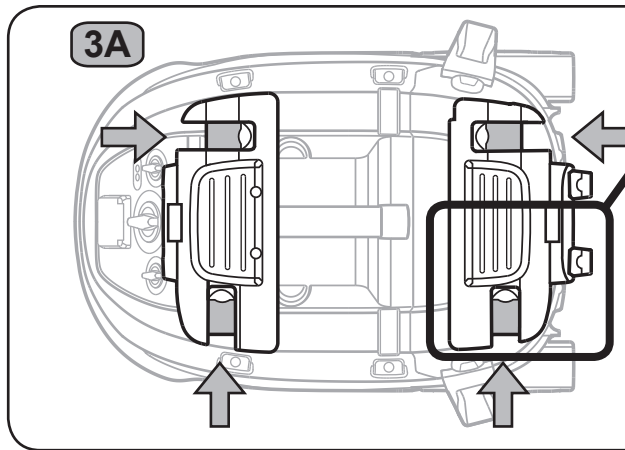
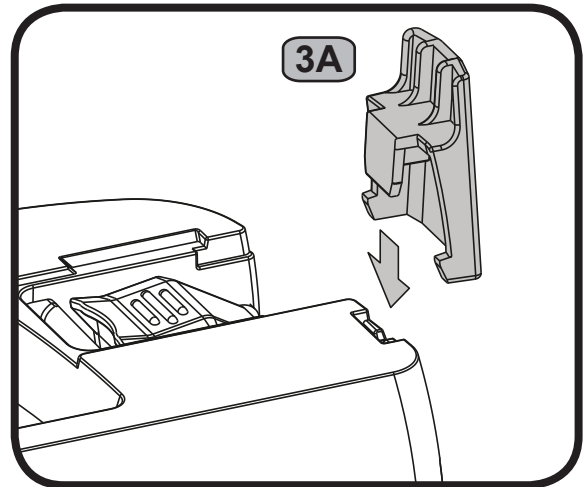
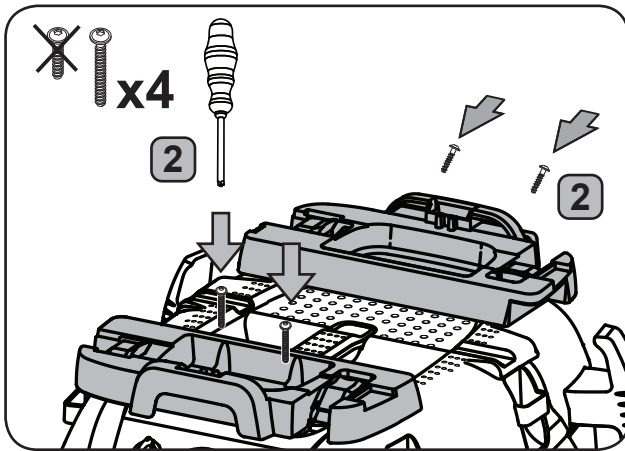
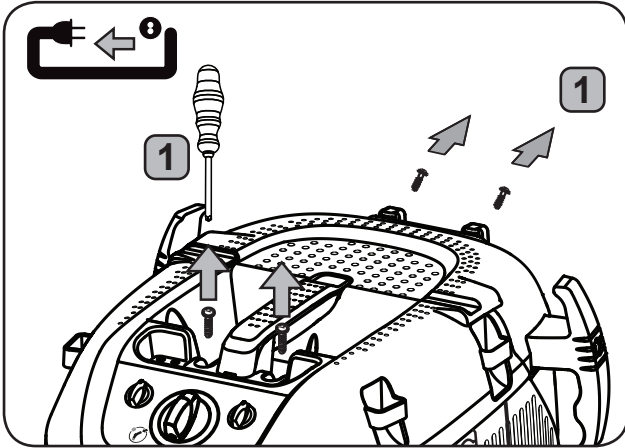


A5<sup>1)</sup>



A5<sup>1)</sup>

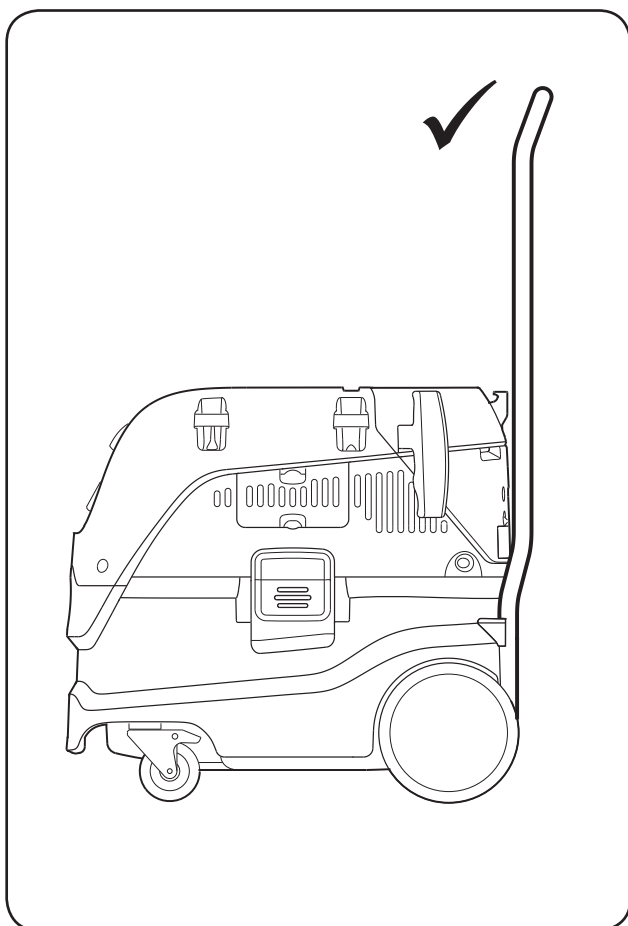
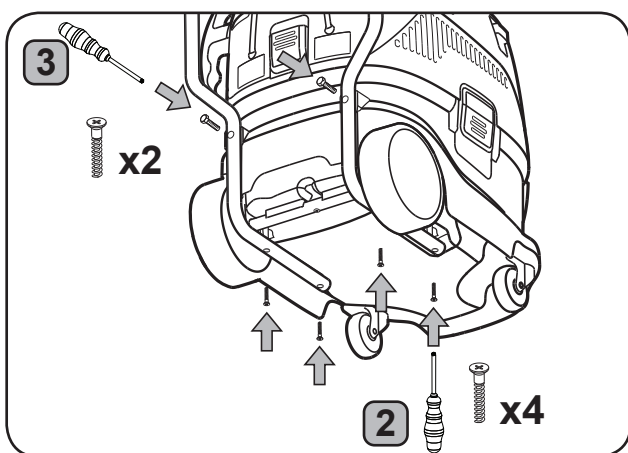
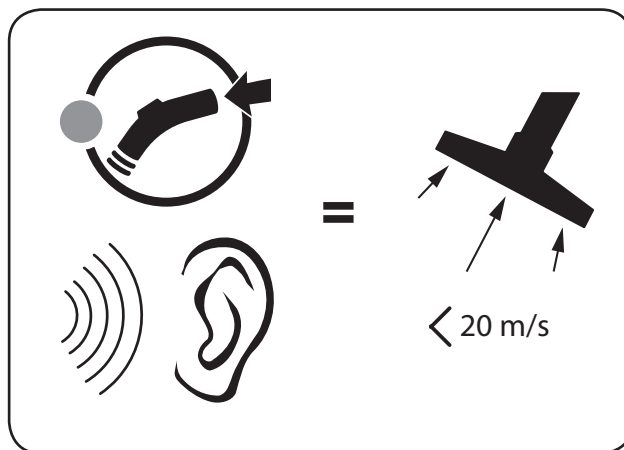
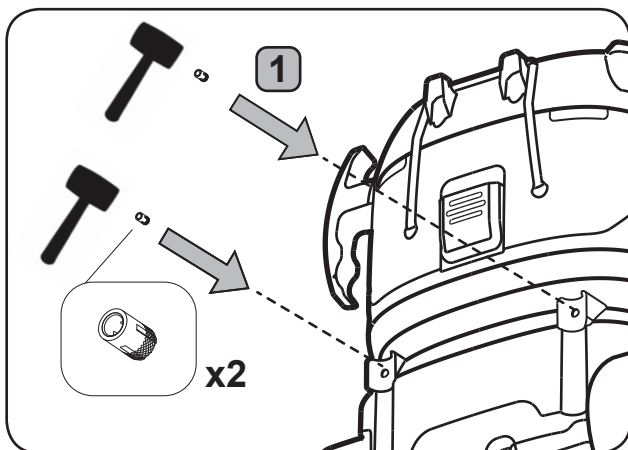




A7<sup>)</sup>



B1

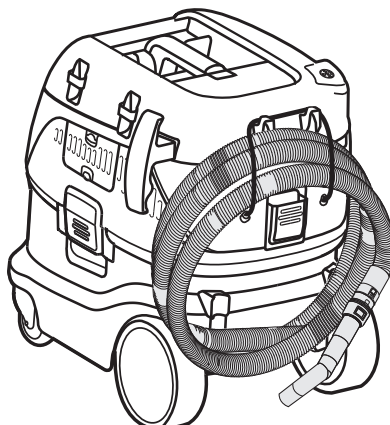
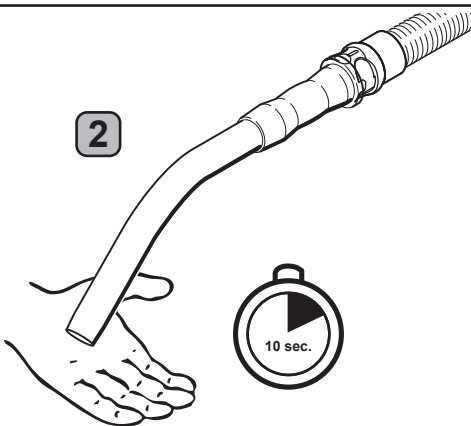
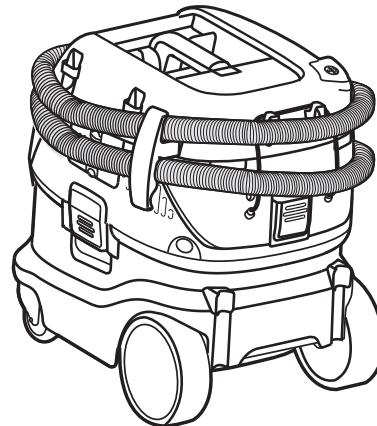
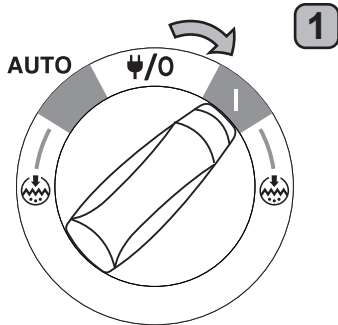
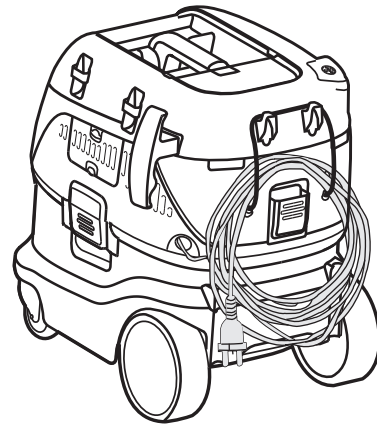
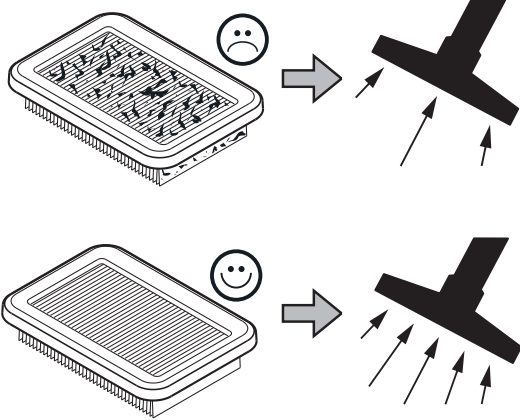
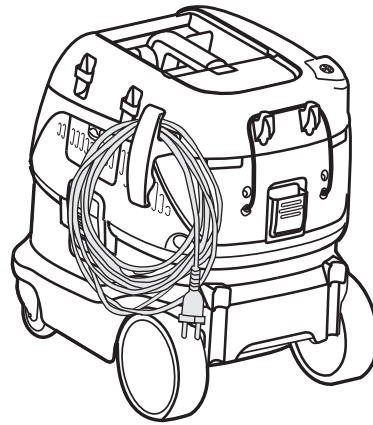


B2

B3

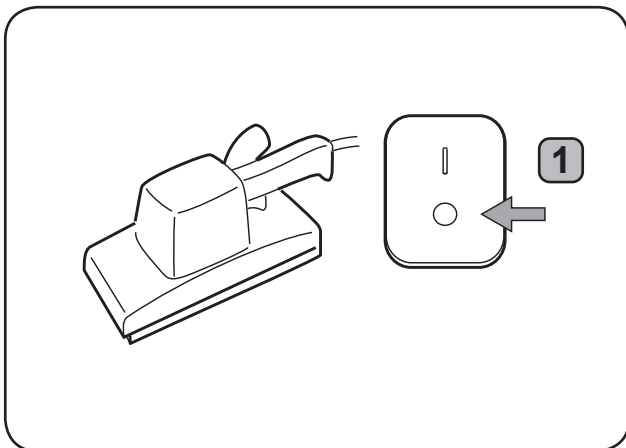


# AutoClean

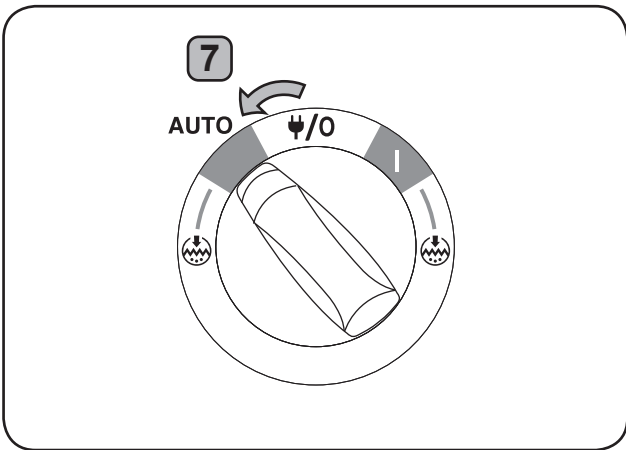
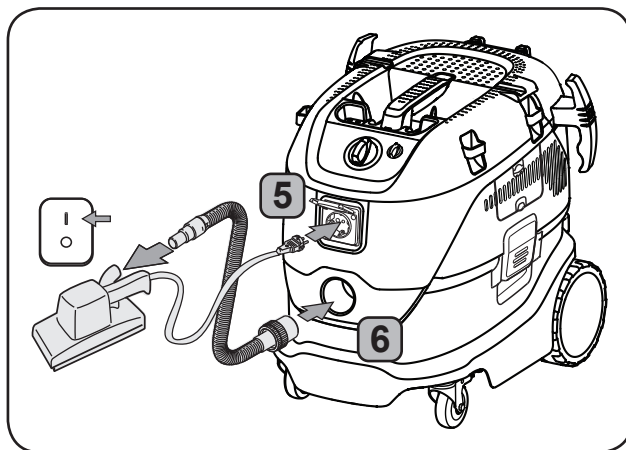
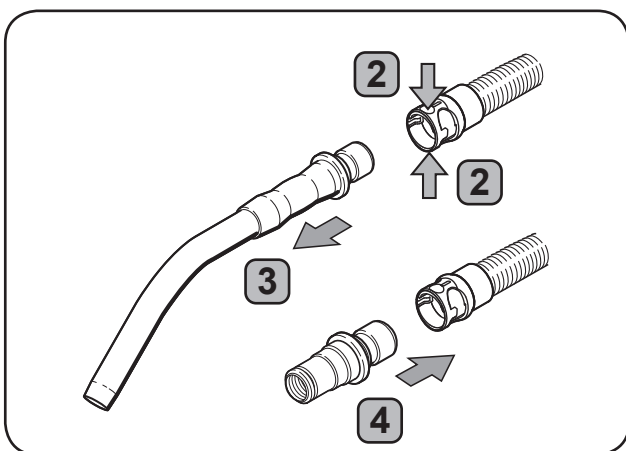
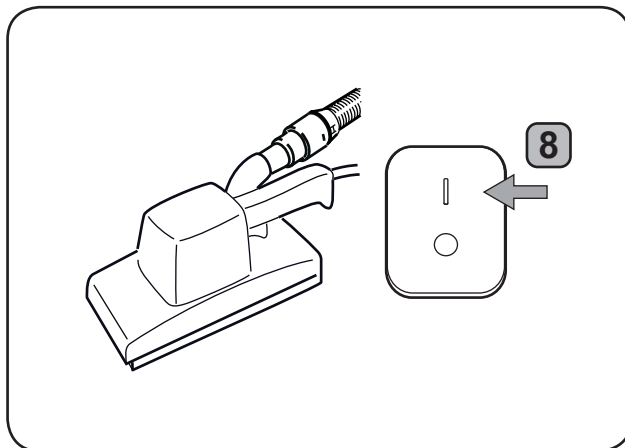




C1



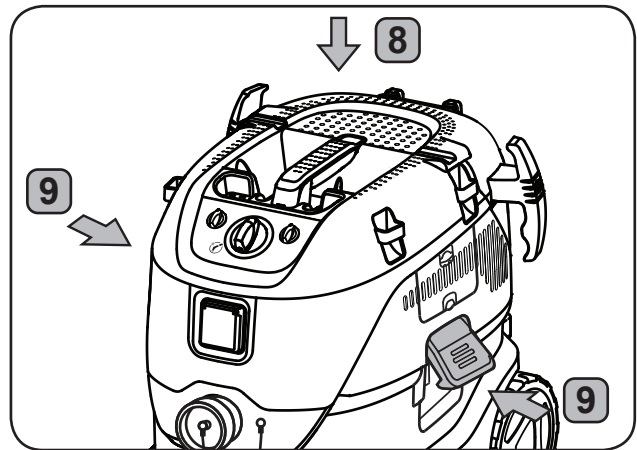
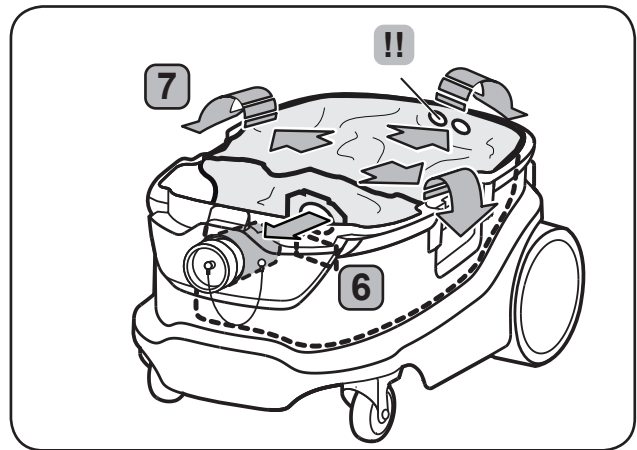
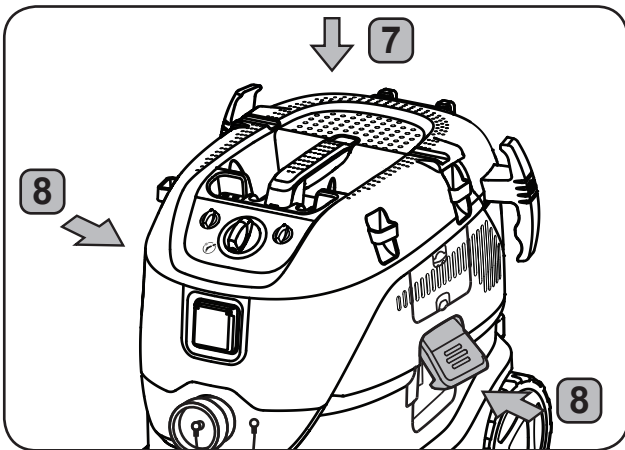
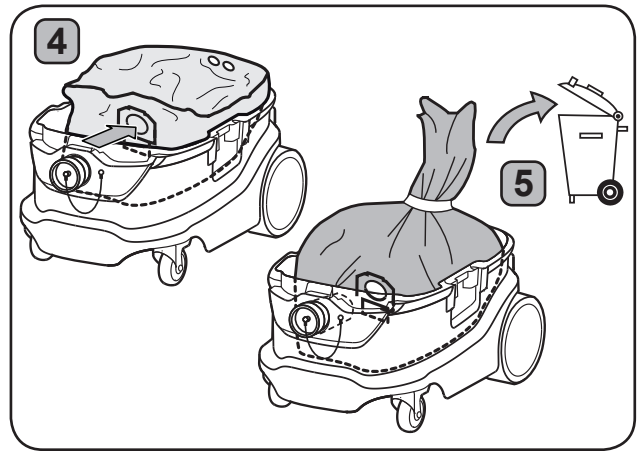
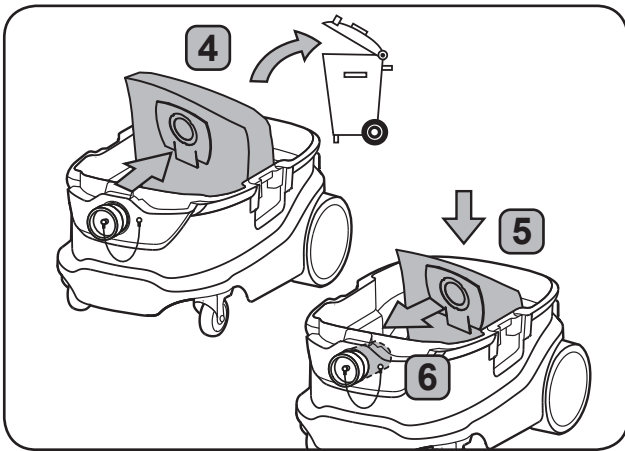
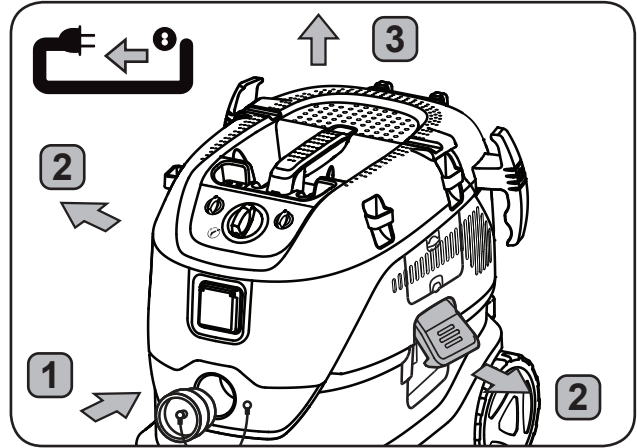
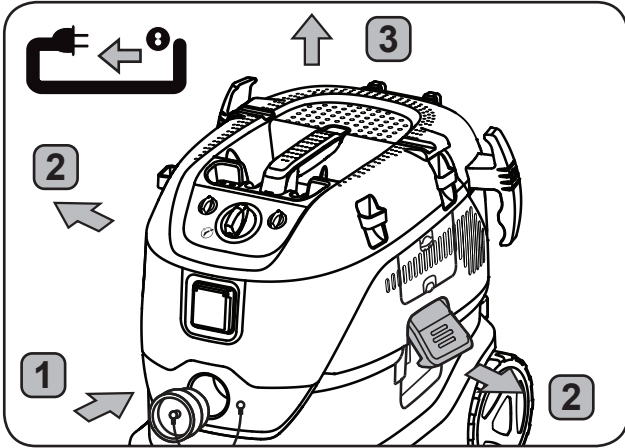
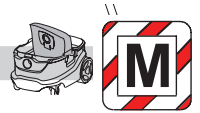
C1



D1



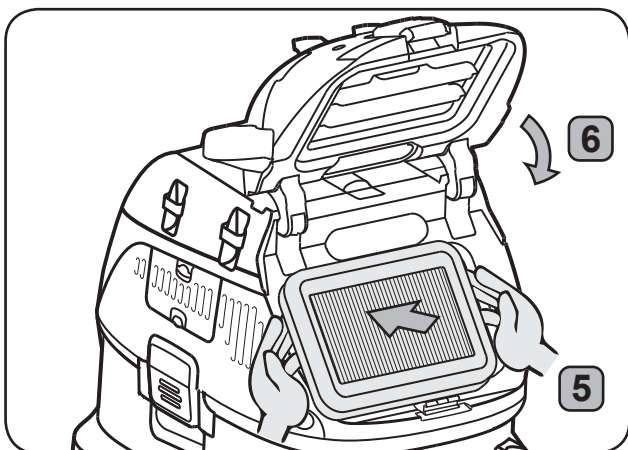
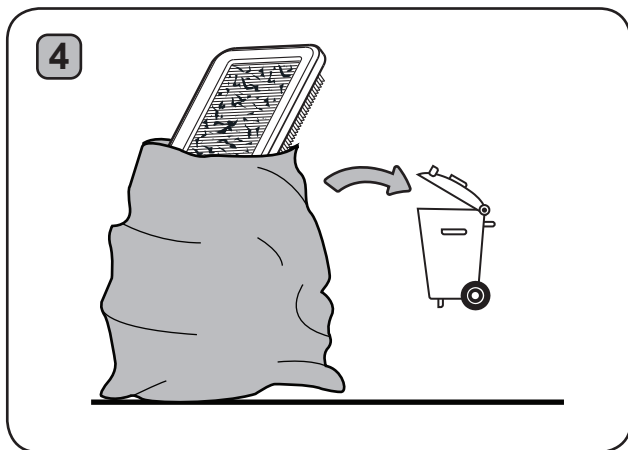
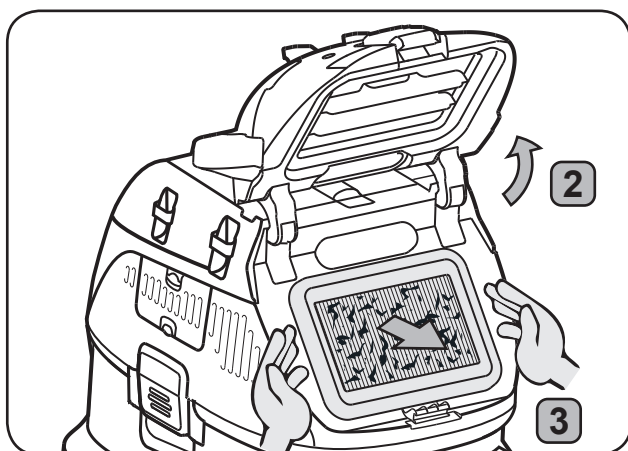
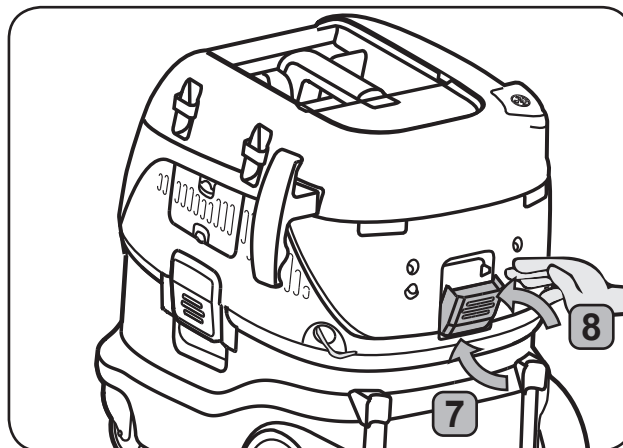
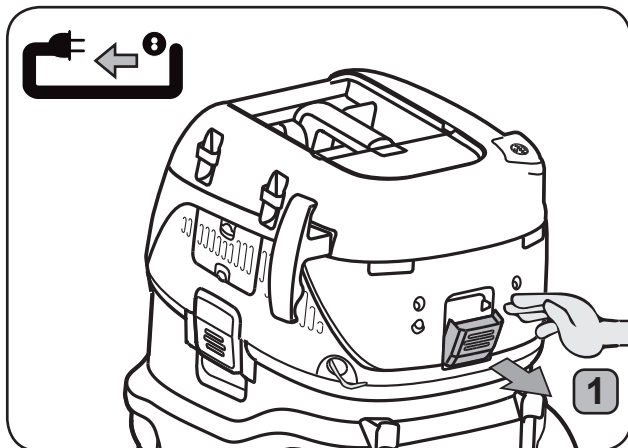
D2)



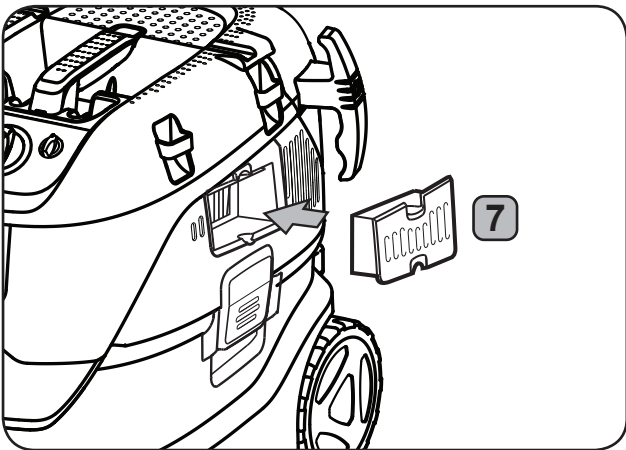
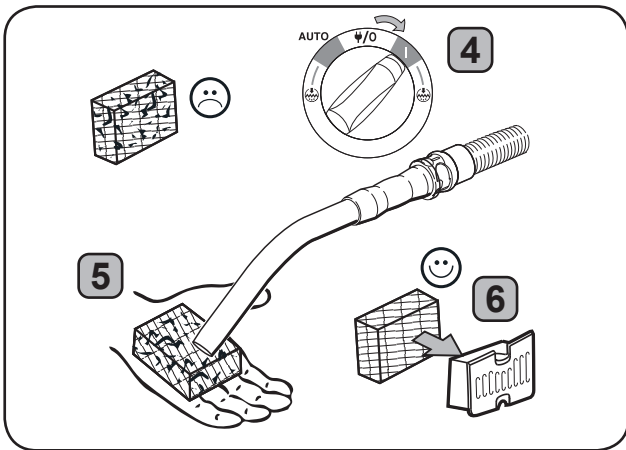
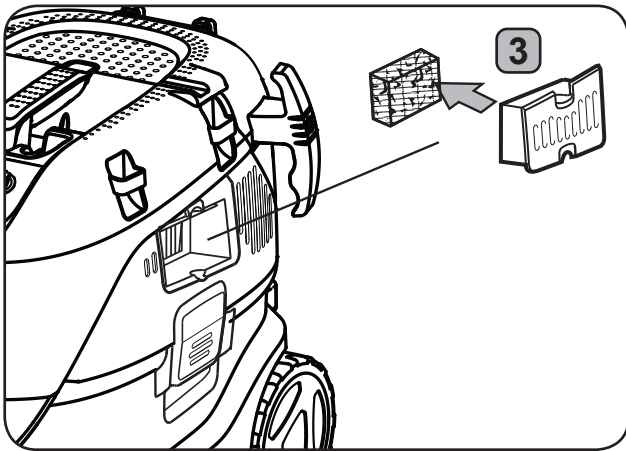
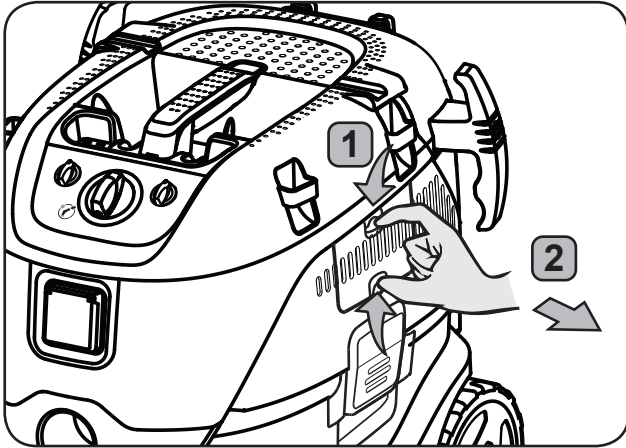
D3



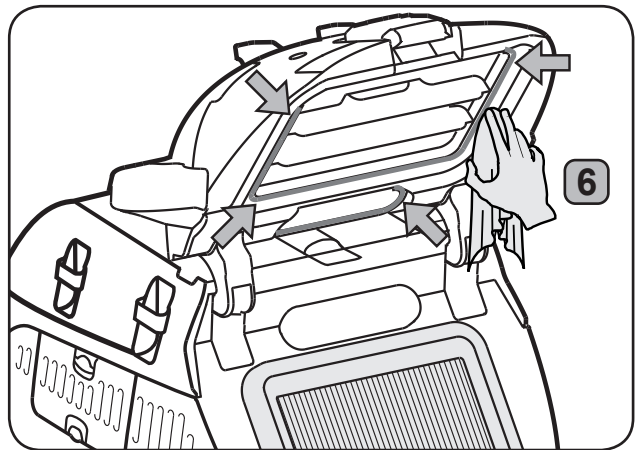
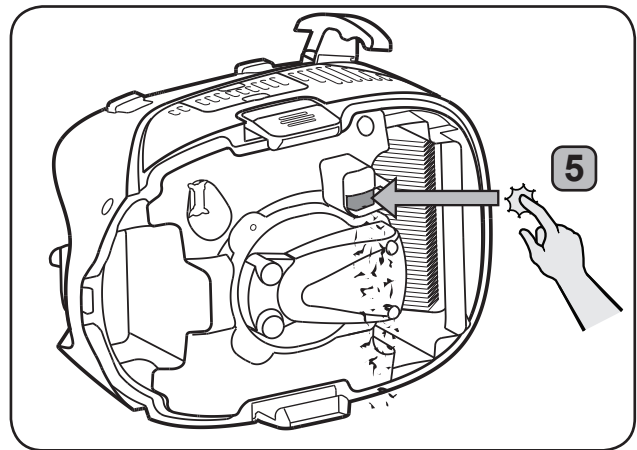
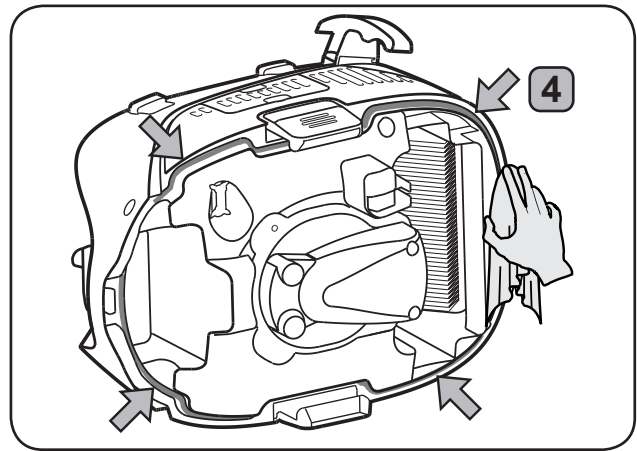
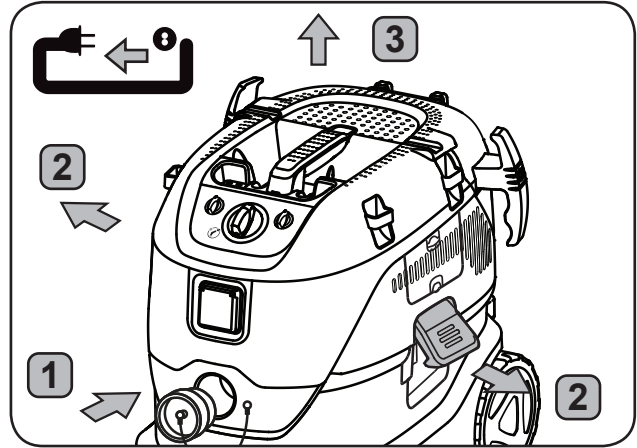
D3



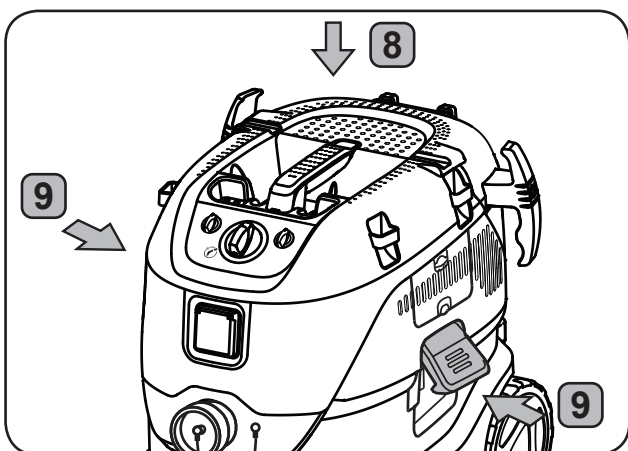
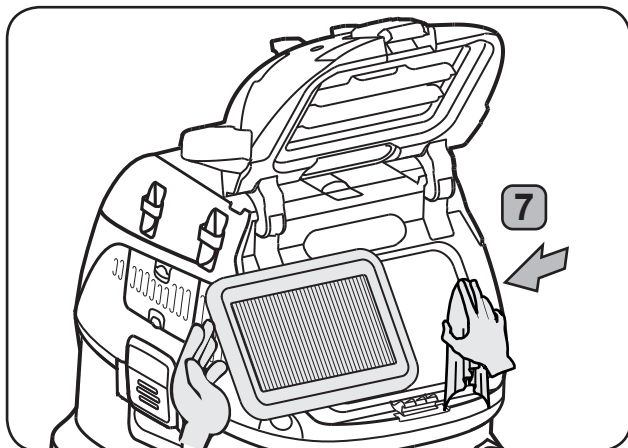
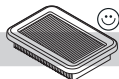
D4



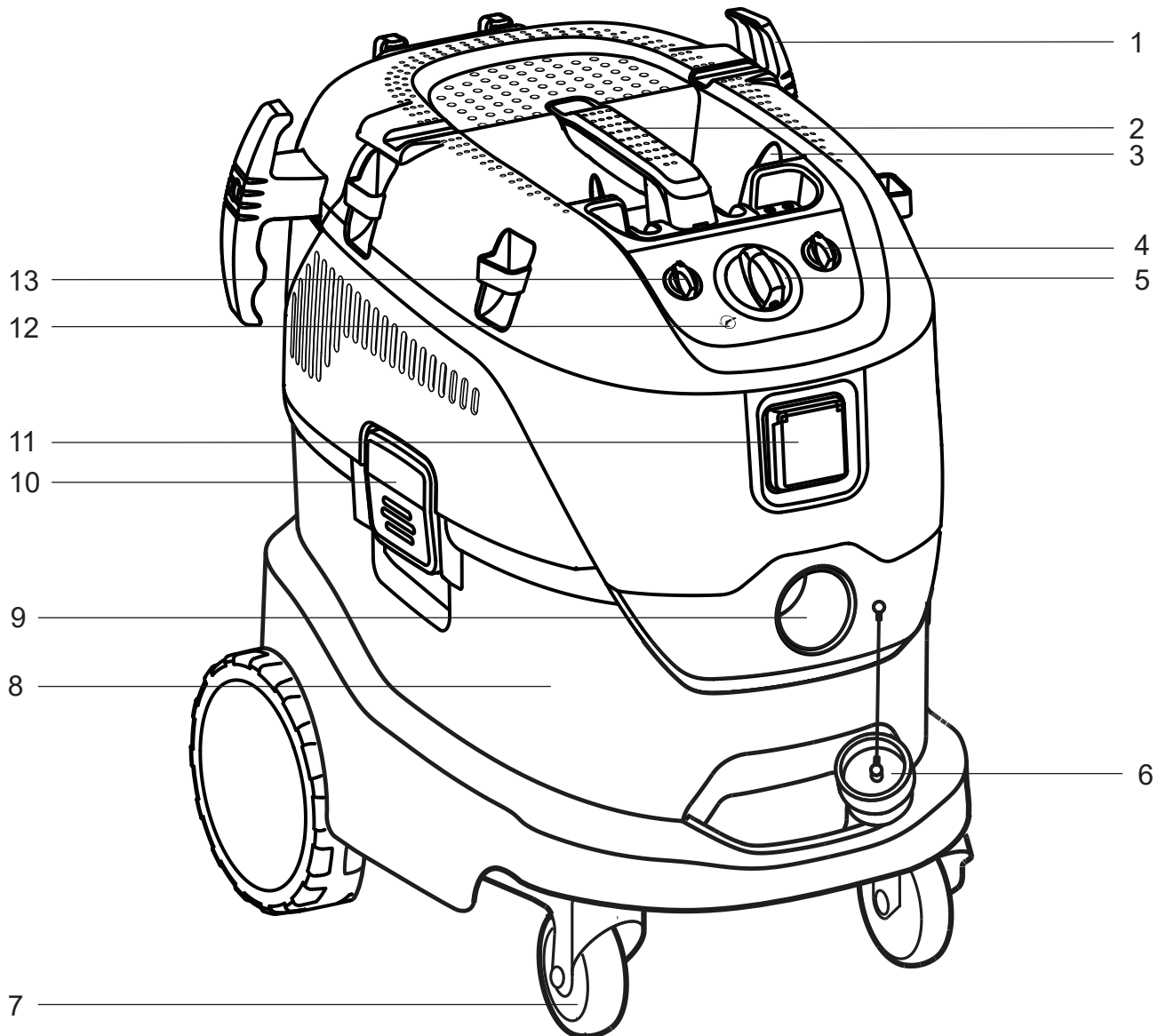
D5



D5



Bedienelemente



## Quick reference guide

### Operating elements

- 1 Hose hook
- 2 Handle
- 3 Accessory positions
- 4 Suction power control
- 5 Switch
- 6 Inlet cap
- 7 Castor
- 8 Container
- 9 Inlet fitting
- 10 Latch
- 11 Appliance socket
- 12 LED indicator
- 13 Hose diameter setting

### The pictorial quick reference guide

The pictorial quick reference guide is designed for helping you when starting up, operating and storing the unit. The guide are subdivided into 4 sections, which are represented by symbols:

**A**



### Before starting

**DO READ OPERATING INSTRUCTIONS BEFORE USE!**

- A1** - Unpack accessories
- A2** - Filter bag installation
- A3** - Disposal bag installation
- A4** - Hose insert & operations
- A5** - Accessories placement
- A6** - Adaptor plate installation
- A7** - Trolley handle installation

**B**



### Control/Operation

- B1** - Flow rate warning
- B2** - AutoClean filter cleaning system
- B3** - Cable and hose storage

**C**



### Connecting electrical appliances

- C1** - Power tool adaption

**D**



### Maintenance

- D1** - Filter bag replacement
- D2** - Disposal bag replacement
- D3** - Filter replacement
- D4** - Motor cooling air diffuser cleaning
- D5** - Gaskets and floater cleaning

## Contents

<b>1 Safety instructions</b> .....	<b>13</b>
1.1 Symbols used to mark instructions .....	13
1.2 Instructions for use .....	13
1.3 Purpose and intended use .....	13
1.4 Electrical connection .....	13
1.5 Extension lead .....	14
1.6 Guarantee .....	14
1.7 Important warnings .....	14
<b>2 Risks</b> .....	<b>15</b>
2.1 Electrical components .....	15
2.2 Hazardous dust .....	16
2.3 Spare parts and accessories .....	16
2.4 In explosive or inflammable atmosphere .....	16
<b>3 Control / Operation</b> .....	<b>16</b>
3.1 Starting and operating of the machine .....	16
3.2 Auto-On/Off socket outlet for power tools ...	17
3.3 AutoClean .....	17
3.4 Flow rate warning .....	17
3.5 Antistatic connection*) .....	18
3.6 Cooling air filter .....	18
3.7 Wet pick-up .....	18
3.8 Dry pick-up .....	18
<b>4 After using the machine</b> .....	<b>19</b>
4.1 After use .....	19
4.2 Transport .....	19
4.3 Storage .....	19
4.4 Accessory and tool storage .....	19
4.5 Recycling the machine .....	19
<b>5 Maintenance</b> .....	<b>19</b>
5.1 Regular servicing and inspection .....	19
5.2 Maintenance .....	19
<b>6 Further information</b> .....	<b>20</b>
6.1 EU Declaration of conformity .....	20
6.2 Specifications .....	21

# 1 Safety instructions



This document contains the safety information relevant for the appliance along with a quick reference guide. Before starting up your machine for the first time, this instruction manual must be read through carefully. Save the instructions for later use.

## Further support

Further information on the appliance can be found on our web site at [www.makita.com](http://www.makita.com).

For further queries, please contact the Makita service representative responsible for your country.

See reverse of this document.

## 1.1 Symbols used to mark instructions

### DANGER



Danger that leads directly to serious or irreversible injuries, or even death.

### WARNING



Danger that can lead to serious injuries or even death.

### CAUTION



Danger that can lead to minor injuries and damage.

## 1.2 Instructions for use

The appliance must:

- only be used by persons, who have been instructed in its correct usage and explicitly commissioned with the task of operating it
- only be operated under supervision

This appliance is not intended for use by persons (including children) with reduced physical, sensory or mental capabilities, or lack of experience and knowledge.

Children shall be supervised to make sure that they do not play with the appliance.

Do not use any unsafe work techniques.

Never use the appliance without a filter.

Switch off the appliance and disconnect the mains plug in the following situations:

- Prior to cleaning and servicing
- Prior to replacing components
- Prior to changing over the appliance
- If foam develops or liquid emerges

Besides the operating instructions and the binding accident prevention regulations valid in the country

of use, observe recognised regulations for safety and proper use.

Before starting work, the operating staff must be informed on and trained within:

- use of the machine
- risks associated with the material to be picked up
- safe disposal of the picked up material

## 1.3 Purpose and intended use

This mobile dust extractor is designed, developed and rigorously tested to function efficiently and safely when properly maintained and used in accordance with the following instructions.

This machine is suitable for industrial use, such as e.g. plants, construction sites and workshops.

This machine is also intended for commercial use, for example in hotels, schools, hospitals, factories, shops, offices and rental businesses.

Accidents due to misuse can only be prevented by those using the machine.

**READ AND FOLLOW ALL SAFETY INSTRUCTIONS.**

The appliance is suitable for picking up dry, non-flammable dust and liquids.

Any other use is considered as improper use. The manufacturer accepts no liability for any damage resulting from such use. The risk for such use is borne solely by the user. Proper use also includes proper operation, servicing and repairs as specified by the manufacturer.

The air flow in Safety Vacuum systems has to be strictly controlled to achieve a minimum flow rate of  $V_{\min} = 20 \text{ m/s}$  in the suction hose.

The appliance is suitable for picking up dry, non-flammable dust, non flammable liquids, sawdust and hazardous dusts with OEL values (Occupational Exposure Limit)  $> 0.1 \text{ mg/m}^3$ .



Dust Class M (IEC 60335-2-69). The dusts which belong to this class are: dusts with OEL values  $> 0.1 \text{ mg/m}^3$  as well as saw dust. The machine is tested in its entirety by vacuums for this dust class. The maximum degree of permeability is 0.1 % and the disposal must be low dust.

For dust extractors, ensure adequate air change rate, when the exhaust air is returned to the room. Observe national regulations before use.

## 1.4 Electrical connection

It is recommended that the machine should be connected via a residual current circuit breaker.



Arrange the electrical parts (sockets, plugs and couplings) and lay down the extension lead so that the protection class is maintained.

Connectors and couplings of power supply cords and extension leads must be watertight.

### 1.5 Extension lead

As an extension lead, only use the version specified by the manufacturer or one of a higher quality.

When using an extension lead, check the minimum cross-sections of the cable:

Cable length	Cross section	
	< 16 A	< 25 A
up to 20 m	1.5 mm <sup>2</sup>	2.5 mm <sup>2</sup>
20 to 50 m	2.5 mm <sup>2</sup>	4.0 mm <sup>2</sup>


### 1.6 Guarantee

Our general conditions of business are applicable with regard to the guarantee.

Unauthorised modifications to the appliance, the use of incorrect brushes in addition to using the appliance in a way other than for the intended purpose exempt the manufacturer from any liability for the resulting damage.

### 1.7 Important warnings

## WARNING

 To reduce the risk of fire, electric shock, or injury, please read and follow all safety instructions and caution markings before use. This machine is designed to be safe when used for cleaning functions as specified. Should damage occur to electrical or mechanical parts, the machine and / or accessory should be repaired by a competent service center or the manufacturer before use in order to avoid further damage to the machine or physical injury to the user.

Do not leave the machine when it is plugged in. Unplug from the socket when not in use and before maintenance.

Outdoor use of the appliance shall be limited to occasional use.

Do not use with damaged cord or plug. To unplug grasp the plug, not the cord. Do not handle plug or machine with wet hands. Turn off all controls before unplugging.

Do not pull or carry by cord, use cord as a handle, close a door on cord, or pull cord around sharp edges or corners. Do not run machine over cord. Keep cord away from heated surfaces.

Keep hair, loose clothing, fingers and all parts of the body away from openings and moving parts. Do not put any objects into openings or use with opening blocked. Keep openings free of dust, lint, hair, and anything else that could reduce the flow of air.

Do not use in outside areas at low temperature.

Do not use to pick up flammable or combustible liquids such

as gasoline, or use in areas where they may be present.

Do not pick up anything that is burning or smoking, such as cigarettes, matches or hot ashes.

Use extra care when cleaning on stairs.

Do not use unless filters are fitted.

If the machine is not working properly or has been dropped, damaged, left outdoors, or dropped into water, return it to a service center or dealer.

If foam or liquid escapes from the machine, switch off immediately.

The machine may not be used as a water pump. The machine is intended for vacuuming air and water mixtures.

Connect the machine to a properly earthed mains supply. The socket outlet and the extension cable must have an operative protective conductor.

Provide for good ventilation at the working place.


Do not use the machine as a ladder or step ladder. The machine can tip over and become damaged. Danger of injury.

Only use the socket outlet on the machine for purposes specified in the instructions.

## 2 Risks

### 2.1 Electrical components


#### **DANGER**

 The upper section of the machine contains live components.

Contact with live components leads to serious or even fatal injuries.

1. Never spray water on to the upper section of the machine.

#### **DANGER**

 Electric shock due to faulty mains connecting lead.

Touching a faulty mains connecting lead can result in serious or even fatal injuries.

1. Do not damage the mains power lead (e.g. by driving over it, pulling or crushing it).
2. Regularly check whether the power cord is damaged or shows signs of ageing.

3. If the electric cable is damaged, it must be replaced by an authorized Makita distributor or similar qualified person in order to avoid a hazard.
4. In no circumstances should the power supply cord be wrapped around fingers or any part of the operators person.

## 2.2 Hazardous dust

### WARNING

Hazardous materials.

Vacuuming up hazardous materials can lead to serious or even fatal injuries.

1. The following materials must not be picked up by the machine:
  - hot materials (burning cigarettes, hot ash, etc.)
  - flammable, explosive, aggressive liquids (e.g. petrol, solvents, acids, alkalis, etc.)
  - flammable, explosive dust (e.g. magnesium or aluminium dust, etc.)

## 2.3 Spare parts and accessories


### CAUTION



Spare parts and accessories.

The use of non-genuine spare parts, brushes and accessories can impair the safety and or function of the appliance.

1. Only use original spare parts and accessories from Makita. Spare parts that can affect health and safety of the operator and or function of the appliance, are specified below:

Description		Order No.
Flat filter PTFE, 1 pcs.		W107418351
Fleece filter bag, 5 pcs		W107418353
Disposal bag, 5 pcs		W107418355
Motor cooling air filter PET, 1 pcs		W107418352

## 2.4 In explosive or inflammable atmosphere

### CAUTION



This machine is not suitable for use in explosive or inflammable atmospheres or where such atmospheres are likely to be produced by the presence of volatile liquid or inflammable gas or vapour.

## 3 Control / Operation

### CAUTION



Damage due to unsuitable mains voltage.

The appliance can be damaged as a result of being connected to an unsuitable mains voltage.

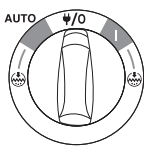



1. Ensure that the voltage shown on the rating plate corresponds to the voltage of the local mains power supply.

### 3.1 Starting and operating of the machine


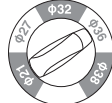
1. Check that the electrical switch is switched off (in position 0).
2. Check that suitable filters are installed in the machine.
3. Connect the suction hose into the suction inlet at the machine by pushing the hose forward until it fits firmly in place at the inlet.
4. Connect the tubes with the hose handle, twist the tubes in order to ensure that they are properly fitted.
5. Attach suitable nozzle to the tube. Choose nozzle depending on what type of material that is to

be picked-up. If used for dust extraction in connection with dust producing tool then connect end of suction hose with appropriate adapter.

6. Check that hose diameter setting corresponds to actual hose diameter.
7. Connect the plug into a proper electrical outlet.
8. Put the electrical switch into position I in order to start the motor.

	Turn I: Activate the machine
	Turn I/O: Stop the machine. Permanent power on socket
	Turn AUTO: Activate Auto-On/Off operation
	Turn I +  Off: Activate the machine with deactivated automatic filter cleaning function
	Turn AUTO +  Off: Activate Auto-On/Off operation with deactivated automatic filter cleaning function
	Speed control operation on separate turning knob

The hose diameter and the setting for suction hose diameter must be the same.

	
ø21	ø21
ø27	ø27
ø32	ø32
ø36	ø36
ø38	ø38

### 3.2 Auto-On/Off socket outlet for power tools

#### CAUTION



Appliance socket.

The appliance socket is designed for electrical auxiliary equipment; see technical data for reference.

1. Prior to plugging in an appliance, always switch off the machine and the appliance that is to be connected.
2. Read the operating instructions to the appliance to be connected and observe the safety notes contained in these.

An appliance socket with earthing contact is integrated in the machine. An external power tool can be connected there. The socket features permanent power on, when the electrical switch is in position

I/O, i.e. the machine can be used as an extension cord.

In position AUTO the machine can be switched on and off by the power tool connected. Dirt is picked up from the source of dust immediately. To comply with regulations, only approved dust producing tools should be connected.

The maximum power consumption of the connected electrical appliance is stated in section "Specifications".

Before turning the switch to position AUTO ensure that the tool connected to the appliance socket is switched off.

### 3.3 AutoClean

The machine is equipped with an automatic filter cleaning system, AutoClean. A frequent cleaning cycle will automatically run during operation to ensure that suction performance is always at its best.

If suction performance decreases or in extensive dust applications a manually filter cleaning operation is recommended:

1. Switch off the machine.
2. Close the nozzles or suction hose opening with the palm of your hand.
3. Turn the switch to position „I“ and let the machine operate at full speed for approx. 10 seconds with the suction hose opening closed.

If suction power is still reduced take out the filter and clean mechanically or replace filter.

For certain applications, like wet pick up, it is recommended to turn off the automatic filter cleaning system. For details see chapter 3.1.

### 3.4 Flow rate warning

#### CAUTION



Check that all the filters are present and properly fitted.

The machine is equipped with a system to monitor air velocity. Before picking up dust with occupational exposure limit values, check the volume flow monitor.

1. When the motor is running, hold the suction hose shut to reduce the volume flow. The LED indicator on front panel will light after approx. 1 second. The acoustic warning sounds after some additional seconds.
2. Set the diameter setting to the actual hose size.




When LED indicator lights, air velocity is below 20 m/s.

1. Check if container or filter bag is full.
2. check if air flow is reduced in suction hose, tube/ nozzle, filter.

### 3.5 Antistatic connection<sup>\*)</sup>

#### CAUTION

 The machine is equipped with an antistatic system to discharge any static electricity that may develop during dust pick-up.

The antistatic system is placed in front part of the motor top and creates an earth ground connection to the inlet fitting of the container.

For proper function the use of an electrical conductive or antistatic suction hose is recommended.


1. When inserting the optional disposal bag make sure the antistatic connection is kept.

### 3.6 Cooling air filter

To protect the electronics and motor, the machine is equipped with a cooling air diffusor. Clean the cooling air diffusor regularly.

For areas with a high concentration of fine dust in the surrounding air it is recommended to equip the machine with an optional cooling air filter cartridge to prevent dust from settling inside the air channels and motor. Contact your local sales representative.


#### CAUTION

 If cooling air filter is clogged by dust the overload protection switch in the motor can be activated.

1. In such case switch off the machine, clean cooling air filter and allow machine to cool for approx. 5 minutes.

### 3.7 Wet pick-up

#### CAUTION

 The machine is equipped with a water level limit system which shuts off the machine when the maximum liquid level is reached.

1. When this occurs, switch off the machine.
2. Disconnect the machine from the socket and empty the container.
3. Never pick up liquids without the water level limit system and filter in place.
4. Do not pick up flammable liquids.
5. Before liquids are picked up, always remove the filter bag/wastebag and check that the water level limit works properly.
6. If foam appears, stop work immediately and empty the tank.
7. Clean the water level limiting device regularly and check for signs of damage.

Before emptying the container, unplug the machine. Disconnect the hose from the inlet by pulling out the hose. Release the latches by pulling them outwards so that the motor top is released. Lift up the motor top from container. Always empty and clean the container and water level limit system after picking-up liquids.


Empty by tilting the container backwards or sideways and pour the liquids into a floor drain or similar.

Put back the motor top to the container. Secure the motor top with the latches.

Heavy maneuvers can, by mistake, trigger the water level limiting device. Should this happen; turn off the machine and wait for 3 seconds to reset the device. Continue to operate the machine afterwards.

### 3.8 Dry pick-up

#### CAUTION

 Picking up environmentally hazardous materials.

Materials picked up can present a hazard to the environment.

1. Dispose of the dirt in accordance with legal regulations.

Remove the electrical plug from the socket before emptying after dry pick-up. Remove the suction hose from the machine and close the inlet cap, to avoid harmful dust spreading. Release the latches by pulling them outwards so that the motor top is released. Lift up the motor top from container.

**Filter:** Check the filters. To clean the filter you can shake, brush or wash it. Wait until the filter is dry before re-starting dust pick-up.

**Dust bag:** check bag to ensure the fill factor. Replace dust bag if necessary. Remove the old bag. The new bag is fitted by passing the cardboard piece with the rubber membrane through the vacuum inlet. Make sure that the rubber membrane is passing past the heightening at the vacuum inlet.

**After emptying:** close motor top to the container and secure the motor top with the latches. Never pick up dry material without filter fitted in the machine. The suction efficiency of the machine depends on the size and quality of the filter and dust bag. Therefore – use only Original filter and dust bags.

## 4 After using the machine

### 4.1 After use

After picking up hazardous dust, close the inlet cap and clean the outside of the machine.

Remove the plug from the socket when machine is not in use. Wind up the cord starting from the machine. The power cord can be wound up around the motor top or at the container or placed in the included hook, or fastening means. Some variants have special storage places for accessories.

### 4.2 Transport

1. Before transporting the machine, close all the latches.
2. Close the inlet with the inlet cap.
3. Do not tilt the machine if there are liquids in the dirt tank.
4. Do not use a crane hook to lift the machine.
5. Do not lift the machine by the trolley handle or the handle of the MAKPAC-Box<sup>\*)</sup>.

### 4.3 Storage

#### CAUTION



Store the appliance in a dry place, protected from rain and frost. The machine shall be stored indoors only.

### 4.4 Accessory and tool storage

For convenient transport and storage of accessories or tools, integrated rails are found on side of machine which allows fastening with straps or other means. A flexible strap and hooks are included on back of machine for attachment of suction hose or mains cable. For instruction see quick reference guide.

An optional adapter plate<sup>\*)</sup> with attachment system can be installed on top of machine for fastening of 2-point or 4-point storage cases.

Remove the electrical plug from the socket before installing the adapter plate.

#### CAUTION<sup>\*)</sup>



Do not lift machine in adapter plate without having storage case safely installed. Note the weight and balance of the appliance in case of storage. Maximum weight of storage cases is 30 kg.

### 4.5 Recycling the machine

Make the old machine unusable.

1. Unplug the machine.
2. Cut the power cord.

3. Do not discard of electrical appliances with household waste.



As specified in European Directive 2012/19/EU on old electrical and electronic appliances, used electrical goods must be collected separately and recycled ecologically.

## 5 Maintenance

### 5.1 Regular servicing and inspection

Regular servicing and inspection of your machine must be carried out by suitably qualified personnel in accordance with relevant legislation and regulations. In particular, electrical tests for earth continuity, insulation resistance, and condition of the flexible cord should be checked frequently.

In the event of any defect, the machine MUST be withdrawn from service, completely checked and repaired by an authorized service technician.

At least once a year, a Makita technician or an instructed person must perform a technical inspection including filters, air tightness and control mechanisms.

### 5.2 Maintenance

Remove the plug from the socket before performing maintenance. Before using the machine make sure that the frequency and voltage shown on the rating plate correspond with the mains voltage.

The machine is designed for continuous heavy work. Depending on the number of running hours – the dust filter should be renewed. Keep the machine clean with a dry cloth, and a small amount of spray polish.

During maintenance and cleaning, handle the machine in such a manner that there is no danger for maintenance staff or other persons.

In the maintenance area

- Use filtered compulsory ventilation
- Wear protective clothing
- Clean the maintenance area so that no harmful substances get into the surroundings.

During maintenance and repair work all contaminated parts that could not be cleaned satisfactorily must be:

- Packed in well sealed bags
- Disposed of in a manner that complies with valid regulations for such waste removal.

For details of after sales service contact your dealer or Makita service representative responsible for your country. See reverse of this document.

D

Makita VC4210M

GB

F

## 6 Further information

### 6.1 EU Declaration of conformity

We hereby declare that the machine described below complies with the relevant basic safety and health requirements of the EU Directives, both in its basic design and construction as well as in the version put into circulation by us. This declaration shall cease to be valid if the machine is modified without our prior approval.

Product: Wet and dry vacuum cleaner  
Type: VC4210M

Relevant EU Directives:  
2006/42/EC, 2014/30/EU, 2011/65/EC

Applied harmonized standards:  
EN 60335-1:2012+A11:2014  
EN 60335-2-69:2012  
EN 55014-1:2006+A1:2009+A2:2011  
EN 55014-2:1997+A1:2001+A2:2008  
EN 61000-3-2:2014  
EN 61000-3-3:2013  
EN 50581:2012

Authorised Documentation Representative:  
Makita Europe N.V., Jan-Baptist Vinkstraat 2,  
3070 Kortenberg, Belgium



02.01.2017  
Yasushi Fukaya, Director  
Makita Europe N.V., Jan-Baptist Vinkstraat 2,  
3070 Kortenberg, Belgium

NL

I

N

S

DK

SF

E

P

GR

TR

SLO

HR

SK

CZ

PL

H

RO

BG

RUS

EST

LV

LT

AL

MK

SR

UK

## 6.2 Specifications

Makita VC4210M						
	EU/RU	AU	CH	GB 230 V	GB 110 V, 16 A	GB 110 V, 25 A
Mains Voltage	220-240	220-240	220-240	220-240	110-120	110-120
Mains frequency	50/60					
Power consumption / Rated current	1200		1000		1000	
Connected load for appliance socket	2400	1100	1100	1700	-	1750
Total connected load	3600	2300	2300	2900	1000	2750
Fuse	16	10		13	16	25
Volume flow (air) max.¹)	4500 (270)					
Vacuum	250 (250)					
Sound pressure level at a distance of 1 m, ISO 3744	62 ±2					
Sound level	60 ±2					
Hand-arm vibration	<2.5					
Power cord length	7.5					
Power cord type	H07RN-F 3G1.5 mm²	H05RN-F 3G1.0 mm²		H07RN-F 3G1.5 mm²	H07BQ-F 3G1.5	H07BQ-F 3G2.5
Protection class	I					
Type of protection	IPX4					
Radio interference suppression level	EN 55014-1					
Dust class	M					
Tank volume	I (UKgal)					
Width	42 (9.2)					
Depth	385 (15.2)					
Height	575 (22.6)					
Weight (net, most common application)	605 (23.8)					
	16.0 (35.3)					

\* measured at turbine  
Specifications and details are subject to change without prior notice.