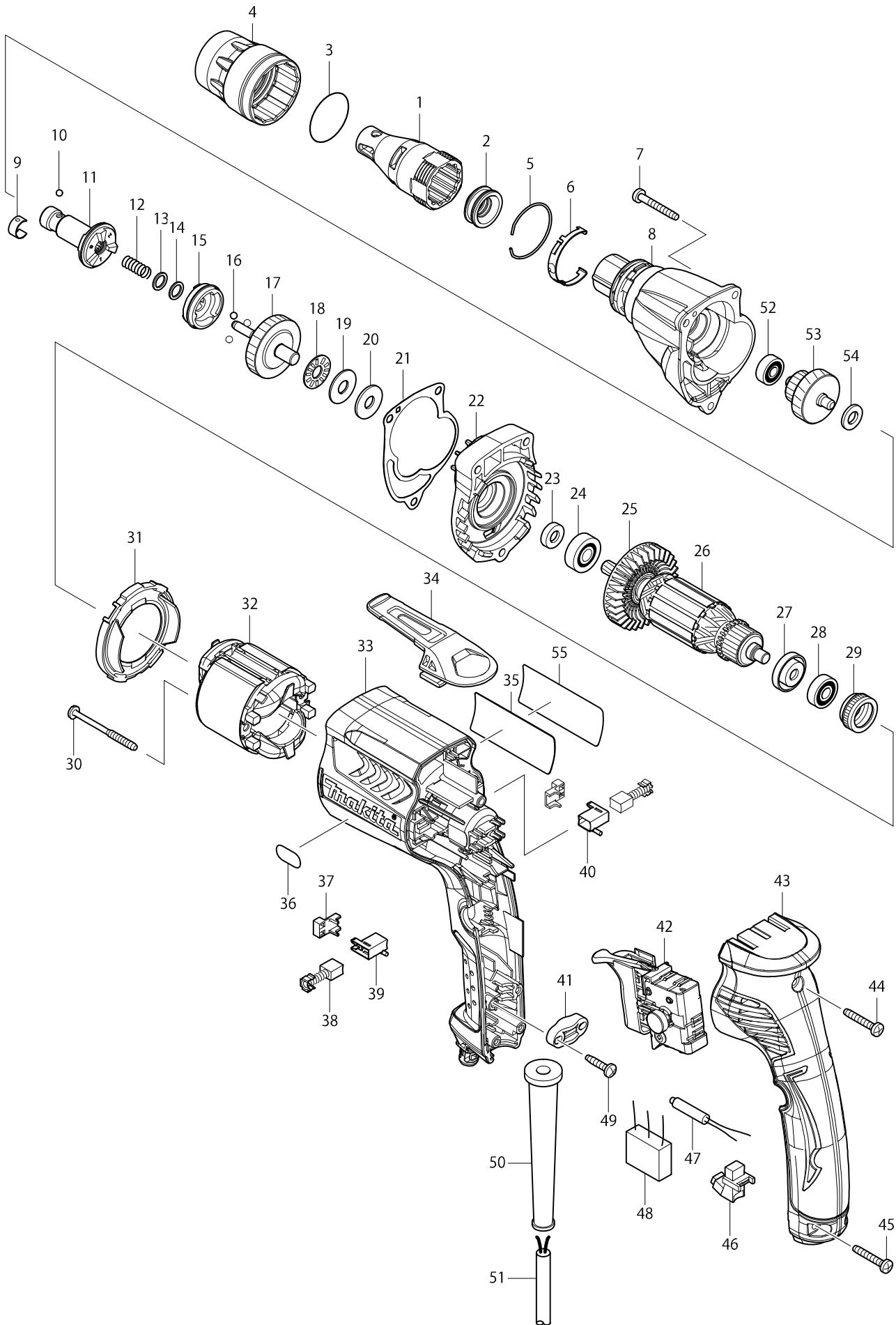


Model No. FS2300 DRYWALL SCREWDRIVER



Model No. FS2300 DRYWALL SCREWDRIVER

Item	Parts No.	Description	I/C	Qty	N/O	Sales	Purch.	Note
001	158876-0	LOCATOR L COMPLETE		1				
002	424163-2	DUST SEAL SLEEVE		1				
003	424235-3	SEAL RING 30		1				
004A	450881-6	LOCK RING		1	*			
004-1A	455591-0	LOCK RING	O	1				
004-1B	455591-0	LOCK RING		1				
005	233974-2	RING SPRING 33		1				
006	232245-4	LEAF SPRING		1				
007	266361-0	TAPPING SCREW 4X30		3				
008A	158895-6	GEAR HOUSING LS COMPLETE		1	*			
008-1A	142299-2	GEAR HOUSING LS COMPLETE	O	1				
008-1B	142299-2	GEAR HOUSING LS COMPLETE		1				
009	232050-9	LEAF SPRING		1				
010	216001-0	STEEL BALL 3.5		1				
011	158886-7	SPINDLE 125S COMPLETE		1				
012	234121-8	COMPRESSEION SPRING 8		1				
013	267202-3	FLAT WASHER 8		1				
014	267202-3	FLAT WASHER 8		1				
015	223170-0	CLUTCH CAM 125S		1				
016	216008-6	STEEL BALL 4		3				
017	158891-4	SPUR GEAR 35S COMPLETE		1				
018	216415-3	THRUST NEEDLE GAUGE 821		1				
019	216212-7	WASHER 821		1				
020	261111-8	URETHANE WASHER 8		1				
021	442149-4	GASKET		1				
022	158982-1	GEAR HOUSING COVER COMPLETE		1				
023	451099-2	RING 7		1				
024	210007-0	BALL BEARING 608VV		1				
025	240083-0	FAN 52		1				
D10		INC. 23-25,27,28						
026A	518831-8	ARMATURE ASSEMBLY 220V		1				
026B	515760-6	ARMATURE ASSEMBLY 115V		1				
027	681636-0	INSULATION WASHER		1				
028	210062-2	BALL BEARING 607ZZ		1				
029	421868-5	LABYRINTH RUBBER RING 19		1				
030	266467-4	TAPPING SCREW 4X50		2				
031	450880-8	BAFFLE PLATE		1				
032A	633693-4	FIELD 220-240V		1				
032B	633690-0	FIELD 115V		1				
033	450877-7	MOTOR HOUSING S		1				
034	162272-6	HOOK		1				
035	867019-0	FS2300 NAME PLATE		1				
036	808574-3	INDICATION LABEL		1				
037	689111-0	SPACER		2				
038	191962-4	CARBON BRUSH CB-419		1				
039	643952-8	BRUSH HOLDER		1				
040	643953-6	BRUSH HOLDER		1				
041	687123-7	STRAIN RELIEF		1				

