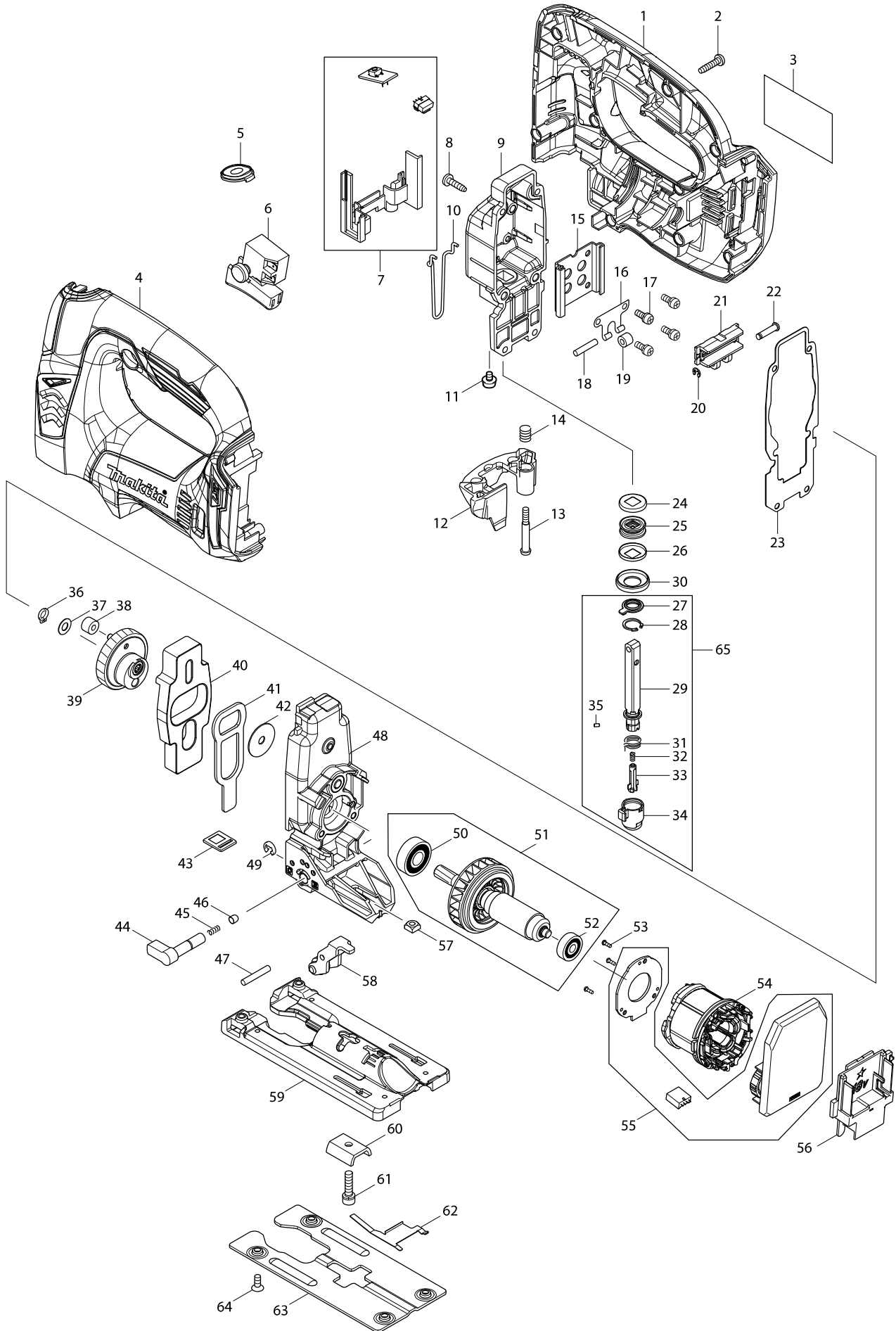


Model No. DJV182 CORDLESS JIG SAW



Model No. DJV182 CORDLESS JIG SAW

| Item | Parts No. | Description | I/C | Qty | N/O | Sales | Purch. | Note |
|--------|-----------|-----------------------------|-----|-----|-----|-------|--------|------|
| 001 | 187706-8 | HOUSING SET | | 1 | | | | |
| C10 | 263005-3 | RUBBER PIN 6 | | 2 | | | | |
| D10 | | INC. 4 | | | | | | |
| 002 | 265995-6 | TAPPING SCREW 4X18 | | 9 | | | | |
| 003 | 814V65-6 | DJV182 NAME PLATE | | 1 | | | | |
| 004 | 187706-8 | HOUSING SET | | 1 | | | | |
| C10 | 263005-3 | RUBBER PIN 6 | | 2 | | | | |
| D10 | | INC. 1 | | | | | | |
| 005 | 142303-7 | SWITCH PLATE COMPLETE | | 1 | | | | |
| 006 | 650251-1 | SWITCH SGEL106C-4 | | 1 | | | | |
| 007 | 632B56-3 | SWITCH UNIT | | 1 | | | | |
| 008 | 266034-5 | TAPPING SCREW CT 4X16 | | 4 | | | | |
| 009 | 142112-4 | GEAR HOUSING COVER COMPLETE | | 1 | | | | |
| 010 | 326302-9 | SAFETY WIRE | | 1 | | | | |
| 011 | 911104-2 | PAN HEAD SCREW M4X6 | | 1 | | | | |
| 012 | 454483-0 | TOOL OPENER | | 1 | | | | |
| 013 | 265026-1 | + PAN HEAD SCREW M4 | | 1 | | | | |
| 014 | 231659-4 | TORSION SPRING 6 | | 1 | | | | |
| 015 | 346687-7 | LINEAR GUIDE | | 1 | | | | |
| 016 | 232207-2 | LEAF SPRING | | 1 | | | | |
| 017 | 911111-5 | PAN HEAD SCREW M4X10 | | 4 | | | | |
| 018 | 256117-9 | PIN 4 | | 1 | | | | |
| 019 | 214031-5 | PLANE BEARING 4 | | 1 | | | | |
| 020 | 961017-7 | STOP RING E-3 | | 1 | | | | |
| 021 | 310548-7 | SLIDER | | 1 | | | | |
| 022 | 268090-1 | PIN 4 | | 1 | | | | |
| 023 | 442195-7 | GASKET | | 1 | | | | |
| 024 | 267854-0 | CAP WASHER 8 | | 1 | | | | |
| 025 | 421815-6 | DUST SEAL 8 | | 1 | | | | |
| 026 | 267854-0 | CAP WASHER 8 | | 1 | | | | |
| 027 | 424569-4 | DUST COVER | | 1 | | | | |
| 028 | 962063-3 | RETAINING RING R-13 | | 1 | | | | |
| 029 | 165724-6 | ROD | | 1 | | | | |
| 030 | 257347-5 | RING 21 | | 1 | | | | |
| 031 | 233591-8 | TORSION SPRING 10 | | 1 | | | | |
| 032 | 233314-4 | COMPRESSION SPRING 4 | | 1 | | | | |
| 033 | 310485-5 | LOCK PIN | | 1 | | | | |
| 034 | 310547-9 | BLADE HOLDER | | 1 | | | | |
| 035 | 256528-8 | PIN 2 | | 1 | | | | |
| 036 | 961002-0 | RETAINING RING S-6 | | 1 | | | | |
| 037 | 253715-0 | FLAT WASHER 6 | | 1 | | | | |
| 038A | 212014-9 | NEEDLE BEARING 407 | | 1 | * | | | |
| 038B | 212014-9 | NEEDLE BEARING 407 | | 1 | * | | | |
| 038-1A | 212092-9 | NEEDLE BEARING 407 | O | 1 | | | | |
| 038-1B | 212092-9 | NEEDLE BEARING 407 | O | 1 | | | | |
| 038-1C | 212092-9 | NEEDLE BEARING 407 | | 1 | | | | |
| 039 | 142109-3 | GEAR COMPLETE | | 1 | | | | |
| 040 | 313260-8 | BALANCE PLATE | | 1 | | | | |

Model No. DJV182 CORDLESS JIG SAW

| Item | Parts No. | Description | I/C | Qty | N/O | Sales | Purch. | Note |
|--------|-----------|-------------------------------|-----|-----|-----|-------|--------|------|
| 041 | 346688-5 | PUSH PLATE | | 1 | | | | |
| 042 | 253196-8 | FLAT WASHER 6 | | 1 | | | | |
| 043 | 454484-8 | SEAL PLATE | | 1 | | | | |
| 044A | 272244-4 | LEVER 17 | | 1 | * | | | |
| 044B | 272244-4 | LEVER 17 | | 1 | * | | | |
| 044-1A | 272280-0 | LEVER 17 | < | 1 | | | | |
| 044-1B | 272280-0 | LEVER 17 | < | 1 | | | | |
| 044-1C | 272280-0 | LEVER 17 | | 1 | | | | |
| 045 | 233139-6 | COMPRESSION SPRING 3 | | 1 | | | | |
| 046 | 286032-3 | CAP 5 | | 1 | | | | |
| 047 | 268063-4 | PIN 4 | | 1 | | | | |
| 048 | 142111-6 | GEAR HOUSING COMPLETE | | 1 | | | | |
| 049 | 961018-5 | STOP RING E-5 | | 1 | | | | |
| 050 | 210059-1 | BALL BEARING 6000DDW | | 1 | | | | |
| 051 | 519329-8 | ROTOR ASSY | | 1 | | | | |
| D10 | | INC. 50,52 | | | | | | |
| 052 | 210022-4 | BALL BEARING 626DDW | | 1 | | | | |
| 053 | 266490-9 | TAPPING SCREW PT 2X6 | | 3 | | | | |
| 054 | 629998-8 | STATOR | | 1 | | | | |
| 055 | 620248-4 | CONTROLLER | | 1 | | | | |
| 056 | 643899-6 | TERMINAL | | 1 | | | | |
| 057 | 252171-1 | SQUARE NUT M5-8 | | 1 | | | | |
| 058 | 142110-8 | RETAINER COMPLETE | | 1 | | | | |
| 059 | 319016-7 | BASE | | 1 | | | | |
| 060 | 345237-5 | CRANK PLATE | | 1 | | | | |
| 061 | 922231-0 | HEX. SOCKET HEAD BOLT M5X20 | | 1 | | | | |
| 062 | 232208-0 | LEAF SPRING | | 1 | | | | |
| 063 | 346685-1 | BASE PLATE | | 1 | | | | |
| 064 | 265085-5 | + COUNTERSUNK HEAD SCREW M4X8 | | 4 | | | | |
| 065 | 135602-4 | ROD ASS'Y | | 1 | | | | |
| D10 | | INC. 27-29,31-35 | | | | | | |
| A02 | 415524-7 | ANTI-SPLINTERING DEVICE | | 1 | | | | |
| A03 | 417852-6 | COVER PLATE | | 1 | | | | |
| A04 | A-85737 | JIGSAW BLADE NO.B22 | | 1 | | | | |
| A05 | A-85628 | JIGSAW BLADE NO.B10 | | 1 | | | | |
| A06 | A-85793 | JIGSAW BLADE NO.BR13 | | 1 | | | | |
| A07 | 783202-0 | HEX. WRENCH 4 | | 1 | | | | |
| A08A | 821593-2 | PLASTIC CARRYING CASE | | 1 | | | | |
| C10 | 162315-4 | LATCH | | 2 | | | | |
| A08C | 821593-2 | PLASTIC CARRYING CASE | | 1 | | | | |
| C10 | 162315-4 | LATCH | | 2 | | | | |
| A09A | 802D71-5 | DJV182RFE PLASTIC CASE LABEL | | 2 | | | | |
| A09C | 802D76-5 | DJV182RME PLASTIC CASE LABEL | | 2 | | | | |
| A10A | ***DC18RC | DC18RC FAST CHARGER | | 1 | | | | |
| A10C | ***DC18RC | DC18RC FAST CHARGER | | 1 | | | | |
| A11A | 194204-5 | BATTERY BL1830 SET | | 2 | * | | | |
| A11-1A | 194204-5 | BATTERY BL1830 SET | O | 2 | | | | |
| A11-1C | 196399-0 | BATTERY BL1840 SET | | 2 | * | | | |

