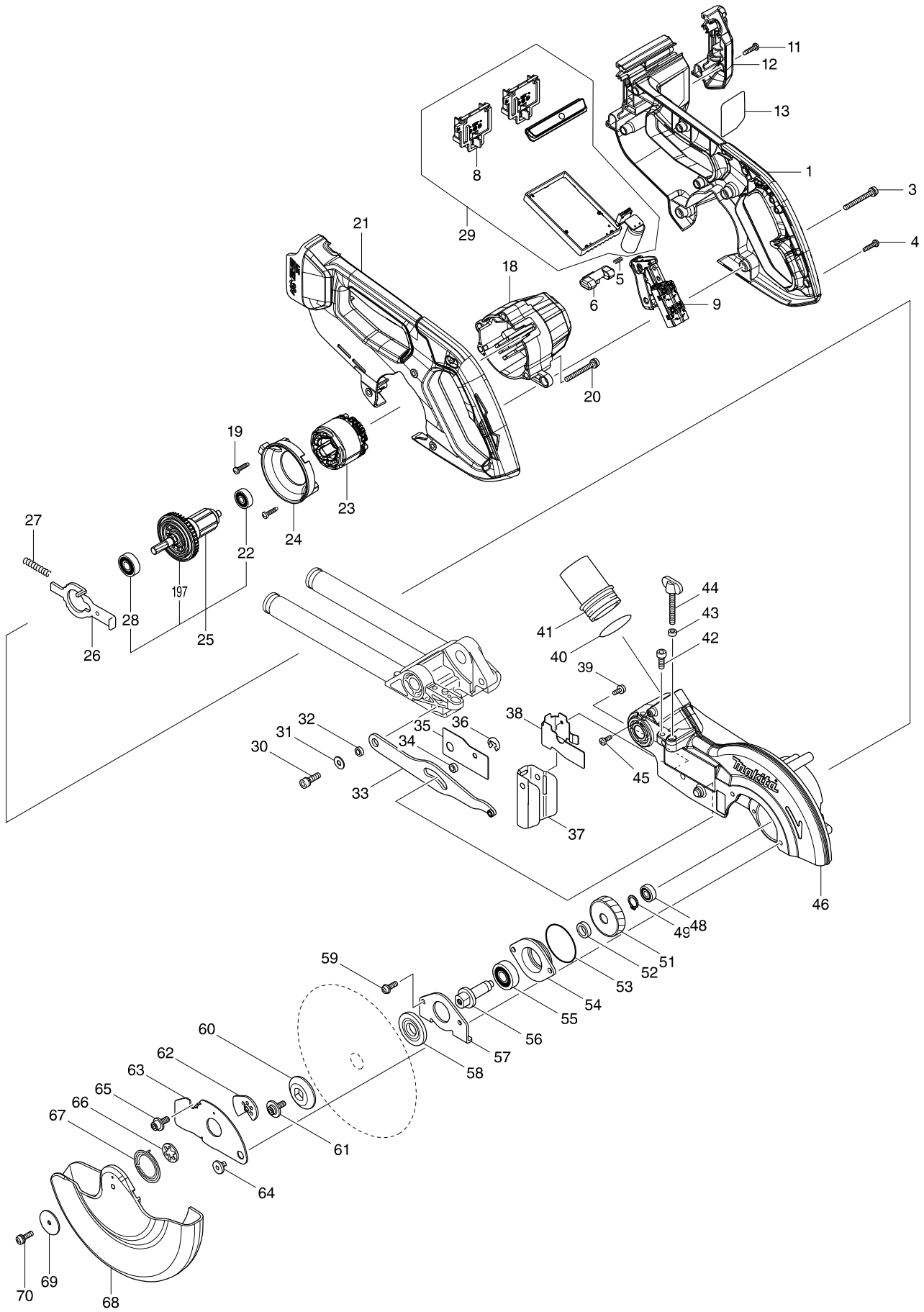
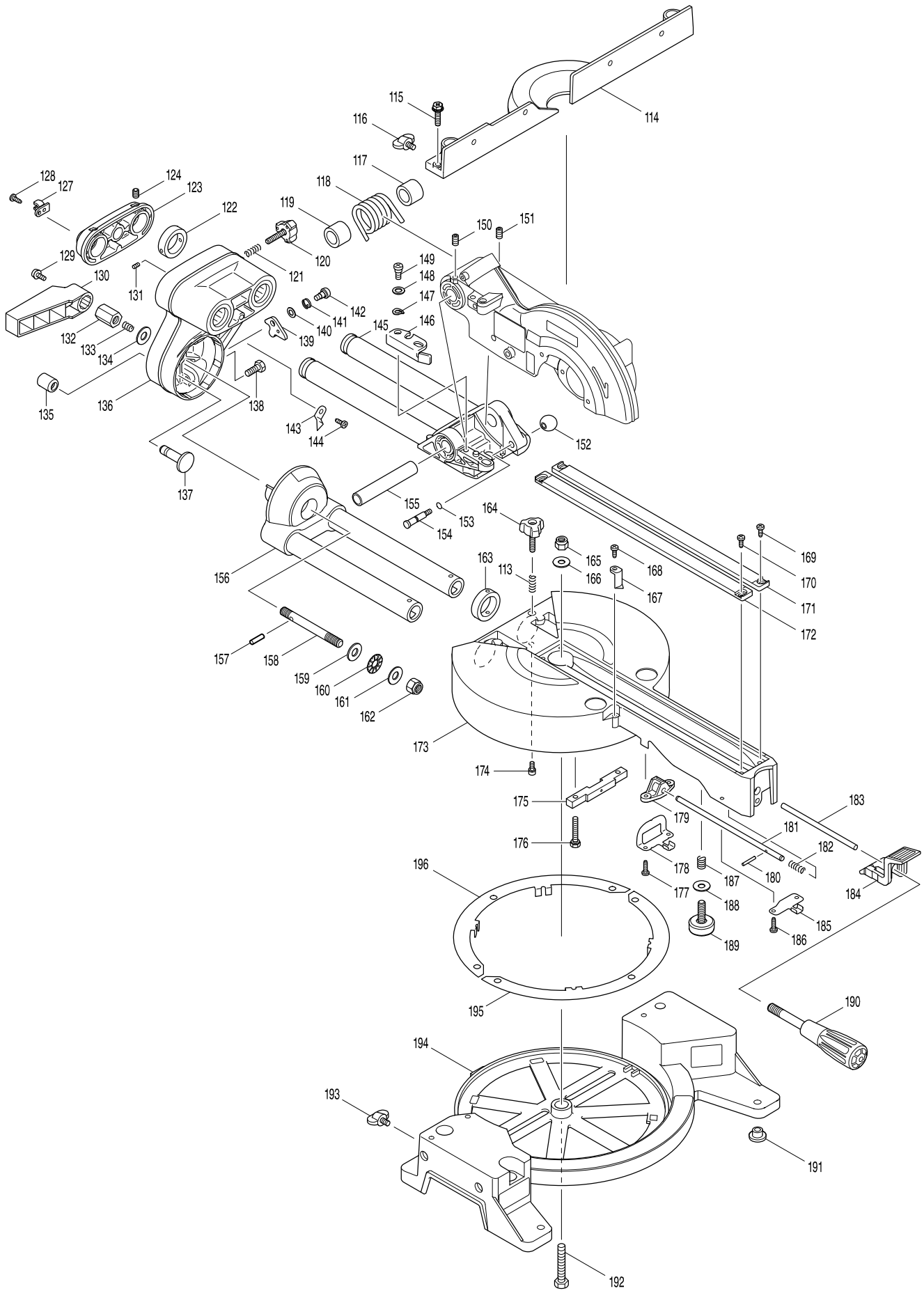


Model No. DLS714 DC SLIDE COMPOUND MITER SAW



Model No. DLS714 DC SLIDE COMPOUND MITER SAW



Model No. DLS714 DC SLIDE COMPOUND MITER SAW

| Item | Parts No. | Description | I/C | Qty | N/O | Sales | Purch. | Note |
|------|-----------|-----------------------------|-----|-----|-----|-------|--------|------|
| 001 | 183B55-3 | HANDLE SET | | 1 | | | | |
| D10 | | INC. 21 | | | | | | |
| 003 | 911268-2 | PAN HEAD SCREW M5X45 | | 3 | | | | |
| 004 | 265995-6 | TAPPING SCREW 4X18 | | 6 | | | | |
| 005 | 231397-8 | COMPRESSION SPRING 4 | | 1 | | | | |
| 006 | 456024-8 | LOCK OFF BUTTON | | 1 | | | | |
| 008 | 644808-8 | TERMINAL | | 2 | | | | |
| 009 | 650756-1 | SWITCH | | 1 | | | | |
| 011 | 265995-6 | TAPPING SCREW 4X18 | | 3 | | | | |
| 012 | 143268-6 | HANDLE COVER COMPLETE | | 1 | | | | |
| C10 | 263005-3 | RUBBER PIN 6 | | 1 | | | | |
| 013 | 851E60-3 | DLS714 NAME PLATE | | 1 | | | | |
| 018 | 456022-2 | MOTOR HOUSING | | 1 | | | | |
| 019 | 265995-6 | TAPPING SCREW 4X18 | | 2 | | | | |
| 020 | 911268-2 | PAN HEAD SCREW M5X45 | | 3 | | | | |
| 021 | 183B55-3 | HANDLE SET | | 1 | | | | |
| D10 | | INC. 1 | | | | | | |
| 022 | 210017-7 | BALL BEARING 607DDW | | 1 | | | | |
| 023 | 629157-4 | STATOR | | 1 | | | | |
| 024 | 456023-0 | BAFFLE PLATE | | 1 | | | | |
| 025 | 519373-5 | ROTOR ASS'Y | | 1 | | | | |
| D10 | | INC. 22,28,197 | | | | | | |
| 026 | 344681-3 | SHAFT LOCK | | 1 | | | | |
| 027 | 233092-6 | COMPRESSION SPRING 5 | | 1 | | | | |
| 028 | 211092-6 | BALL BEARING 629DDW | | 1 | | | | |
| 029 | 143291-1 | CONTROLLER COMPLETE | | 1 | | | | |
| D10 | | INC. 8 | | | | | | |
| 030 | 922331-6 | HEX. SOCKET HEAD BOLT M6X20 | | 1 | | | | |
| 031 | 253804-1 | FLAT WASHER 6 | | 1 | | | | |
| 032 | 257163-5 | RING 6 | | 1 | | | | |
| 033 | 154643-1 | LINK PLATE COMPLETE | | 1 | | | | |
| 034 | 257163-5 | RING 6 | | 1 | | | | |
| 035 | 346330-8 | LINK COVER | | 1 | | | | |
| 036 | 961018-5 | STOP RING E-5 | | 1 | | | | |
| 037 | 424045-8 | GUARD | | 1 | | | | |
| 038 | 345438-5 | GUARD PLATE | | 1 | | | | |
| 039 | 911113-1 | PAN HEAD SCREW M4X10 | | 1 | | | | |
| 040 | 213460-9 | O RING 35 | | 1 | | | | |
| 041 | 419277-0 | DUST NOZZLE | | 1 | | | | |
| 042 | 266757-5 | HEX. SOCKET HEAD BOLT M6X16 | | 1 | | | | |
| 043 | 262001-8 | URETHANE RING 5 | | 1 | | | | |
| 044 | 265717-4 | SCREW M6X43 | | 1 | | | | |
| 045 | 266026-4 | TAPPING SCREW BIND CT 4X12 | | 1 | | | | |
| 046 | 140697-4 | BLADE CASE COMPLETE | | 1 | | | | |
| C10 | 263002-9 | RUBBER PIN 4 | | 1 | | | | |
| C20 | 263005-3 | RUBBER PIN 6 | | 1 | | | | |
| 048 | 210017-7 | BALL BEARING 607DDW | | 1 | | | | |
| 049 | 961052-5 | RETAINING RING S-12 | | 1 | | | | |

Model No. DLS714 DC SLIDE COMPOUND MITER SAW

| Item | Parts No. | Description | I/C | Qty | N/O | Sales | Purch. | Note |
|------|-----------|------------------------------|-----|-----|-----|-------|--------|------|
| 051 | 227810-2 | HELICAL GEAR 53 | | 1 | | | | |
| 052 | 257088-3 | RING 12 | | 1 | | | | |
| 053 | 213623-7 | O RING 46 | | 1 | | | | |
| 054 | 317193-9 | BEARING BOX | | 1 | | | | |
| 055 | 211129-9 | BALL BEARING 6201DDW | | 1 | | | | |
| 056 | 323798-5 | SPINDLE | | 1 | | | | |
| 057 | 285694-4 | BEARING RETAINER 58 | | 1 | | | | |
| 058 | 224370-5 | INNER FLANGE 40 | | 1 | | | | |
| 059 | 911223-4 | PAN HEAD SCREW M5X16 | | 2 | | | | |
| 060 | 224275-9 | OUTER FLANGE 40 | | 1 | | | | |
| 061 | 266733-9 | HEX. S.F.H. BOLT M6X16 | | 1 | | | | |
| 062 | 345585-2 | CENTER PLATE | | 1 | | | | |
| 063 | 346232-8 | CENTER COVER | | 1 | | | | |
| 064 | 265985-9 | HEX.SOCKET HEAD BOLT M6 | | 1 | | | | |
| 065 | 266732-1 | HEX. SOCKET HEAD BOLT M6X16 | | 1 | | | | |
| 066 | 345589-4 | CENTER WASHER | | 1 | | | | |
| 067 | 231934-8 | SPIRAL SPRING 26 | | 1 | | | | |
| 068 | 419123-7 | SAFETY COVER | | 1 | | | | |
| 069 | 267136-0 | FLAT WASHER 5 | | 1 | | | | |
| 070 | 265491-4 | H.S. BUTTON HEAD BOLT M5X16 | | 1 | | | | |
| 113 | 231325-3 | COMPRESSION SPRING 6 | | 1 | | | | |
| 114 | 318655-0 | GUIDE FENCE | | 1 | | | | |
| 115 | 922344-7 | H.S.H.BOLT M6X25 WITH WG | | 3 | | | | |
| 116 | 251887-5 | SCREW M6X10 | | 1 | | | | |
| 117 | 416535-5 | SLEEVE 17 | | 1 | | | | |
| 118 | 233520-1 | TORSION SPRING 28 | | 1 | | | | |
| 119 | 416535-5 | SLEEVE 17 | | 1 | | | | |
| 120 | 265790-4 | THUMB SCREW M6X28 | | 1 | | | | |
| 121 | 231325-3 | COMPRESSION SPRING 6 | | 1 | | | | |
| 122 | 257214-4 | RING 26 | | 1 | | | | |
| 123 | 318651-8 | PIPE HOLDER | | 1 | | | | |
| 124 | 266208-8 | H.S.SET SCREW(CUP POINT)M6X8 | | 2 | | | | |
| 127 | 687045-1 | STRAIN RELIEF | | 1 | | | | |
| 128 | 266026-4 | TAPPING SCREW BIND CT 4X12 | | 1 | | | | |
| 129 | 911113-1 | PAN HEAD SCREW M4X10 | | 1 | | | | |
| 130 | 416006-2 | LEVER 100 | | 1 | | | | |
| 131 | 913106-4 | SET SCREW M4X8 | | 1 | | | | |
| 132 | 252144-4 | HEX. NUT M10-17 | | 1 | | | | |
| 133 | 231266-3 | COMPRESSION SPRING 5 | | 1 | | | | |
| 134 | 253024-7 | FLAT WASHER 10 | | 1 | | | | |
| 135 | 286236-7 | CAP 16 | | 1 | | | | |
| 136 | 140609-7 | ARM COMPLETE | | 1 | | | | |
| C10 | 211376-2 | LINEAR BALL BEARING 2560 | | 2 | | | | |
| C20 | 262077-5 | FELT RING 25 | | 4 | | | | |
| C30 | 263005-3 | RUBBER PIN 6 | | 2 | | | | |
| C40 | 344638-4 | CAP 35 | | 2 | | | | |
| 137 | 324295-4 | RELEASE PIN | | 1 | | | | |
| 138 | 266757-5 | HEX. SOCKET HEAD BOLT M6X16 | | 2 | | | | |

Model No. DLS714 DC SLIDE COMPOUND MITER SAW

| Item | Parts No. | Description | I/C | Qty | N/O | Sales | Purch. | Note |
|------|-----------|--------------------------------|-----|-----|-----|-------|--------|------|
| 139 | 345299-3 | STOPPER PLATE | | 1 | | | | |
| 140 | 253726-5 | FLAT WASHER 6 | | 1 | | | | |
| 141 | 231663-3 | TORSION SPRING 8 | | 1 | | | | |
| 142 | 265113-6 | +PAN HEAD SCREW M5 | | 1 | | | | |
| 143 | 343678-9 | POINTER | | 1 | | | | |
| 144 | 266026-4 | TAPPING SCREW BIND CT 4X12 | | 1 | | | | |
| 145 | 140608-9 | FRONT ARM COMPLETE | | 1 | | | | |
| 146 | 344643-1 | STOPPER ARM | | 1 | | | | |
| 147 | 253948-7 | WAVE WASHER 8 | | 1 | | | | |
| 148 | 253835-0 | FLAT WASHER 8 | | 1 | | | | |
| 149 | 251267-5 | + PAN HEAD SCREW M6 | | 1 | | | | |
| 150 | 251961-9 | H.S.SET SCREW(FLAT POINT)M6X10 | | 1 | | | | |
| 151 | 251961-9 | H.S.SET SCREW(FLAT POINT)M6X10 | | 1 | | | | |
| 152 | 271601-3 | KNOB 20 | | 1 | | | | |
| 153 | 213021-5 | O RING 5 | | 1 | | | | |
| 154 | 324183-5 | STOPPER PIN | | 1 | | | | |
| 155 | 331350-5 | PIN 16-90 | | 1 | | | | |
| 156 | 140610-2 | ARM HOLDER COMPLETE | | 1 | | | | |
| C10 | 816392-5 | BEVEL SCALE LABEL | | 1 | | | | |
| 157 | 256123-4 | PIN 5 | | 1 | | | | |
| 158 | 266320-4 | SCREW M10 | | 1 | | | | |
| 159 | 253024-7 | FLAT WASHER 10 | | 1 | | | | |
| 160 | 216413-7 | THRUST NEEDLE CAGE 1024 | | 1 | | | | |
| 161 | 253024-7 | FLAT WASHER 10 | | 1 | | | | |
| 162 | 252130-5 | HEX. LOCK NUT M10-17 | | 1 | | | | |
| 163 | 257214-4 | RING 26 | | 1 | | | | |
| 164 | 265790-4 | THUMB SCREW M6X28 | | 1 | | | | |
| 165 | 252105-4 | HEX. LOCK NUT M8-13 | | 1 | | | | |
| 166 | 253731-2 | FLAT WASHER 8 | | 1 | | | | |
| 167 | 416355-7 | INDICATION PLATE | | 1 | | | | |
| 168 | 266026-4 | TAPPING SCREW BIND CT 4X12 | | 1 | | | | |
| 169 | 266026-4 | TAPPING SCREW BIND CT 4X12 | | 2 | | | | |
| 170 | 266026-4 | TAPPING SCREW BIND CT 4X12 | | 2 | | | | |
| 171 | 419103-3 | KERF BOARD | | 1 | | | | |
| 172 | 419103-3 | KERF BOARD | | 1 | | | | |
| 173 | 140614-4 | TURN BASE COMPLETE | | 1 | | | | |
| C10 | 211376-2 | LINEAR BALL BEARING 2560 | | 2 | | | | |
| C20 | 262077-5 | FELT RING 25 | | 4 | | | | |
| C30 | 263005-3 | RUBBER PIN 6 | | 1 | | | | |
| C40 | 344638-4 | CAP 35 | | 2 | | | | |
| C50 | 810495-7 | CAUTION LABEL | | 1 | | | | |
| C60 | 817283-3 | CAUTION LABEL | | 2 | | | | |
| 174 | 922111-0 | HEX. SOCKET HEAD BOLT M4X10 | | 1 | | | | |
| 175 | 153580-6 | SQUARE ROD COMPLETE | | 1 | | | | |
| C10 | 263005-3 | RUBBER PIN 6 | | 1 | | | | |
| 176 | 925251-3 | HEX.BOLT M5X30 | | 2 | | | | |
| 177 | 266034-5 | TAPPING SCREW CT 4X16 | | 2 | | | | |
| 178 | 344601-7 | LOCK PLATE | | 1 | | | | |

