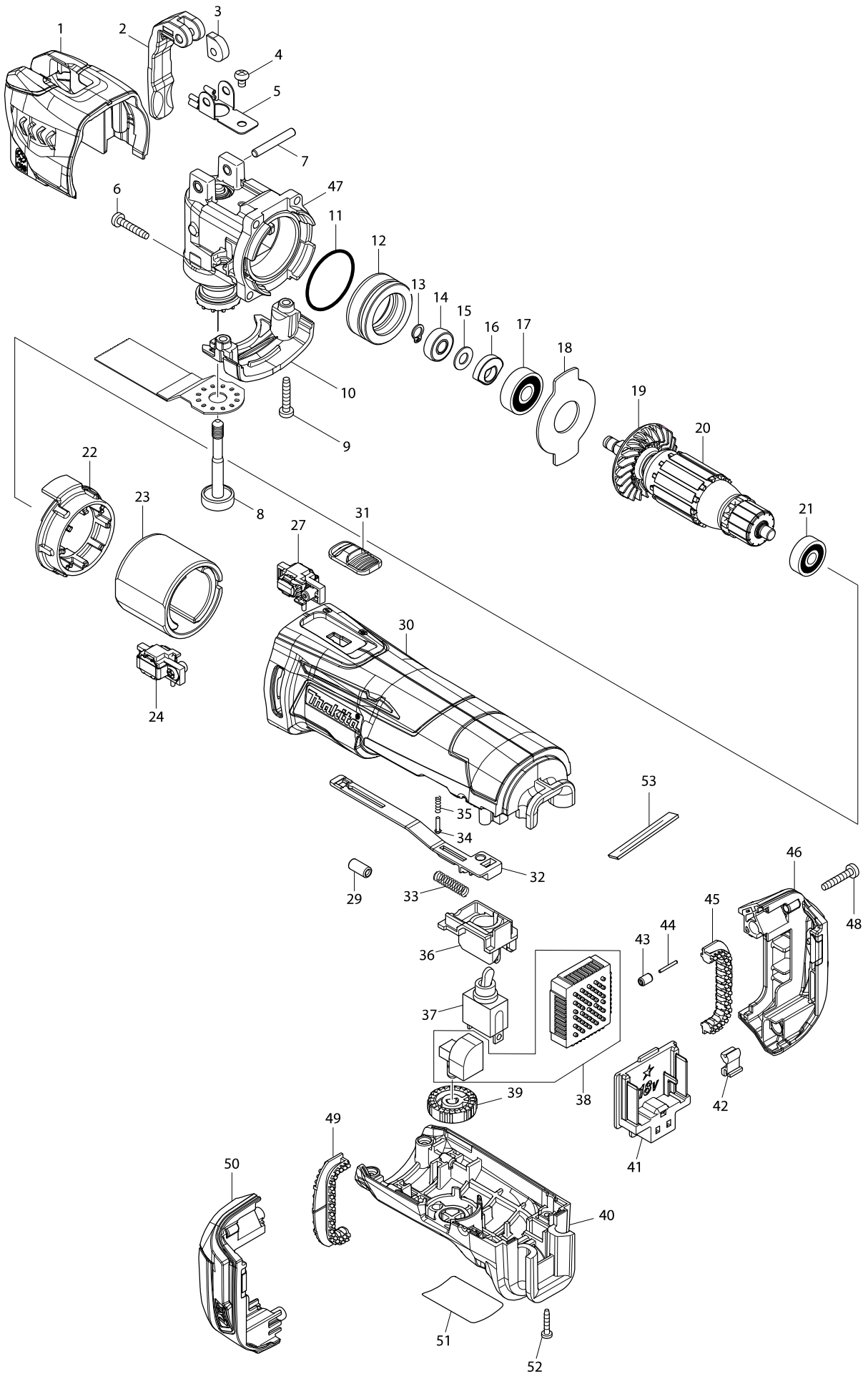


# Model No. DTM51 CORDLESS MULTI TOOL



# Model No. DTM51 CORDLESS MULTI TOOL

Item	Parts No.	Description	I/C	Qty	N/O	Sales	Purch.	Note
001	455272-6	UPPER HEAD COVER		1				
002	319059-9	LEVER		1				
003	313268-2	TURN BLOCK		1				
004	911102-6	PAN HEAD SCREW M4X6		1				
005	232282-8	LEAF SPRING		1				
006	266424-2	TAPPING SCREW 4X20		4				
007	268306-4	PIN 5		1				
008	326409-1	HOLDER BOLT		1				
009	266424-2	TAPPING SCREW 4X20		2				
010	454635-3	LOWER HEAD COVER		1				
011	213343-3	O RING 35		1				
012	326347-7	BEARING BOX		1				
013	961003-8	RETAINING RING S-7		1				
014	211392-4	SPHERE BEARING 706		1				
015	253133-2	FLAT WASHER 7		1				
016	313245-4	BALANCER		1				
017	211092-6	BALL BEARING 629DDW		1				
018	285857-2	BEARING RETAINNER		1				
019	240140-4	FAN 46		1				
020	519338-7	ARMATURE ASS'Y 18V		1				
D10		INC. 19,21						
021	210023-2	BALL BEARING 627DDW		1				
022	455017-2	BUFFLE PLATE		1				
023	632B69-4	YOKE UNIT		1				
024	632B88-0	BRUSH HOLDER COMPLETE		1				
027	632B89-8	BRUSH HOLDER COMPLETE		1				
030	455013-0	MOTOR HOUSING		1				
031	455016-4	SWITCH KNOB		1				
032	455015-6	SWITCH LEVER		1				
033	234263-8	COMPRESSION SPRING 5		1				
034	255058-6	RIVET 2		1				
035	233002-3	COMPRESSION SPRING 3		1				
036	455018-0	SWITCH CASE		1				
037	651423-1	SWITCH		1				
038	620270-1	CONTROLLER		1				
039	271617-8	DIAL 28		1				
040	142553-4	HANDLE COVER COMPLETE		1				
C10	263005-3	RUBBER PIN 6		3				
041	643852-2	TERMINAL		1				
042	424476-1	CUSHION		1				
043	263036-2	RUBBER PIN 5		1				
044	268184-2	PIN 1.5		1				
045	424473-7	CUSHION RUBBER		1				
046	187848-8	BATTERY HOUSING SET		1				
C10	263005-3	RUBBER PIN 6		2				
D10		INC. 50						
047	142502-1	CRANK HOUSING COMPLETE		1	*			
047-1	143250-5	CRANK HOUSING COMPLETE	<	1				

# Model No. DTM51 CORDLESS MULTI TOOL

Item	Parts No.	Description	I/C	Qty	N/O	Sales	Purch.	Note
048	266424-2	TAPPING SCREW 4X20		2				
049	424473-7	CUSHION RUBBER		1				
050	187848-8	BATTERY HOUSING SET		1				
C10	263005-3	RUBBER PIN 6		2				
D10		INC. 46						
051	815M50-8	DTM51 NAME PLATE		1				
052	266429-2	TAPPING SCREW 3X16		4				
053	423404-3	SPONGE SHEET		1				
A01A	***DC18RC	DC18RC FAST CHARGER		1				
A01B	196272-4	ADAPTER A SET		1				
A01C	***DC18RC	DC18RC FAST CHARGER		1				
A02A	194204-5	BATTERY BL1830 SET		2	*			
A02B	B-21325	SEGMENT SAW BLADE 85 TMA006		1				
A02C	196399-0	BATTERY BL1840 SET		2	*			
A02-1A	194204-5	BATTERY BL1830 SET	O	2				
A02-1C	196399-0	BATTERY BL1840 SET	O	2	*			
A02-2C	197265-4	BATTERY BL1840B SET	<	2				
A03A	450128-8	BATTERY COVER		1				
A03B	B-21353	PLUNGE CUT SAW BLADE 28 TMA009		1				
A03C	450128-8	BATTERY COVER		1				
A04A	821608-5	PLASTIC CARRYING CASE		1				
C10	162302-3	LATCH		2				
A04B	B-21537	SANDING PAD		1				
A04C	821608-5	PLASTIC CARRYING CASE		1				
C10	162302-3	LATCH		2				
A05A	196272-4	ADAPTER A SET		1				
A05B	142257-8	TOOL BOX COMPLETE		1	*			
C10	454652-3	LATCH		1	*			
A05C	196272-4	ADAPTER A SET		1				
A05-1B	143308-0	TOOL BOX COMPLETE WITH LABEL	O	1				
C10	454652-3	LATCH		1				
A06A	B-21325	SEGMENT SAW BLADE 85 TMA006		1				
A06C	B-21325	SEGMENT SAW BLADE 85 TMA006		1				
A07A	B-21353	PLUNGE CUT SAW BLADE 28 TMA009		1				
A07C	B-21353	PLUNGE CUT SAW BLADE 28 TMA009		1				
A08A	B-21537	SANDING PAD		1				
A08C	B-21537	SANDING PAD		1				
A09A	142257-8	TOOL BOX COMPLETE		1	*			
C10	454652-3	LATCH		1	*			
A09C	142257-8	TOOL BOX COMPLETE		1	*			
C10	454652-3	LATCH		1	*			
A09-1A	143308-0	TOOL BOX COMPLETE WITH LABEL	O	1				
C10	454652-3	LATCH		1				
A09-1C	143308-0	TOOL BOX COMPLETE WITH LABEL	O	1				
C10	454652-3	LATCH		1				